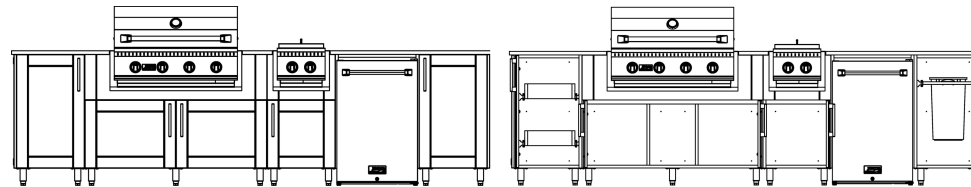




Outdoor Kitchen Owner's Manual & Install Guide



Cabinets - Countertops - Appliances

Model #	Description	Width	Height	Depth
B1827FH	18" Full Height Base Cabinet	18"	34 1/2"	27"
ROTK18-FG	18" Base w/ Rollout Tray Kit	18"	34 1/2"	27"
GB4827	48" Grill Base Cabinet	48"	34 1/2"	27"
GB1827	18" Grill/Side Burner Base	18"	34 1/2"	27"
RBK2230	22" Refrigerator Backer	22"	30"	5 1/8"
B1827FH	18" Full Height Base Cabinet	18"	34 1/2"	27"
TPOK18-FG	18" Base w/ Trash Pullout	18"	34 1/2"	27"
CTL-JUPL1-GF	Glacier Frost Countertop 1 Left	26 3/4"	1"	29 1/2"
CTL-JUPU2-GF	Glacier Frost Countertop 2	50 1/2"	1"	7 3/8"
CTL-JUPR8-GF	Glacier Frost Countertop 8	66 3/4"	1"	29 1/2"
JUPG324-LP/NG	32" 4-Burner Jupiter Grill	34.7"	21.3"	26.2"
JUPDSB-LP/NG	15" Jupiter Double Side Burner	14.9"	11.4"	26.2"
JUPR130	4.1 cu. ft. Jupiter Refrigerator	21.26"	33.27"	21.26"

Important! All gas hookups, including conversions from propane to natural gas, must be performed by a licensed plumber. Attempting this work without a qualified professional can result in serious injury or death. Always verify and comply with local building and venting code requirements before installation.

Table of Contents

B1827FH - 18" Full Height Base Cabinet	3
ROTK18-FG - 18" Base w/ Rollout Tray Kit	17
GB4827 - 48" Grill Base Cabinet	24
GB1827 - 18" Grill/Side Burner Base	40
B1827FH (cont.) - 18" Full Height Base Cabinet	56
TPOK18-FG - 18" Base w/ Trash Pullout	70
Steps for Successful Installation	76
Tools Required	77
Island Configurations	78
Installation and Care	82

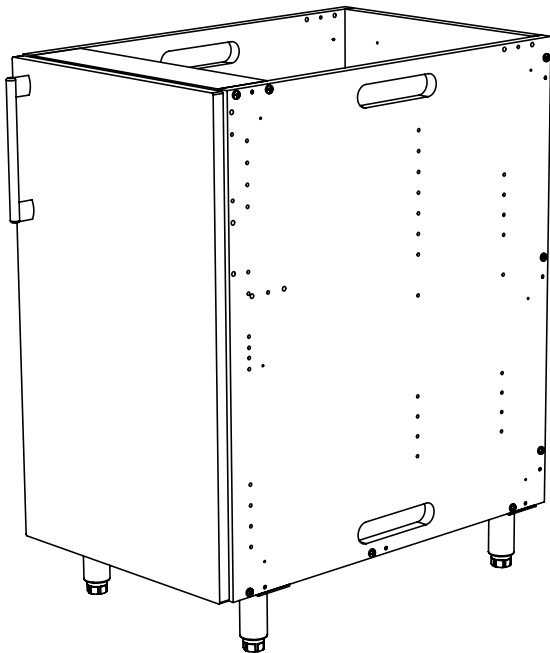
Assembly Instructions – B1827FH

18" wide x 27" deep Full Height Base Cabinet

Requires:	Description:
1 – C1	18" wide Base Cabinet Panel Kit
1 - D1	Door & Back Panel Pack - HDPE
1 - E1	Cabinet End Panel Pack - 1-Pair
1 - K1	Assembly Hardware & Legs Kit 01



For assistance visit
Weatherstrong.com
 888-845-0004



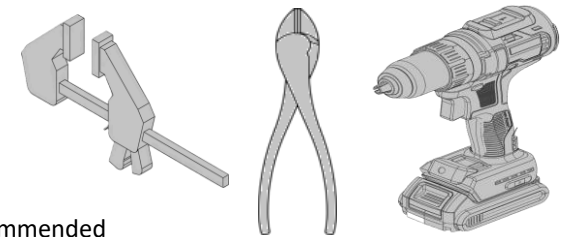
Before you start assembly, inspect all Panels and hardware to ensure nothing is damaged and that you have everything required.

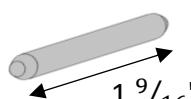
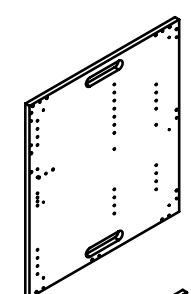
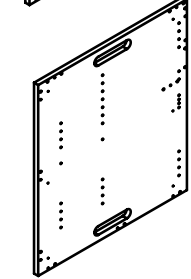
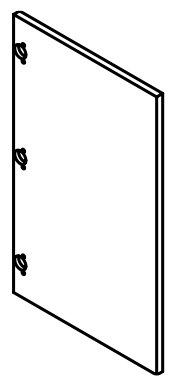
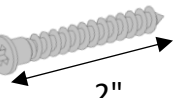
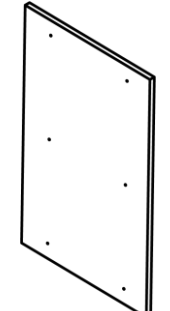
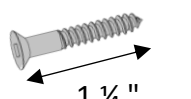
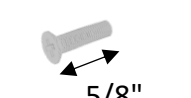
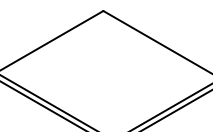

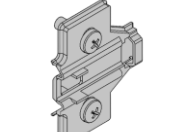
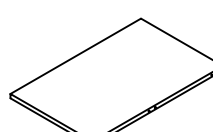
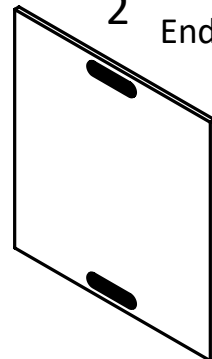
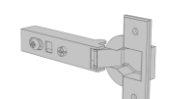
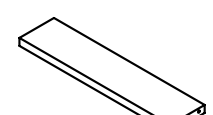
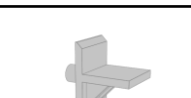
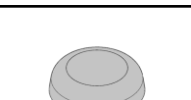
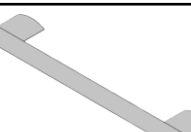

We recommend laying the components on the provided packaging to protect the finish when assembling.

Required Tools

- Electric Drill with Phillips and Square bit
- Wire Cutters
- 9/64" Drill bit
- Tape Measure
- 2 x C-Clamp

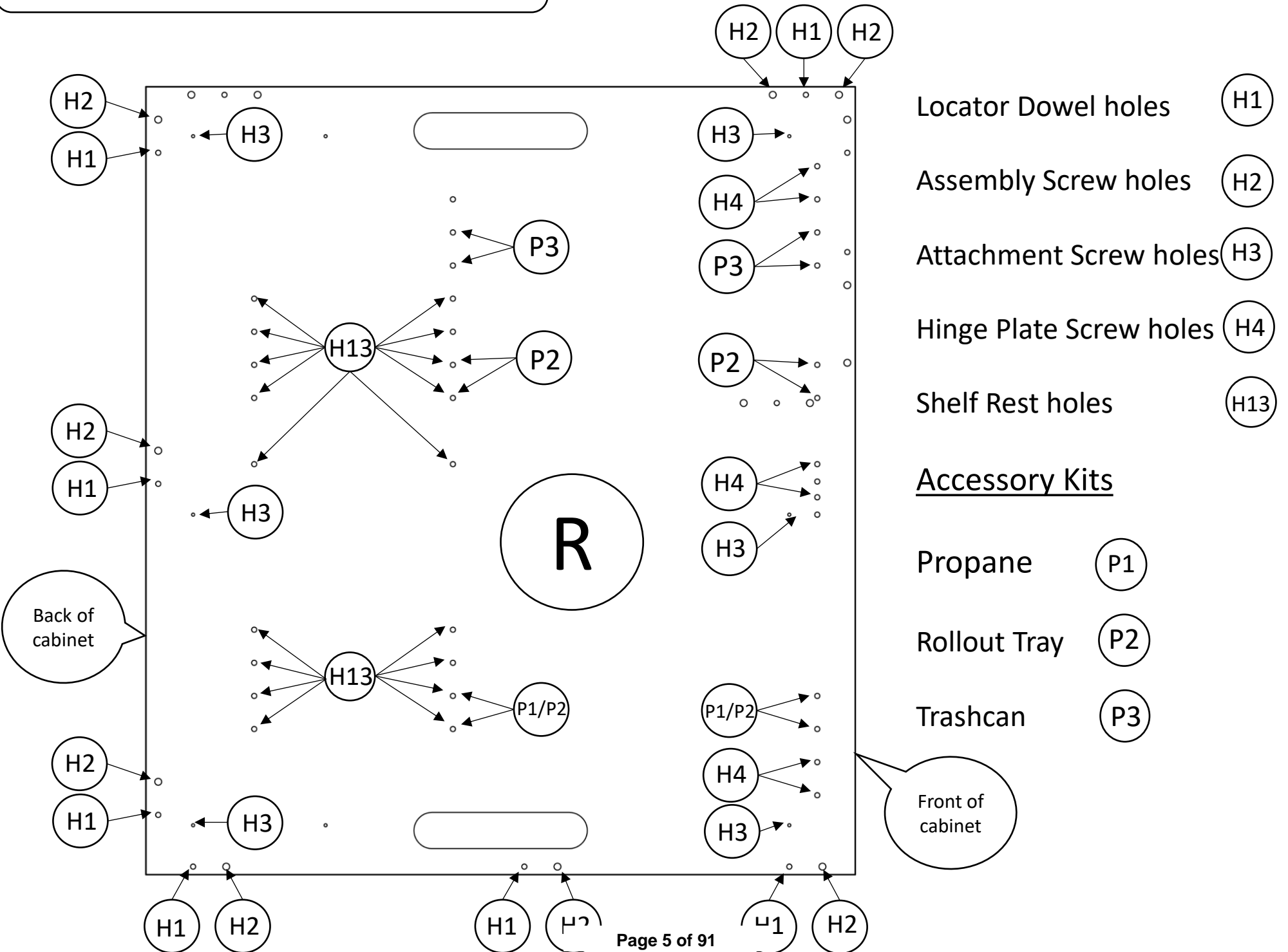
CAUTION : Safety glasses and gloves recommended



Hardware KIT K1				Cabinet Kit Pack E1				Finish Kit Pack D1							
Picture	Qty	Item	Item ID	Picture	Qty	Item	Item ID	Picture	Qty	Item	Item ID				
	14	Locator Dowel	(H1)	 	1	End Panel Left	(L)		1	Door	(I)				
	16	Assembly Screw	(H2)		1	End Panel Right	(R)			1	Matching Back Panel	(J)			
	20	Attachment Screw	(H3)		Cabinet Kit PACK C1					PACK B1 – (Optional)					
	6	Hinge Screw	(H6)			2	Adjustable Shelf	(A)						1	Back Panel
	3	Hinge Plate (with pre-mounted screws)	(H4)		1	Fixed Shelf	(F)		2					Matching End Panel	(P)
	3	Soft Close Hinge	(H5)		1	Top Rail	(C)								
	8	Shelf Rest	(H13)												
	2	Door Bumper	(H7)												
	1	Door Handle Kit	(H9)												
	2	Cabinet Leg 2PK	(H10)												

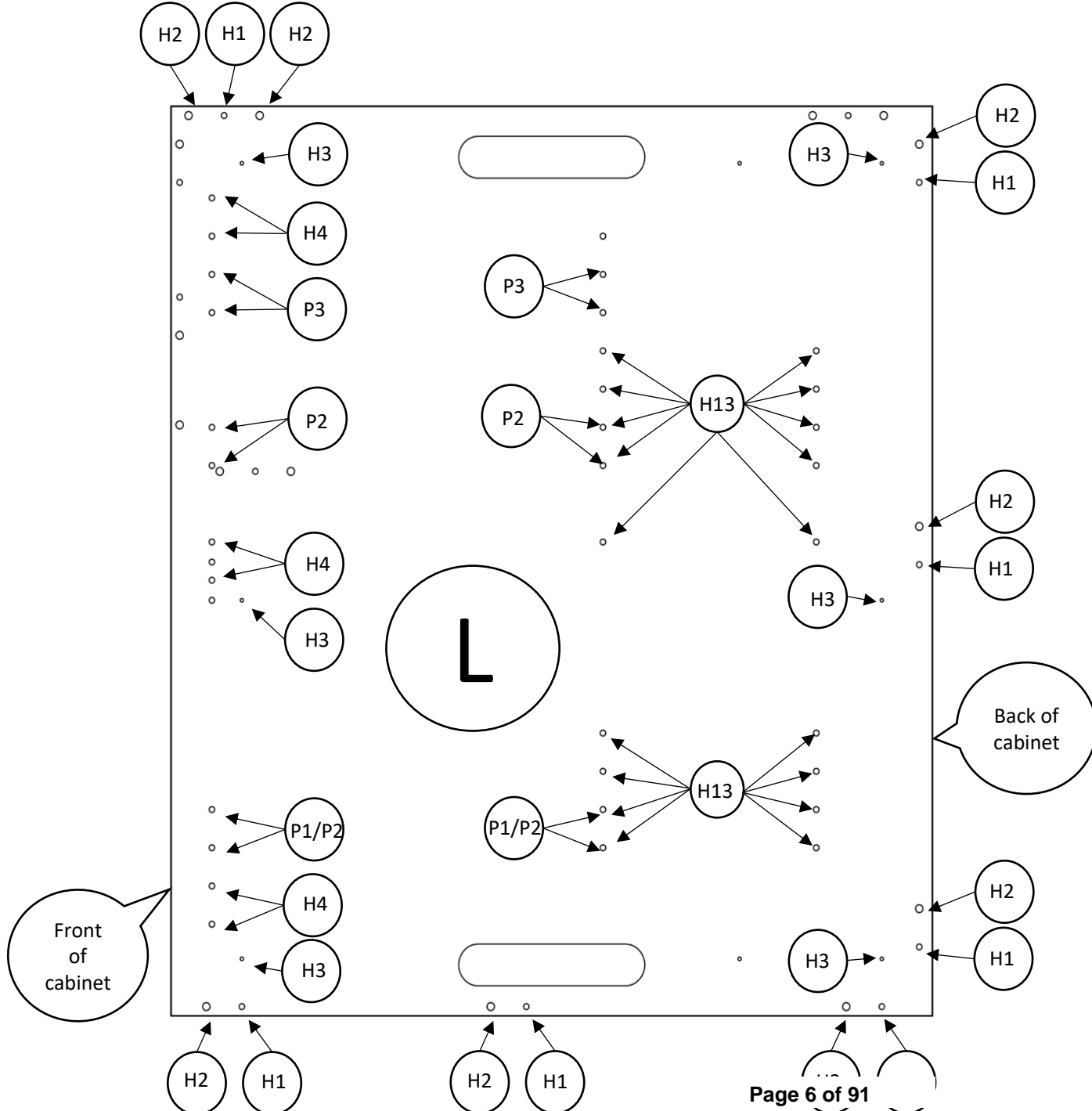
Hole Assignments: Pack E1

Hole Assignments – Right End Panel



Hole Assignments: Pack E1

Hole Assignments – Left End Panel



- Locator Dowel holes (H1)
- Assembly Screw holes (H2)
- Attachment Screw holes (H3)
- Hinge Plate Screw holes (H4)
- Shelf Rest holes (H13)
- Accessory Kits
- Propane (P1)
- Rollout Tray (P2)
- Trashcan (P3)

STEP 1

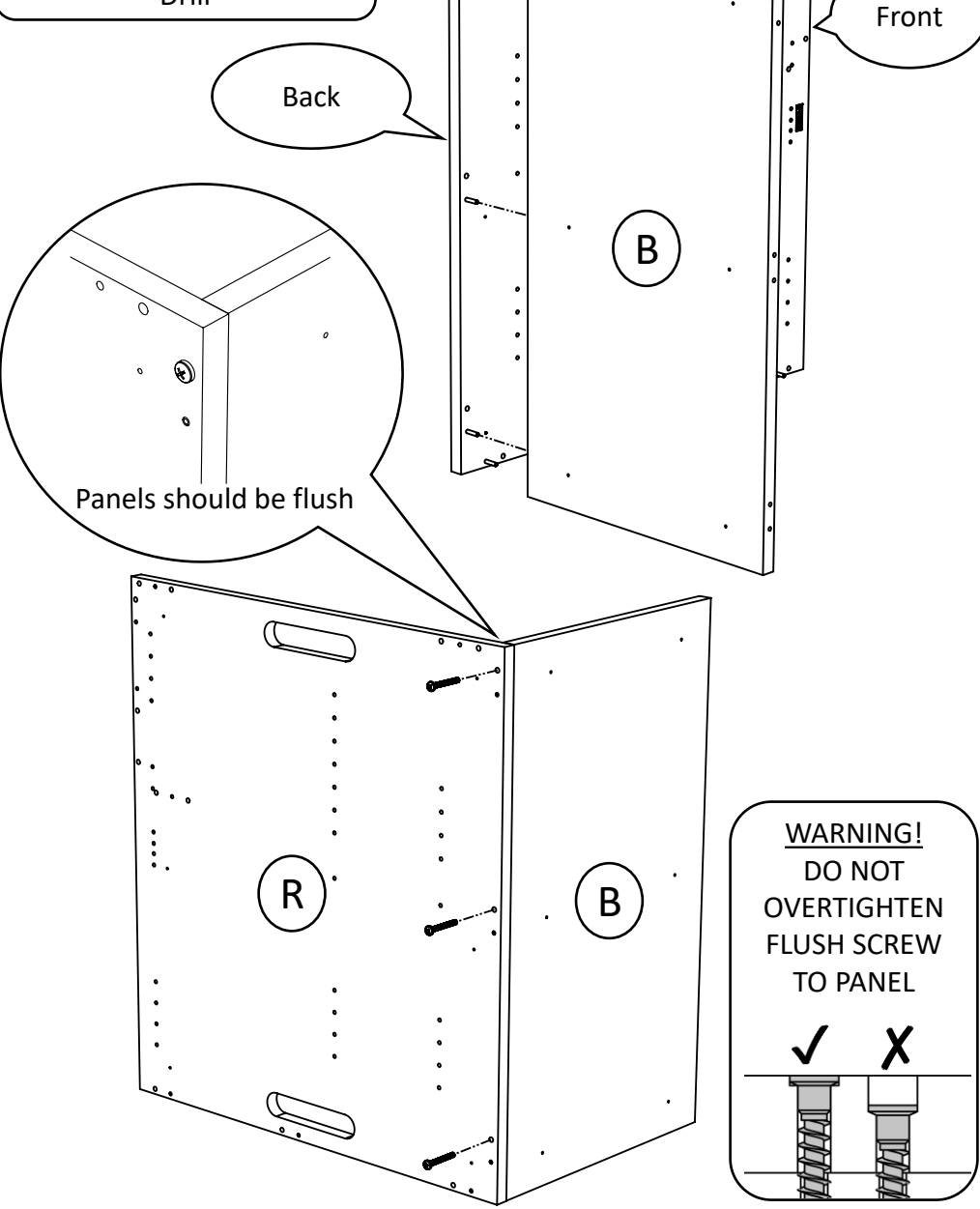
REQUIRES
14 x Dowels (H1)



Lay **Panel (R)** and **(L)** on a flat surface and insert **Locator Dowel (H1)** in the correct locator dowel holes. Reference pages 3 and 4.

STEP 2

REQUIRES
3 x Assembly screws (H2)
Drill

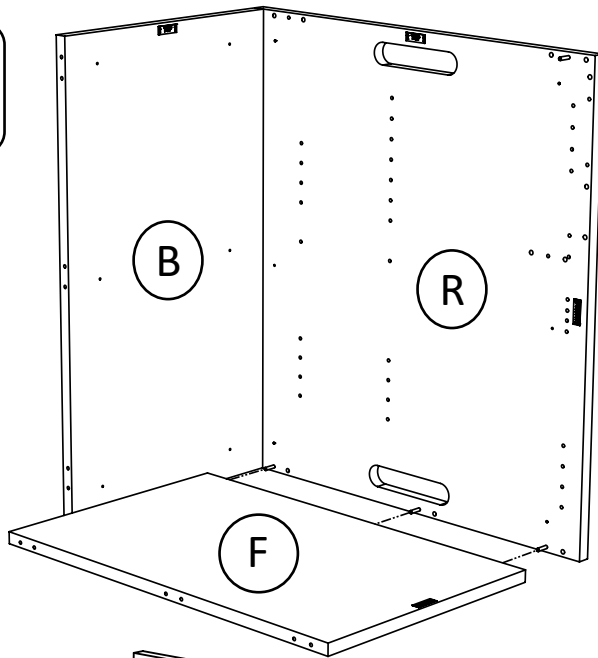


Insert the 3 **Locator Dowels** along the back edge of **Panel (R)** into the locator dowel holes on the side of **Panel (B)**. Using the drill and 3 **Assembly screws (H2)** screw **Panel (R)** to **Panel (B)**. If **Panel (B)** is not flush or inset with the edge of **Panel (R)** rotate **Panel (B)** 180 degrees.

STEP 3

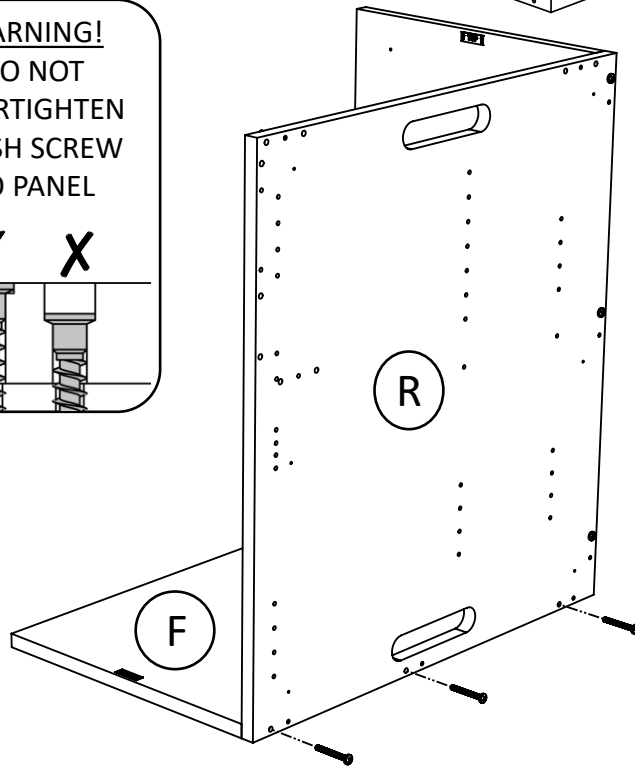
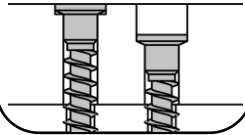
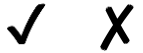
REQUIRES

3 x Assembly screw (H2)
Drill



WARNING!

DO NOT
OVERTIGHTEN
FLUSH SCREW
TO PANEL

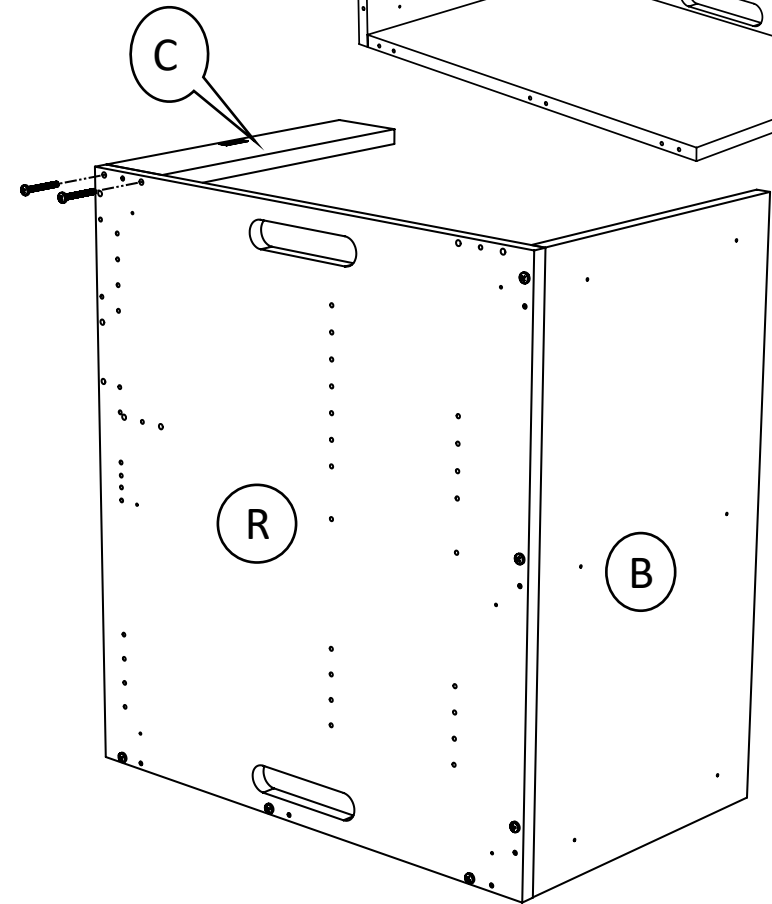
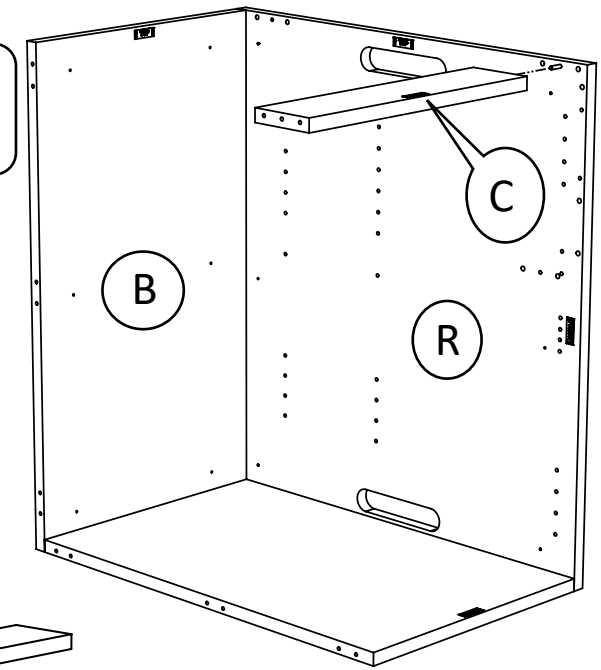


Insert the 3 **Locator Dowels** on the bottom of **Panel (R)** into the locator dowel holes on the side of **Panel (F)**. Using the drill and 3 **Assembly screws (H2)** screw **Panel (R)** to **Panel (F)**.

STEP 4

REQUIRES

2 x Assembly screws (H2)
Drill

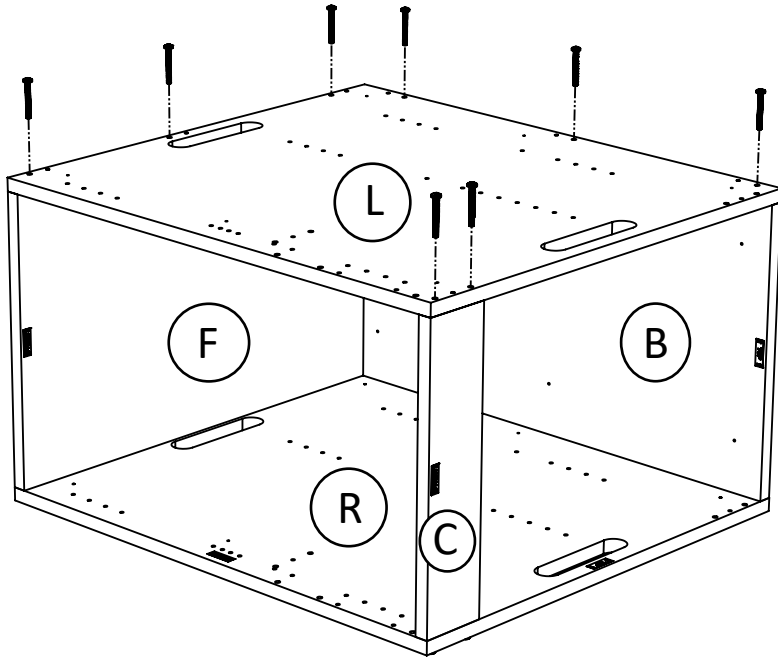
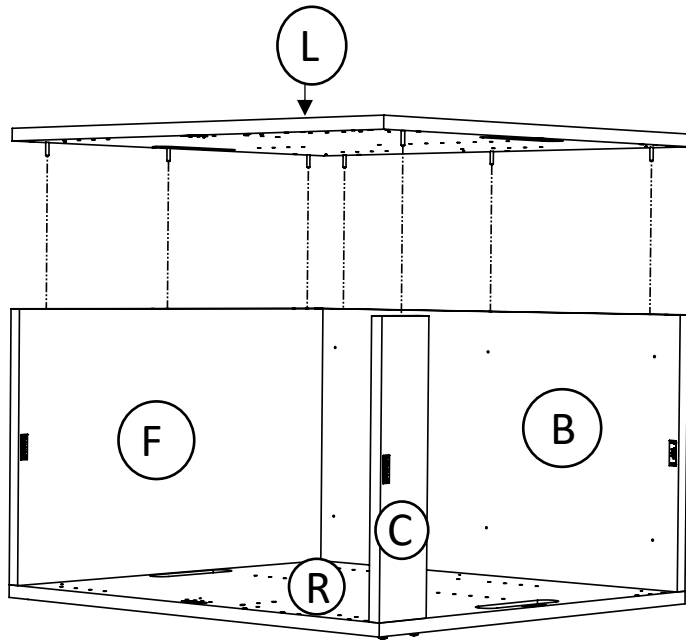
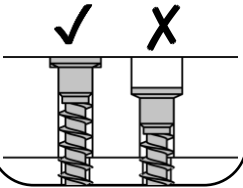


Insert the **Locator Dowel (H1)** on the top right of **Panel (R)** into the dowel hole on **Panel (C)**. Using the drill and 2 **Assembly screws (H2)** screw **Panel (R)** to **Panel (C)**.

STEP 5

REQUIRES
8 x Assembly
screws (H2)
Drill

WARNING!
DO NOT
OVERTIGHTEN
FLUSH SCREW
TO PANEL

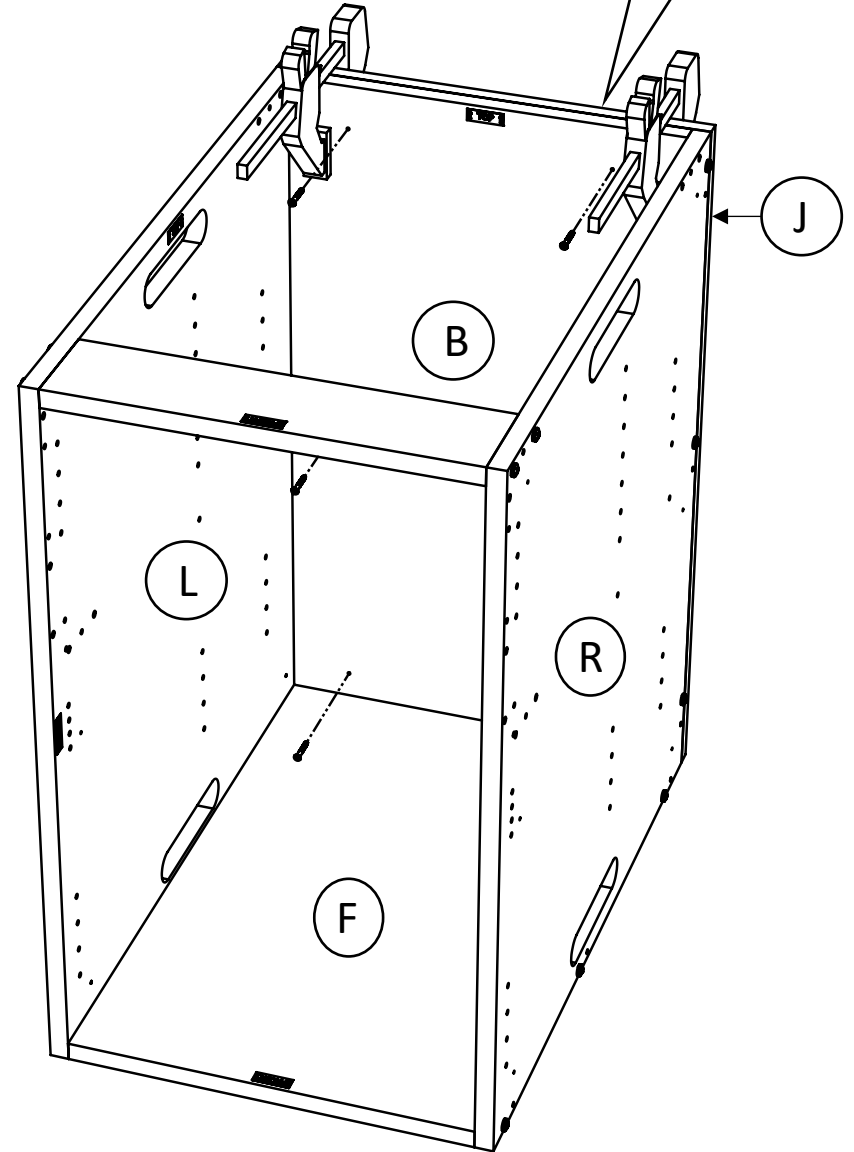


Insert the Locator Dowels on **Panel (L)** into the locator dowel holes on the sides of **Panels (F), (C), and (B)**. Using the drill and 8 **Assembly Screws (H2)** screw **Panel (L)** to **Panels (F), (C), and (B)**.

STEP 6

REQUIRES
6 x Attachment
Screws (H3)
Drill

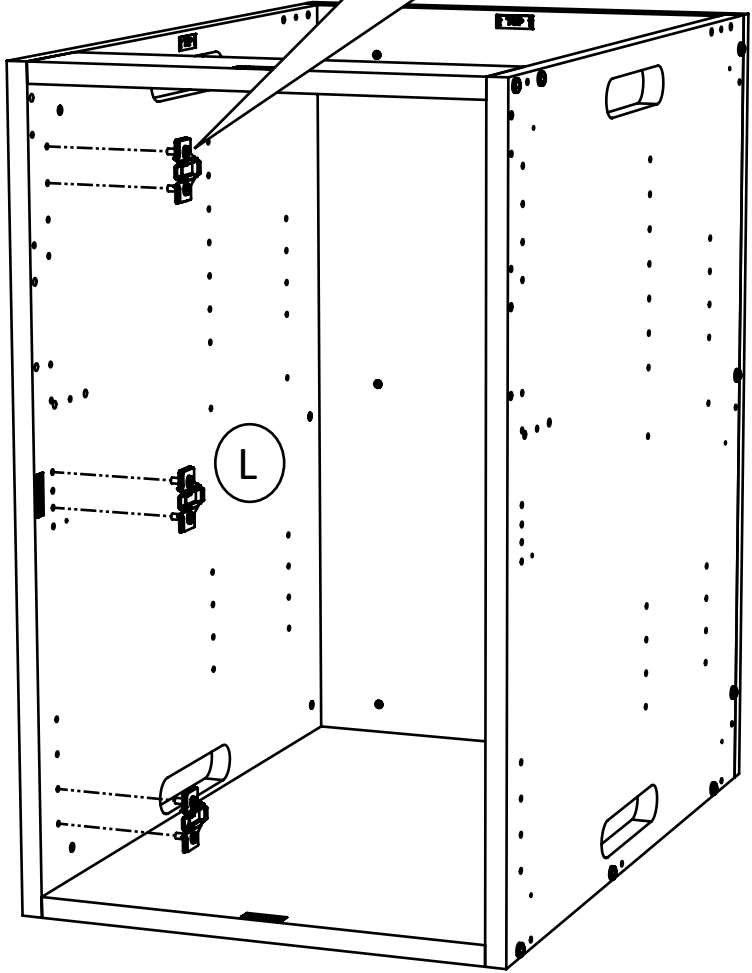
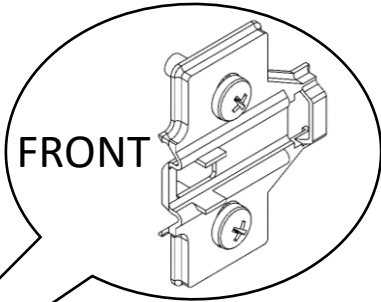
Back Panel J
Flush with
sides



Align **Panel (J)** with the back of the cabinet, ensure sides of **Panel (J)** are flush with sides of the cabinet. Using the Drill and 6 **Attachment Screws (H3)** attach **Panel (B)** to **Panel (J)**.

STEP 7

REQUIRES
3 x Hinge Plate (H4)
Drill

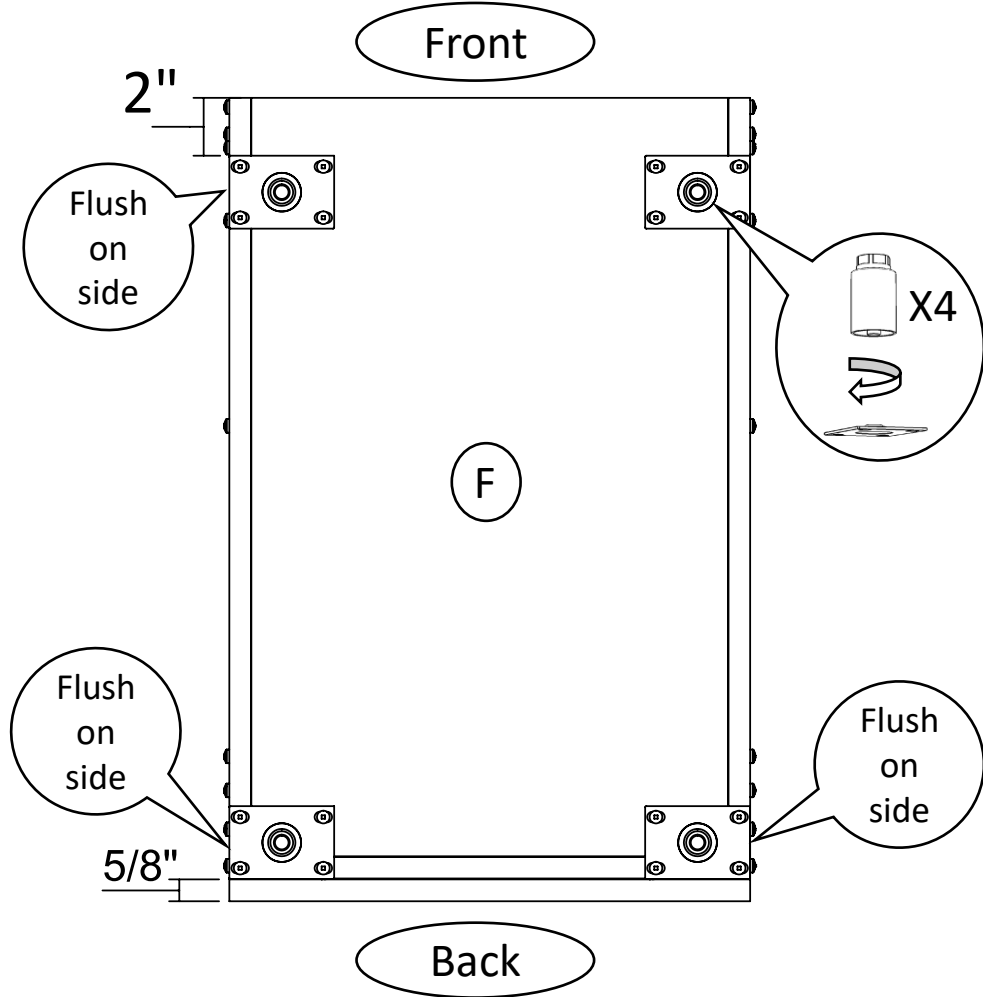


Using the drill screw 3 **Hinge plates** (H4) into the correct hinge plate holes. Hinge plates can be attached to either side depending on which way you want the door to open. Reference hole assignment on page 3 or 4.

STEP 8

REQUIRES
2 x Cabinet Leg packs (H10)
Drill

Pro Tip: Make sure the adjustable end of each leg is loose before standing the cabinet upright. This will make leveling the cabinets easier.



Cabinet Leg Pack (H10) consists of 2 cabinet legs, 2 cabinet leg plates and 8 screws. Screw front cabinet leg plates onto the cabinet 2 inches from the front, and flush to the sides. Screw back cabinet leg plates onto the cabinet 5/8 of an inch from the back and flush to the sides. Now, screw on the 4 adjustable legs.

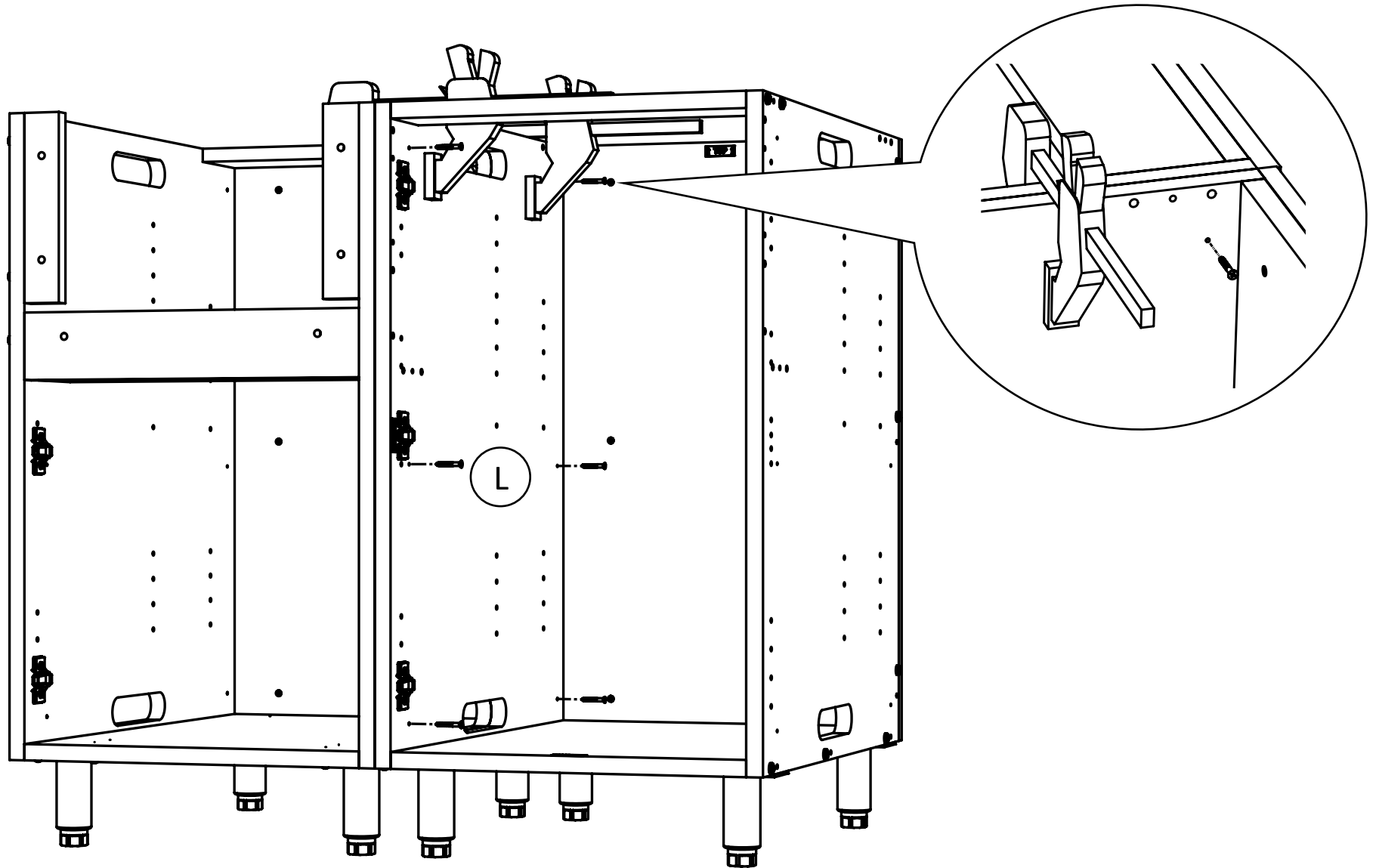
STEP 9 (Depends on location of cabinet)

REQUIRES

6 x Attachment Screws (H3)

Drill

Option A: Joining Cabinets Together



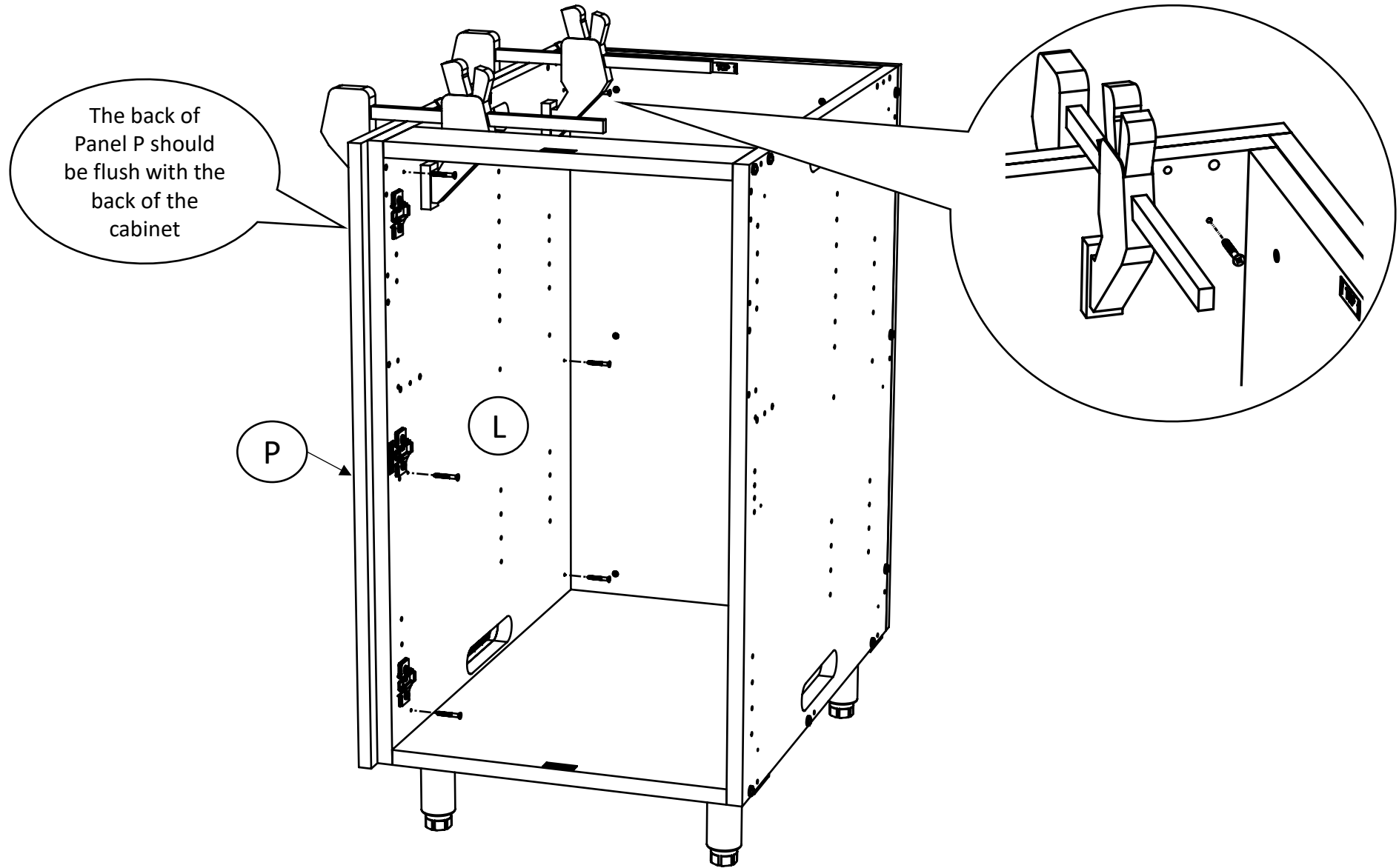
Option A: Screwing Cabinets Together – align the **Attachment Screw** holes in each cabinet and using the Drill and 6 **Attachment Screws** (H3) screw the cabinets together. C-clamps are recommended to secure the **Panels** together while attaching.

STEP 9 (Depends on location of cabinet)

REQUIRES

6 x Attachment Screws (H3)
Drill

Option B: Applying A Finished End

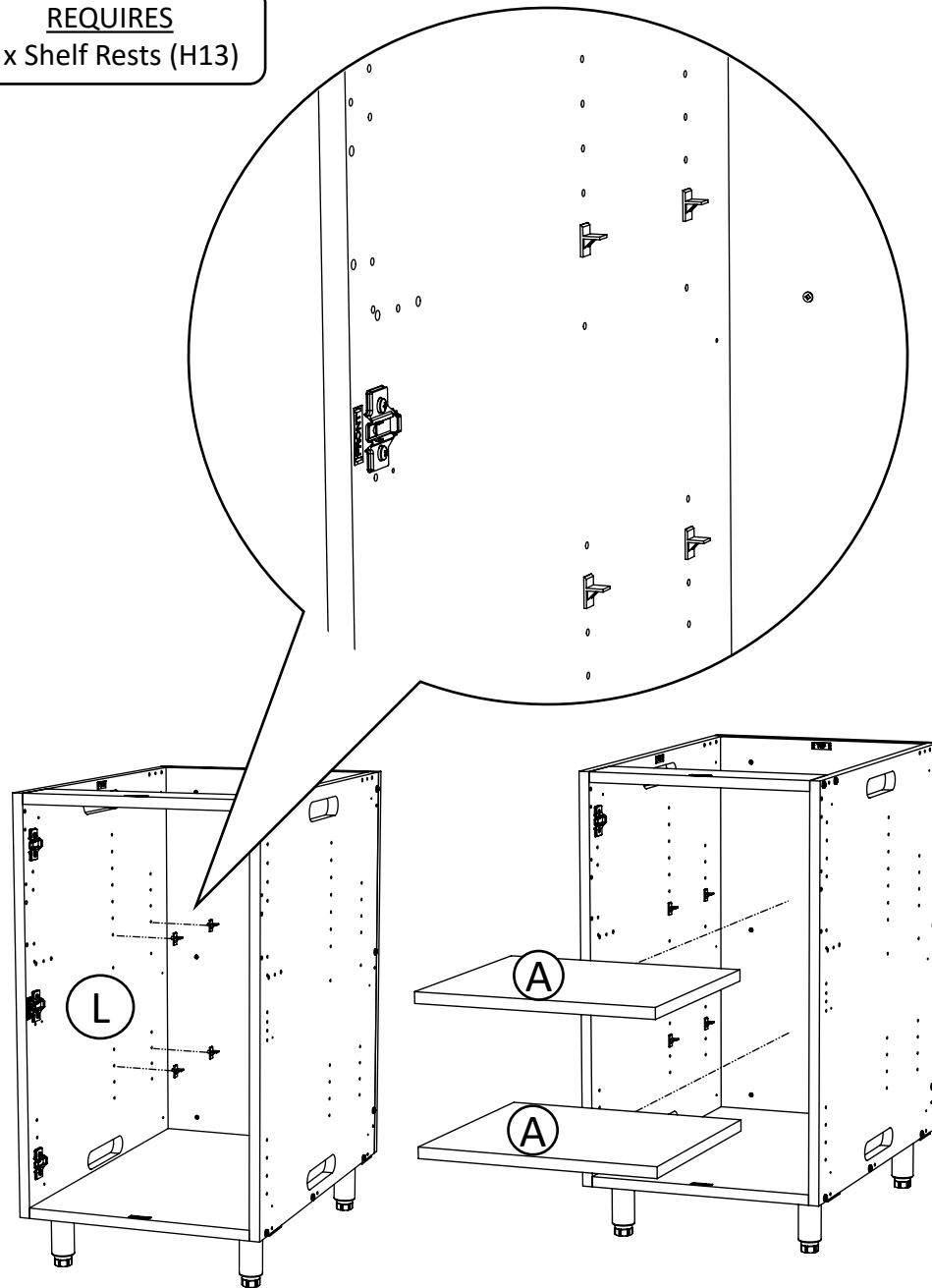


Option B: Applying Finished End – align **Panel (P)** to **Panel (L)** or **Panel (R)**, ensure **Panel (P)** is flush to the back of **Panel (J)**. Using the **Drill** and 6 **Attachment Screws (H3)** screw **Panel (L)** or **(R)** to **Panel (P)**. You may wish to use a C-clamp to secure panels in place while attaching. The back edge of **Finished End (P)** should be flush with Panel (J). The front edge will protrude in front of the cabinet until the doors are installed.

STEP 10

REQUIRES

8 x Shelf Rests (H13)



Insert 4 **Shelf Rests** (H13) into **Panel (L)** and 4 **Shelf Rests** (H13) into **Panel (R)** at desired heights. Then set **Panels (A)** onto the **Shelf Rests**.

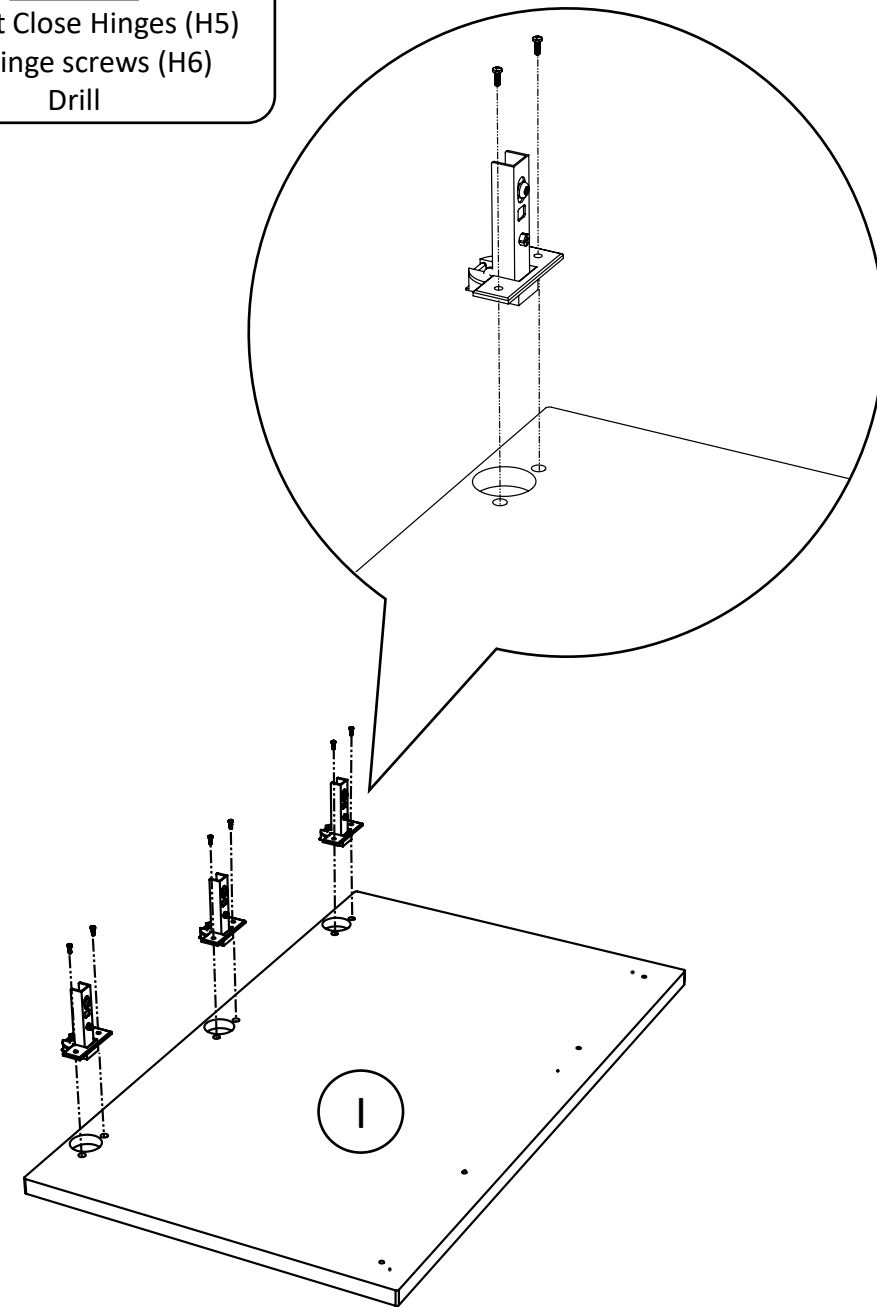
STEP 11

REQUIRES

3 x Soft Close Hinges (H5)

6 x Hinge screws (H6)

Drill



Lay **Door (I)** face down on a flat surface with hinge holes facing up. Insert 3 **Soft Close Hinges** (H5) into **Door (I)** making sure screw holes align. Using the **Drill** and 6 **Hinge Screws** (H6) attach the hinges.

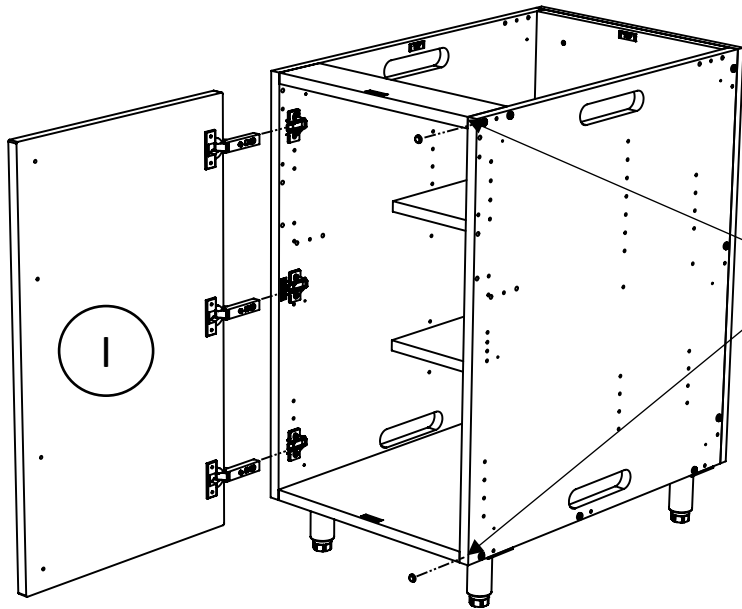
STEP 12

REQUIRES

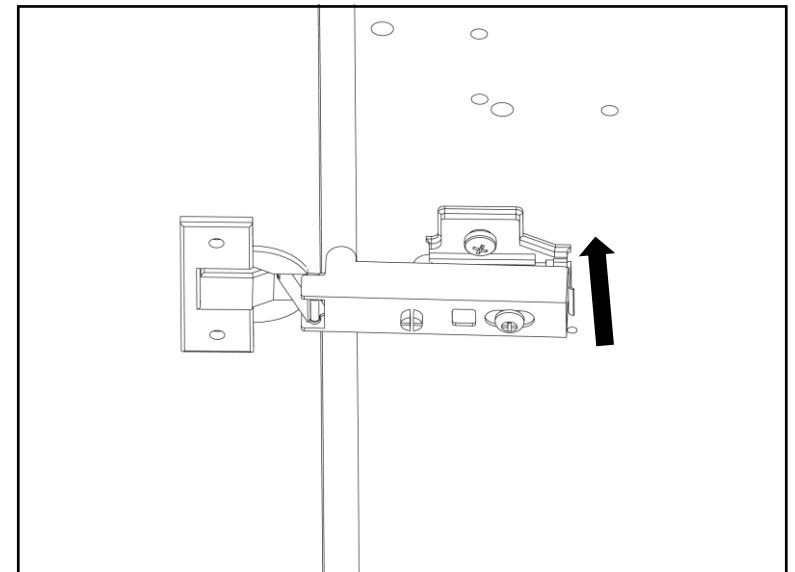
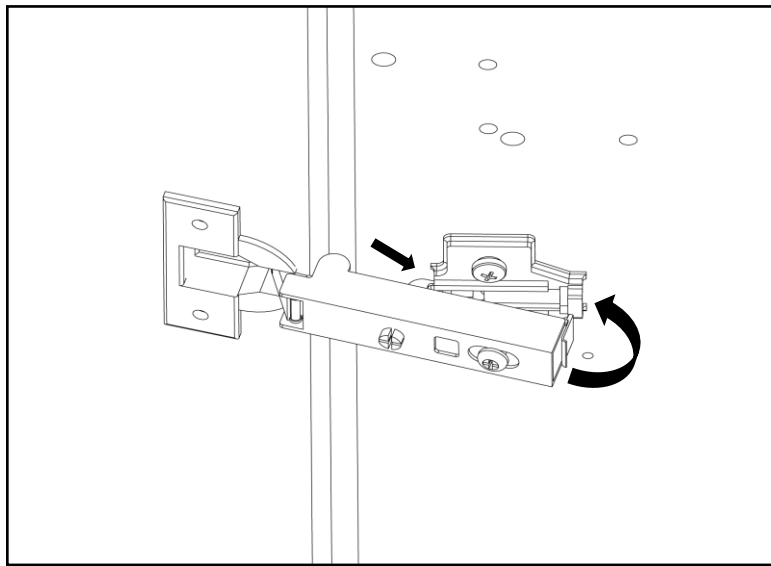
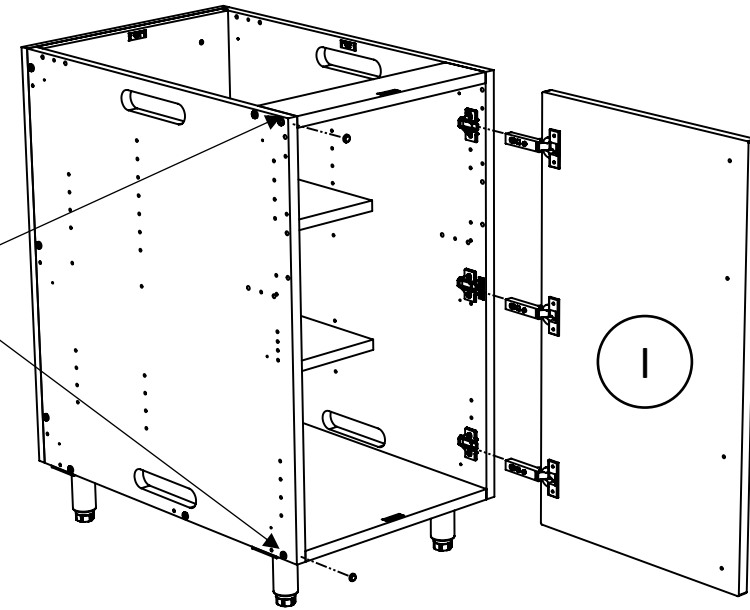
2 x Door Bumpers (H7)

Left Door

Right Door



Depending on which side you hang the door, place bumpers accordingly.



To attach the Door (I) – Locate the small ‘hooks’ on the underside of the **Soft Close Hinge** and hook them under the front of the **Hinge Plate**, then press the back of the **Hinge** towards the Plate until it ‘clicks’ into place. Repeat for the remaining **Hinges**.

STEP 13

REQUIRES

1 x Door Handle Kit (H9)

Wire Cutters



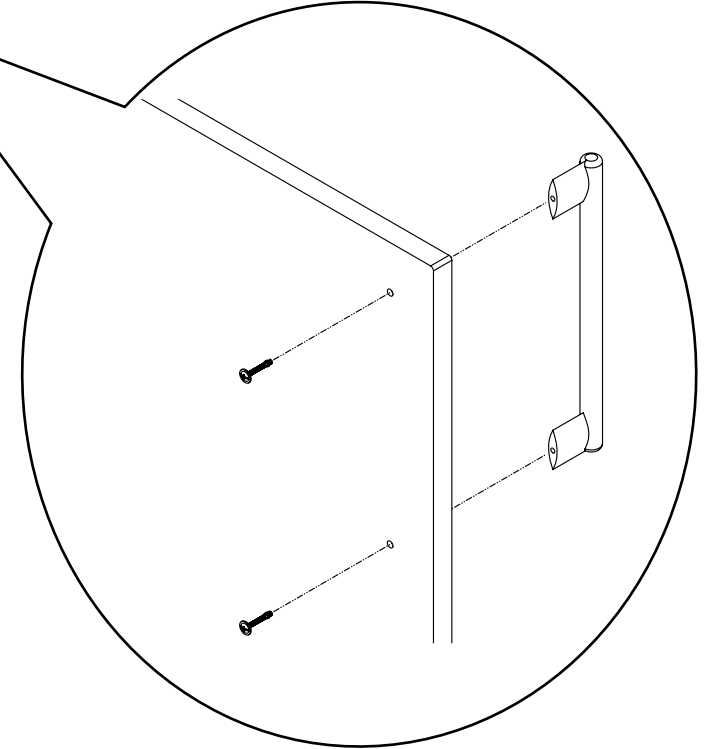
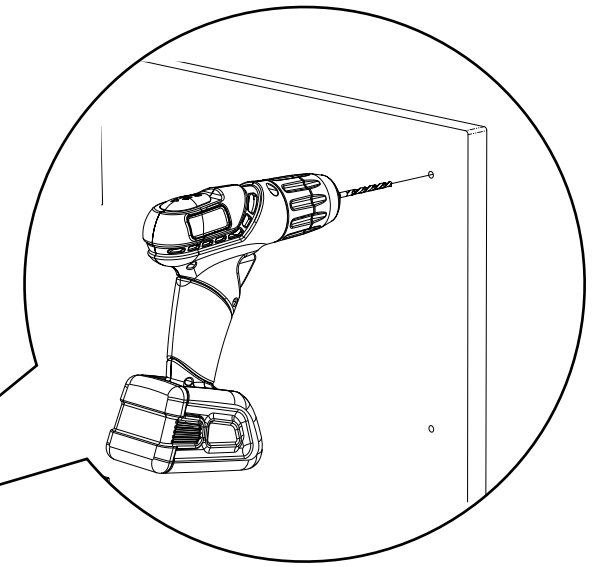
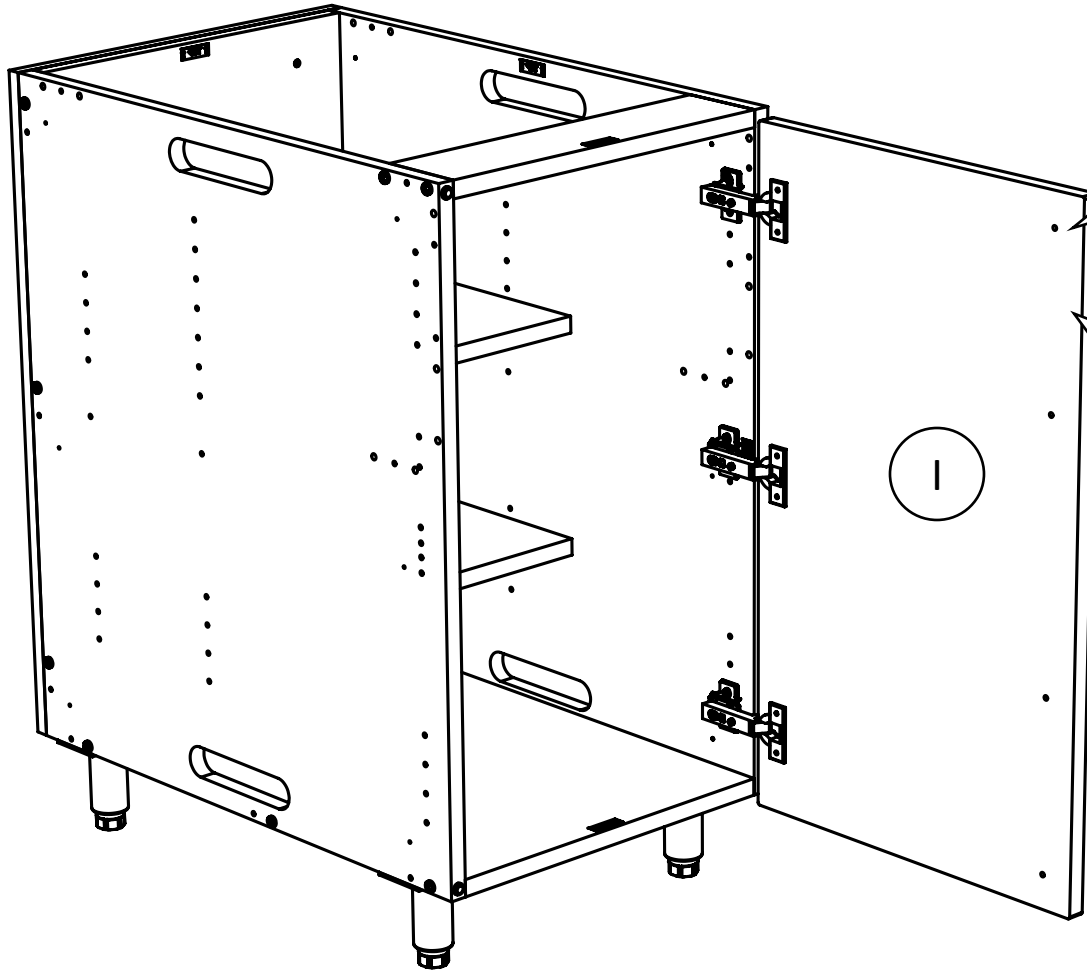
Use **Wire Cutters** or **Pliers** to cut the **Handle Screws** at the **Door Handle** breakpoint

STEP 14

REQUIRES

Door Handle Kit (H9)

Drill



Once door is installed on the correct side of the cabinet, drill through the two upper handle pilot holes with a 9/64" diameter drill bit. Then, attach **Door Handle (H9)** with two handle screws

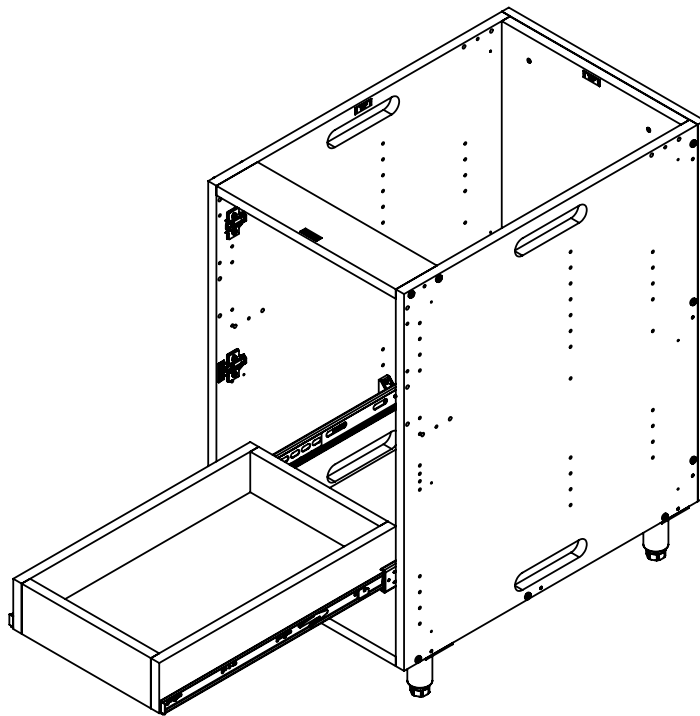
Assembly Instructions - ROTK18-FG

Rollout Tray Kit for 18" Base

Requires:	Description:
1 – C1	18" wide Base Cabinet Panel Kit
1 – P2	Rollout Tray Kit for 18" Base



For assistance visit
Weatherstrong.com
888-845-0004

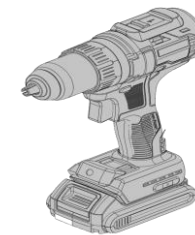


Before you start assembly, inspect all panels and hardware to ensure nothing is damaged and that you have everything required.

We recommend laying the components on provided packaging to protect the finish when assembling.

Required Tools

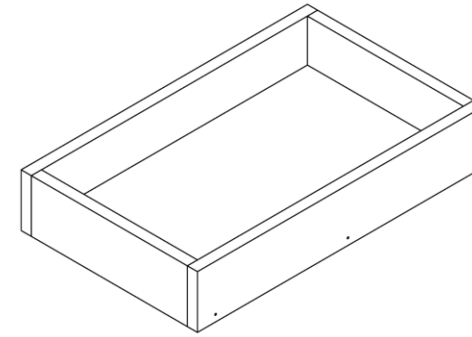
Electric Drill with Phillips



Hardware Kit

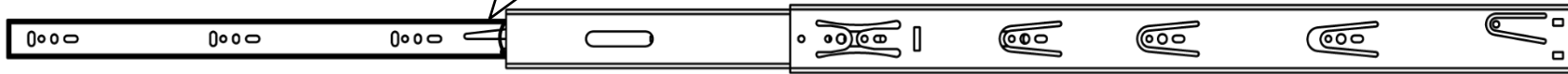
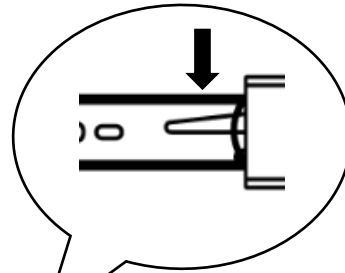
Rollout Tray

Picture	Qty	Item	Item ID
	6	Drawer Installation Screw	H11
	2	Drawer Runner	H13
	12	Euro Screw	H14
	4	Spacer	H15



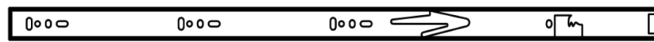
STEP 1

REQUIRES
2 x Drawer Runner (H13)



A

B



Remove **Drawer Runners** from packaging and extend the runners. While pressing down on the white tab pull **Smaller Runner Member (A)** apart from **Larger Runner Member (B)**.

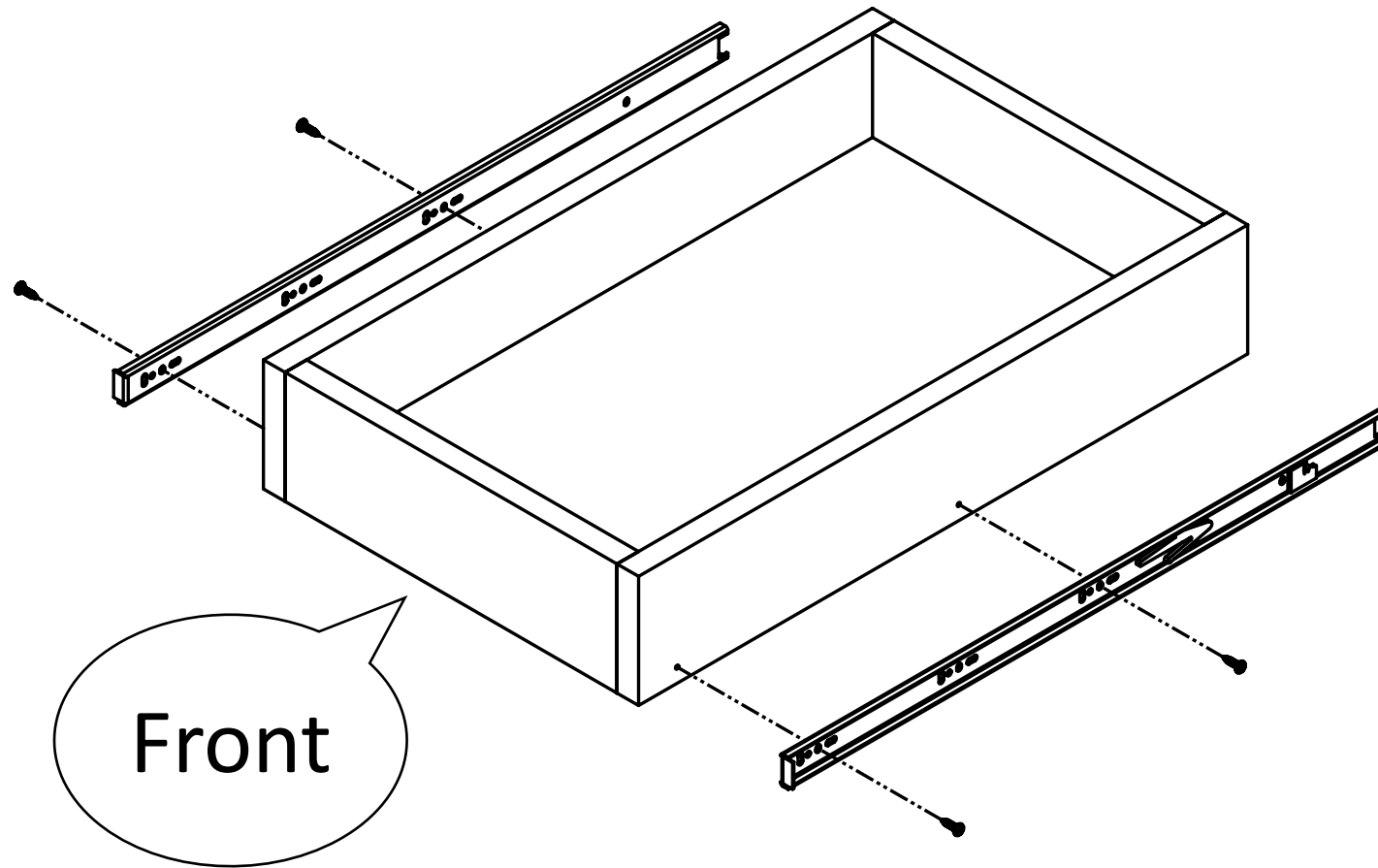
STEP 2

REQUIRES

4 x Drawer Installation Screw (H11)

2 x Drawer Runner (A)

Drill



Attach the **Smaller Runner Members (A)** to **Rollout Tray** with (4) **Drawer Installation Screws (H11)**. The tabs should be flush with the front of the box.

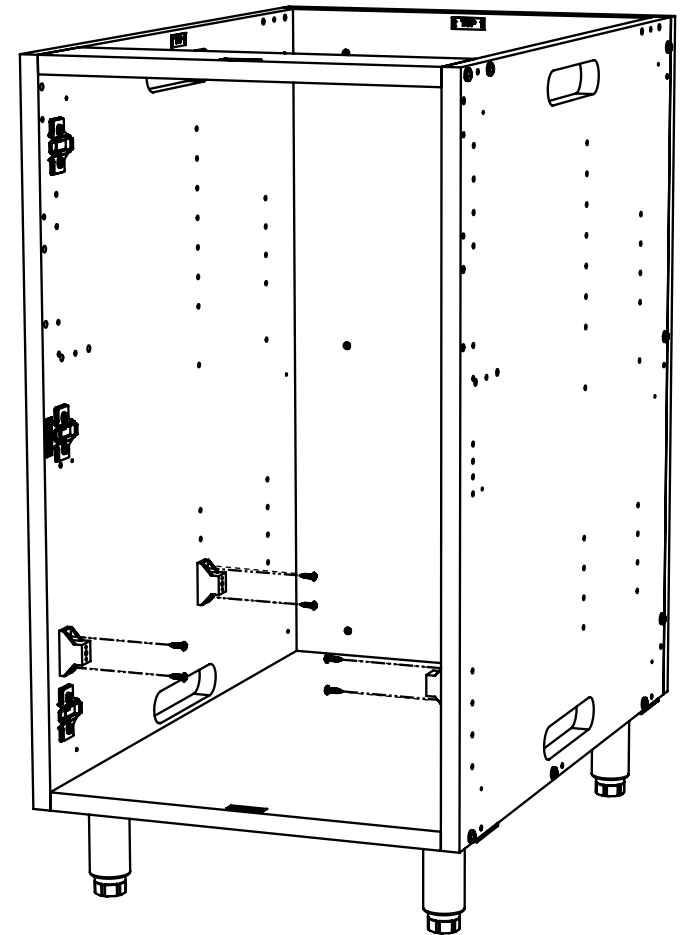
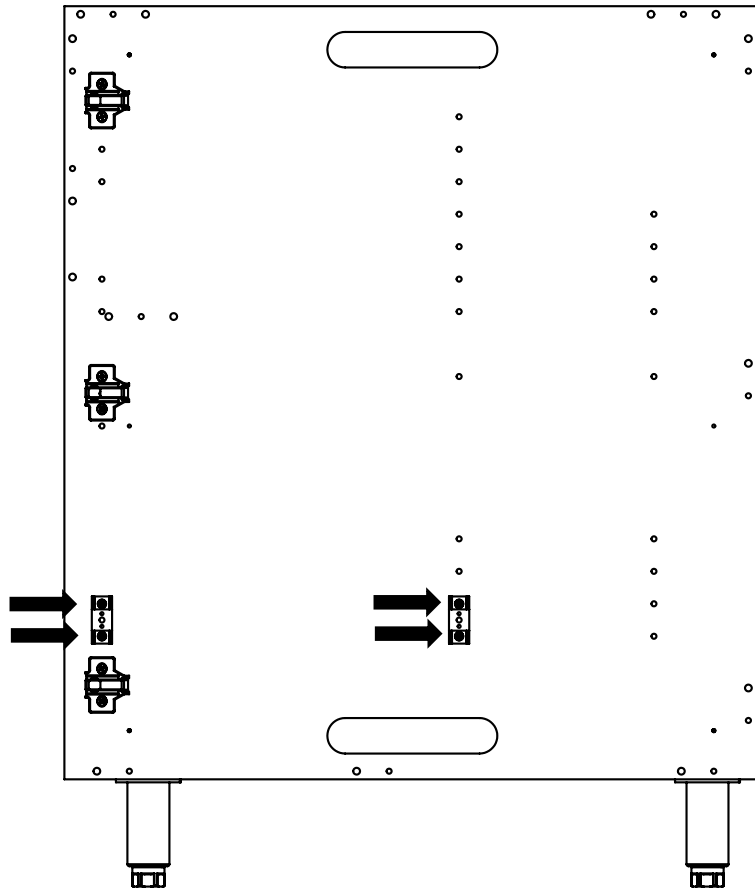
STEP 3

REQUIRES

8 x Euro Screw (H14)

4 x Spacer (H15)

Drill

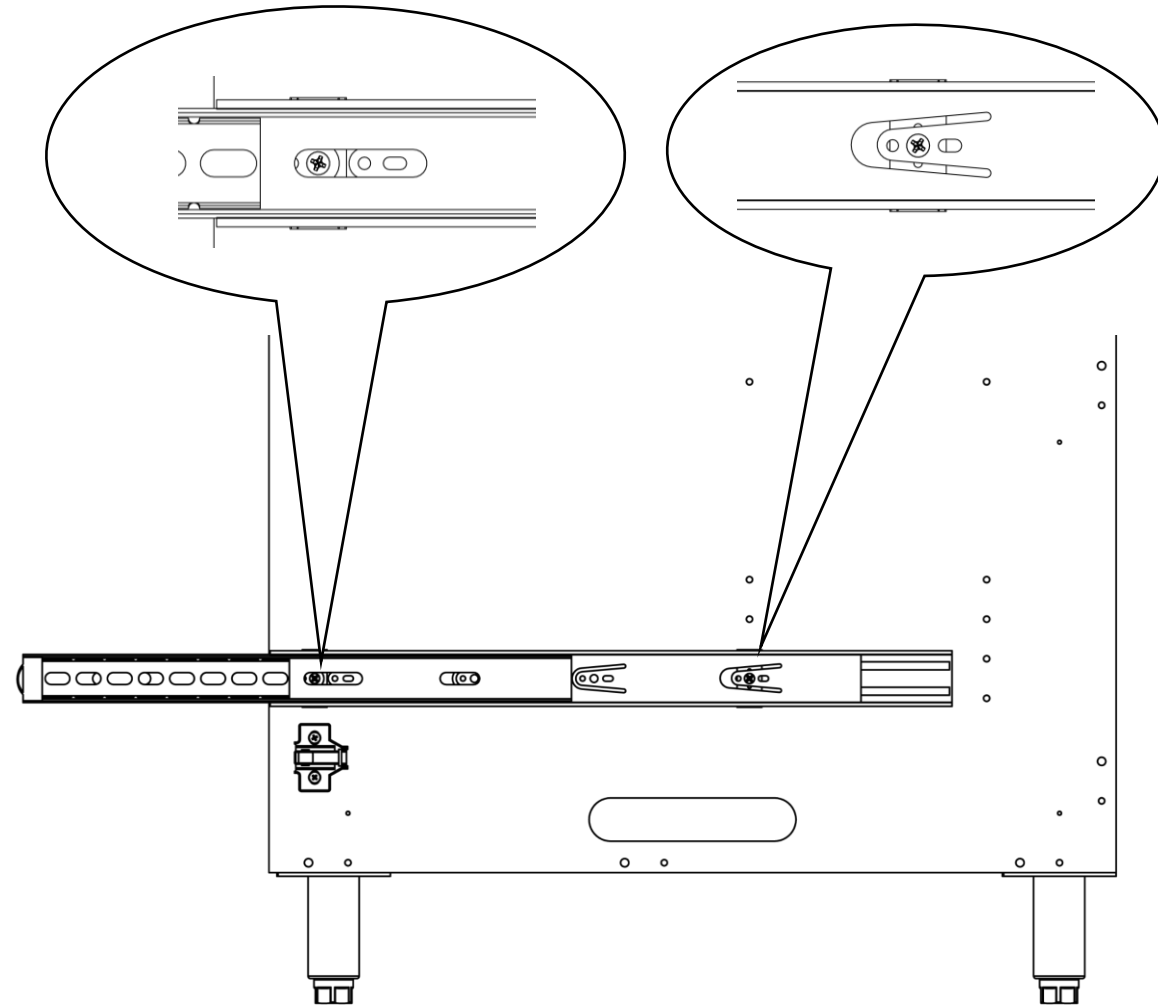
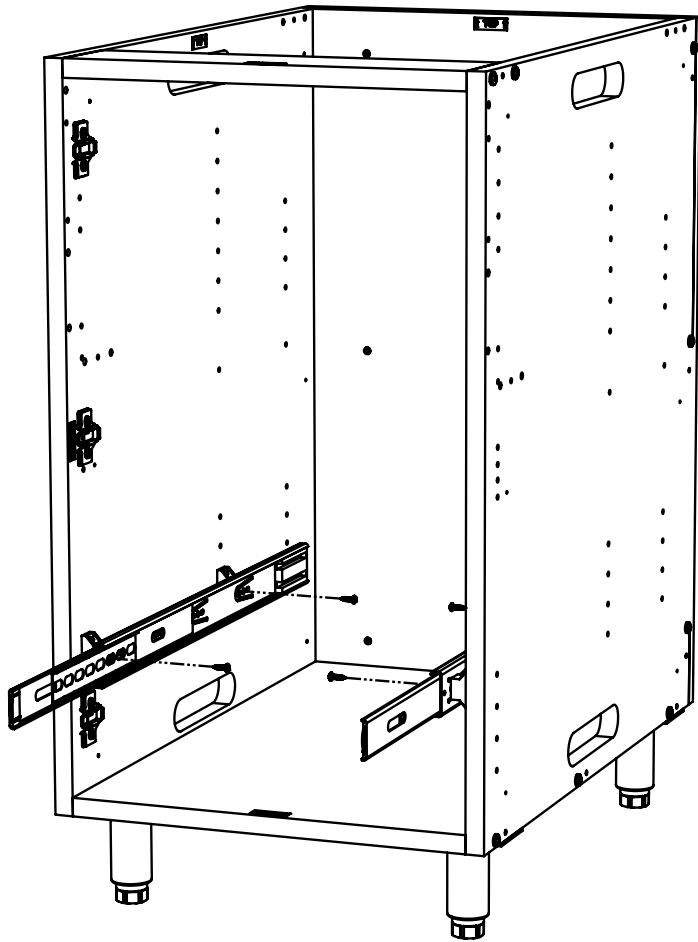


Install two **Spacers** (H15) on each End Panel just above the lower hinge, as shown, using two **Euro Screws** (H14) per **Spacer**.

STEP 4

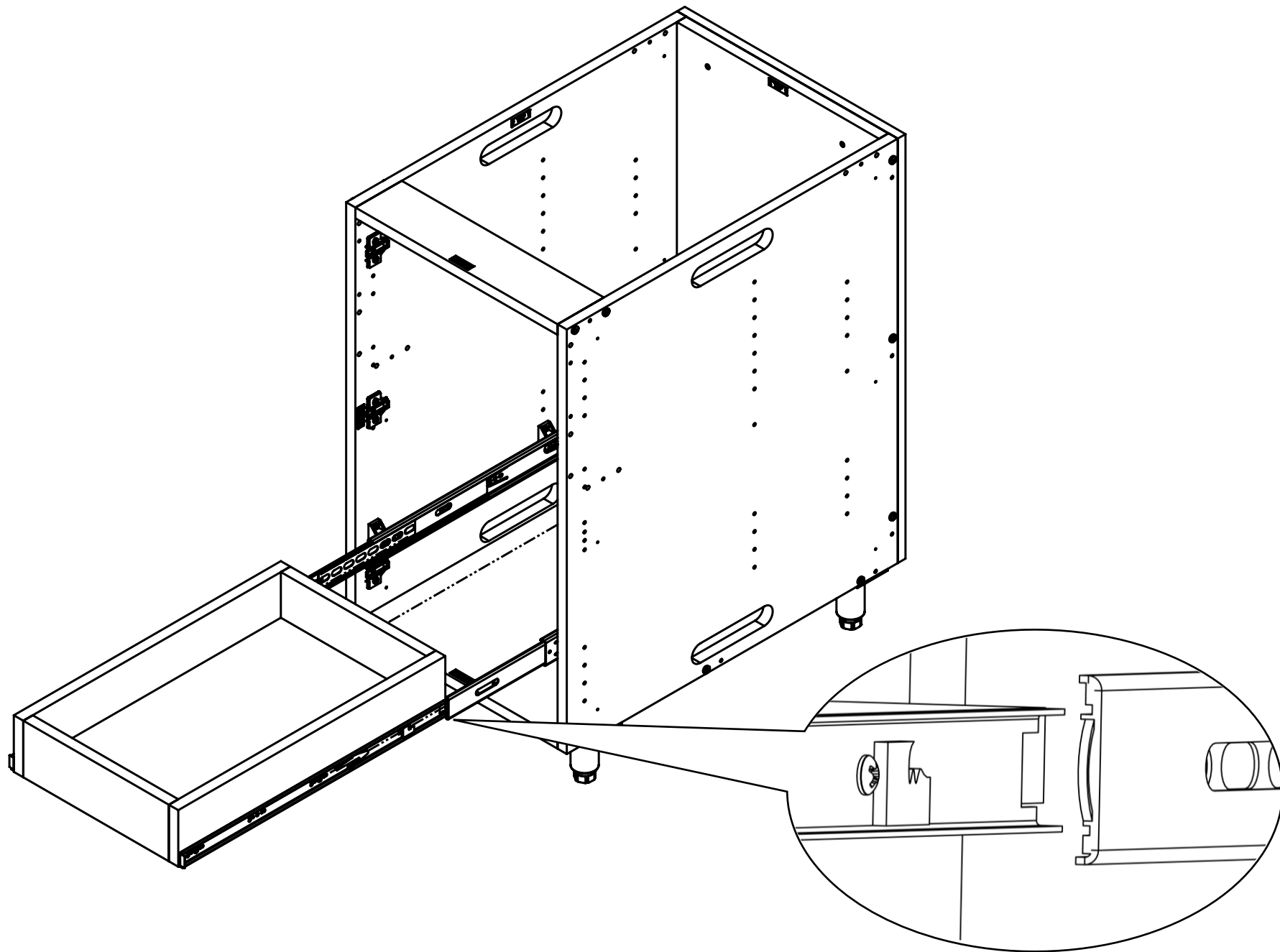
REQUIRES

- 4 x Euro Screws (H14)
- 2 x Larger Runner Member (B)
- Drill



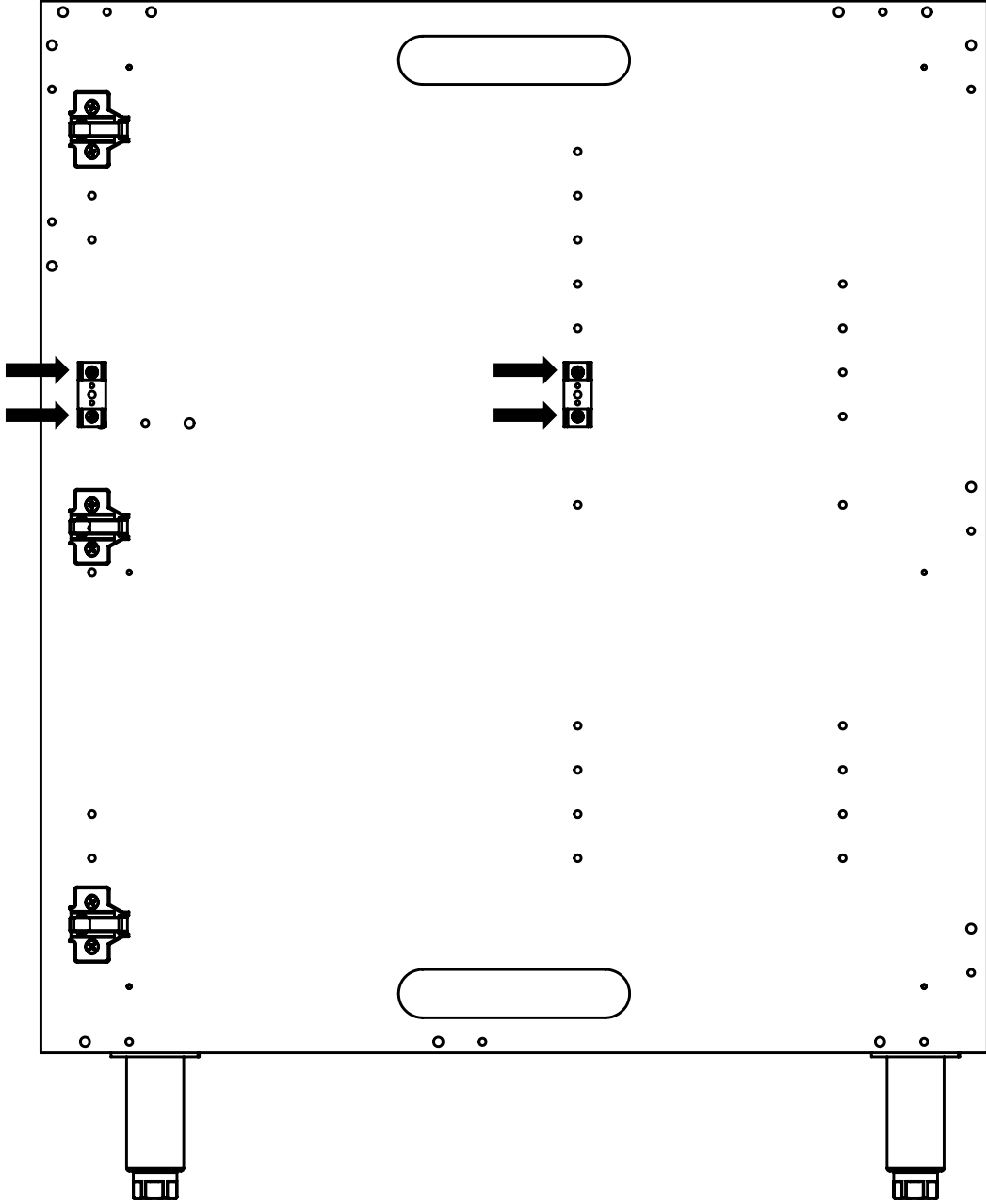
Attach the **Larger Runner Members (B)** to the **Spacers (H15)** using two **Euro Screws (H14)** per runner. To access the attachment holes, you will need to extend the runner mechanism, as shown.

STEP 5



Carefully slide the **Rollout Tray** into the **Larger Runner Members (B)** by inserting the **Smaller Members (A)** into the plastic guides at the front of the **Larger Members**. You should hear a 'click' when fully inserted.

STEP 6



If applicable repeat steps to install an additional upper **Rollout Tray** at the designated holes shown above.



For assistance visit
 Weatherstrong.com
 888-845-0004



30" Grill Base



42" Grill Base



48" Grill Base

Assembly Instructions – GB3027

30" wide x 27" deep Grill Base Cabinet

Assembly Instructions – GB4227

42" wide x 27" deep Grill Base Cabinet

Assembly Instructions – GB4827

48" wide x 27" deep Grill Base Cabinet

Requires:	Description:
1 – C7	30" wide Grill Cabinet Panel Kit
1 – A5	30" Grill Apron Front - HDPE
1 – D7	Doors & Back Panel Pack - HDPE
1 - E1	Cabinet End Panel Pack - 1-Pair
1 - K3	Assembly Hardware & Legs Kit 03

Requires:	Description:
1 – C3	42" wide Grill Cabinet Panel Kit
1 – A4	42" Grill Apron Front - HDPE
1 - D3	Doors & Back Panel Pack - HDPE
1 - E1	Cabinet End Panel Pack - 1-Pair
1 - K3	Assembly Hardware & Legs Kit 03

Requires:	Description:
1 – C9	48" wide Grill Cabinet Panel Kit
1 – A6	48" Grill Apron Front - HDPE
1 – D9	Doors & Back Panel Pack - HDPE
1 - E1	Cabinet End Panel Pack - 1-Pair
1 - K3	Assembly Hardware & Legs Kit 03



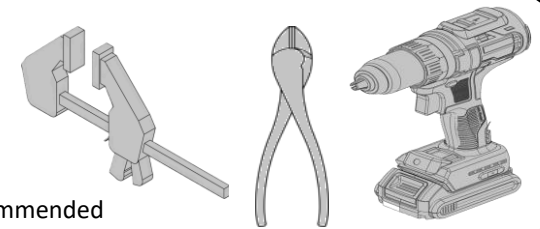
Before you start assembly, inspect all panels and hardware to ensure nothing is damaged and that you have everything required.

We recommend laying the components on the provided packaging to protect the finish when assembling.

Required Tools

- Electric Drill with Phillips and Square bit
- Wire Cutters
- Tape Measure
- 2x C-Clamp

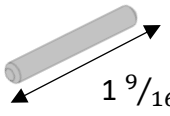
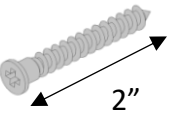
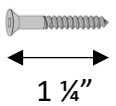
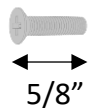
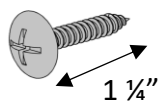
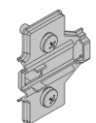
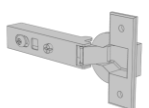
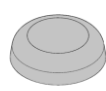
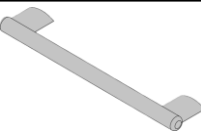
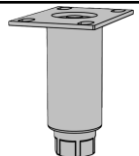
CAUTION : Safety glasses and gloves recommended

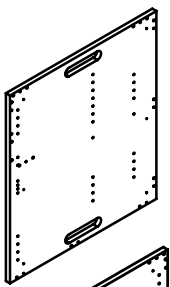
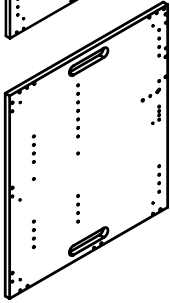


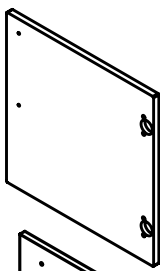
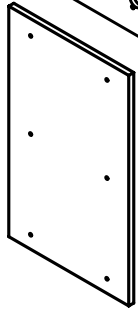
Hardware Kit K3

Cabinet Kit PACK E1

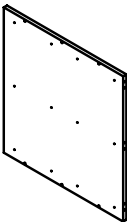
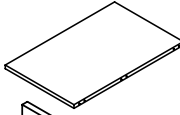


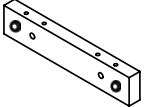
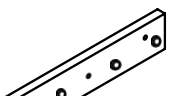
Finish Kit Pack D7,D3 or D9

Picture	Qty	Item	Item ID
	20	Locator Dowel	H1
	32	Assembly Screw	H2
	33	Attachment Screw	H3
	8	Hinge Screw	H6
	7	Drawer Front Screw	H8
	4	Hinge Plate (with pre-mounted screws)	H4
	4	Soft Close Hinge	H5
	4	Door Bumper	H7
	2	Door Handle Kit	H9
	2	Cabinet Leg 2PK	H10

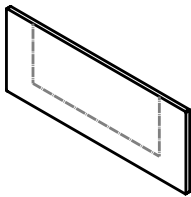
Picture	Qty	Item	Item ID
	1	End Panel Left	L
	1	End Panel Right	R

Picture	Qty	Item	Item ID
	2	Door	I
	2	Matching Back Panel	J

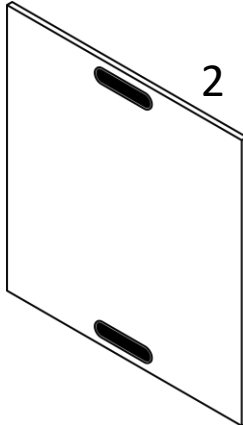
Cabinet Kit PACK C3,C7 or C9

	1	Back Panel	B
	1	Fixed Shelf	F
	1	Cross Brace	C1
	1	Back Brace	C2
	2	Apron Support	E
	1	Apron Rail	D

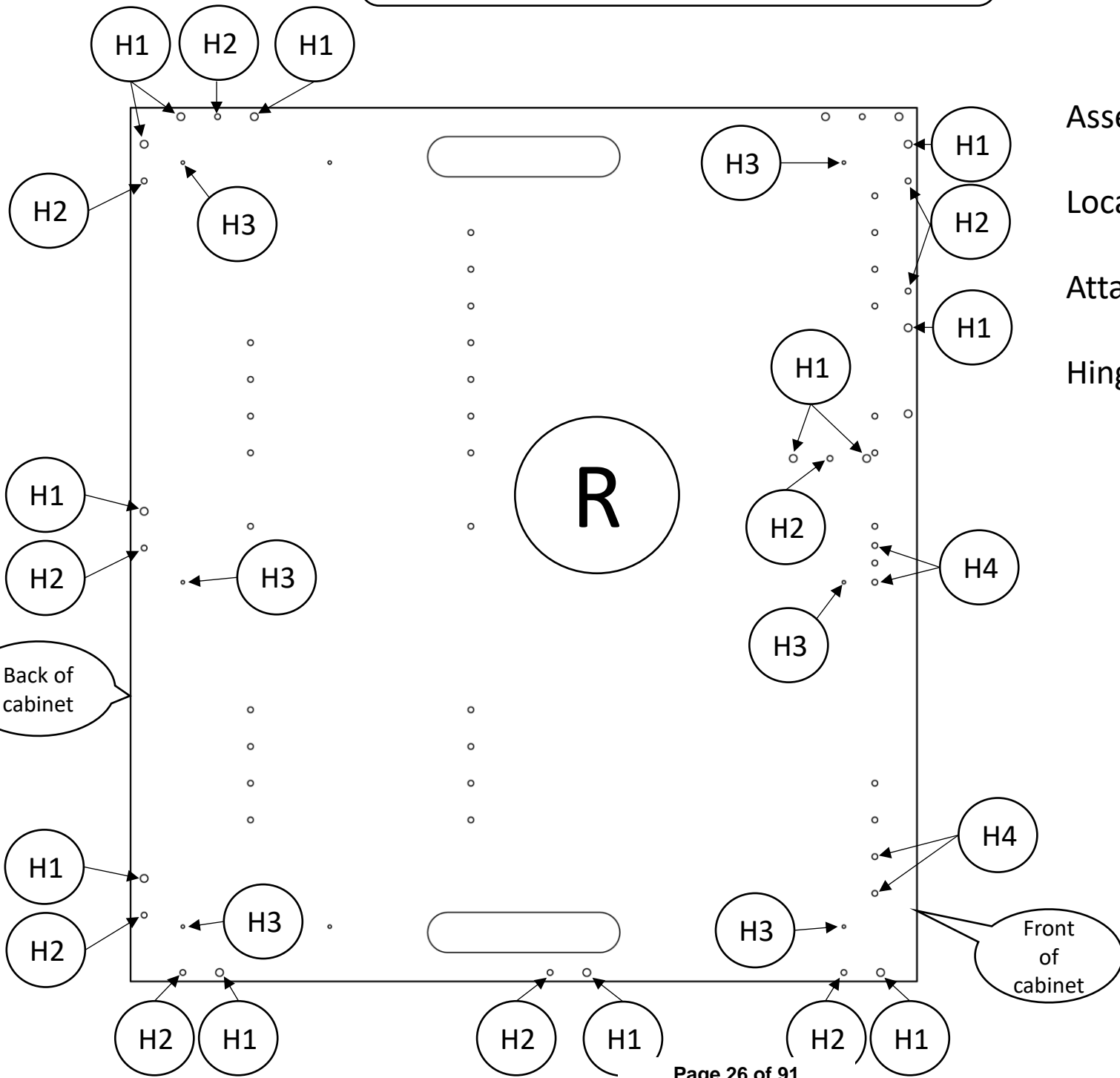
Finish Kit Pack A4,A5 or A6

	1	Apron Front	G
--	---	-------------	---

PACK B1 – (Optional)

	2	Matching End Panel	P
---	---	--------------------	---

Hole Assignments: Pack E1
 Hole Assignments – Right End Panel

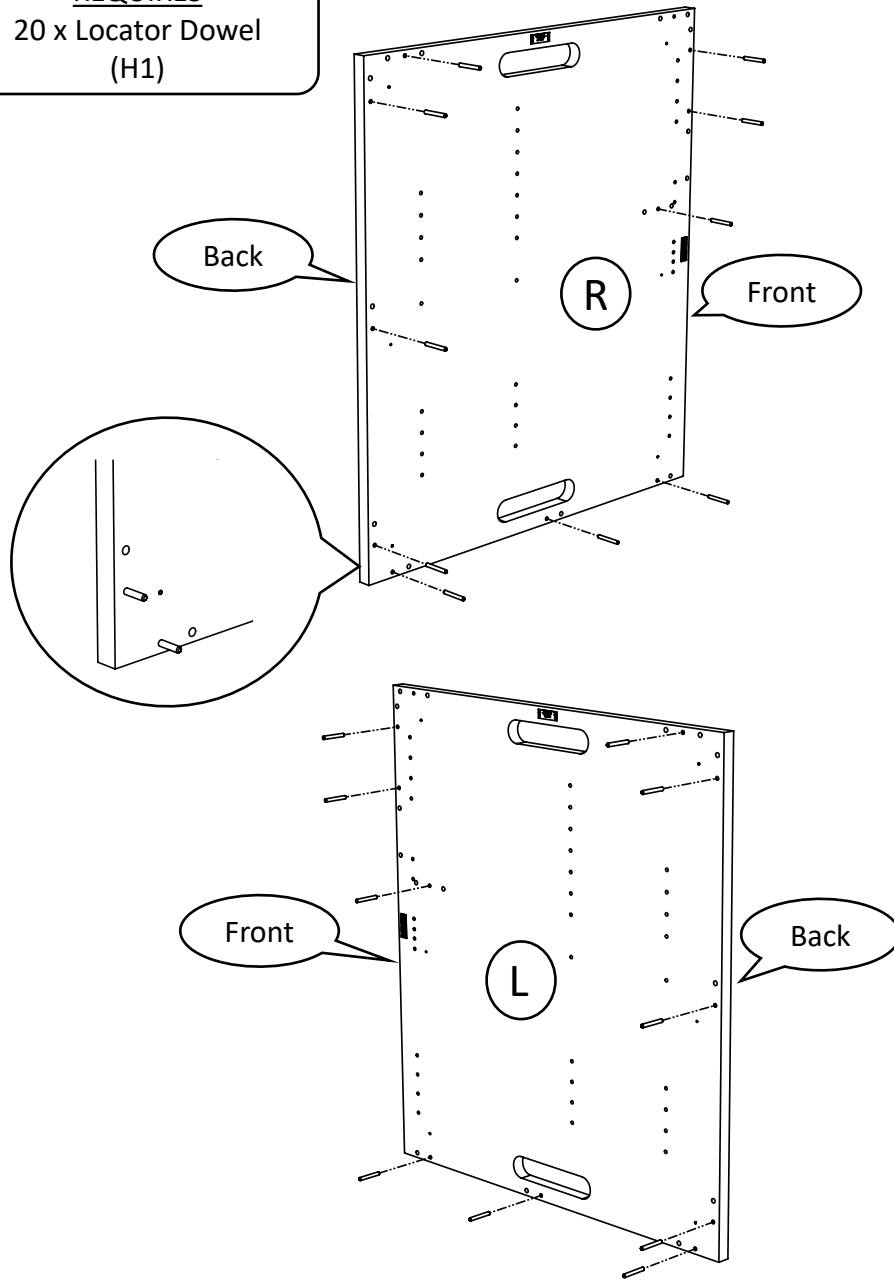


- Assembly Screw holes (H1)
- Locator Dowel holes (H2)
- Attachment Screw holes (H3)
- Hinge Plate Screw holes (H4)

STEP 1

REQUIRES

20 x Locator Dowel (H1)

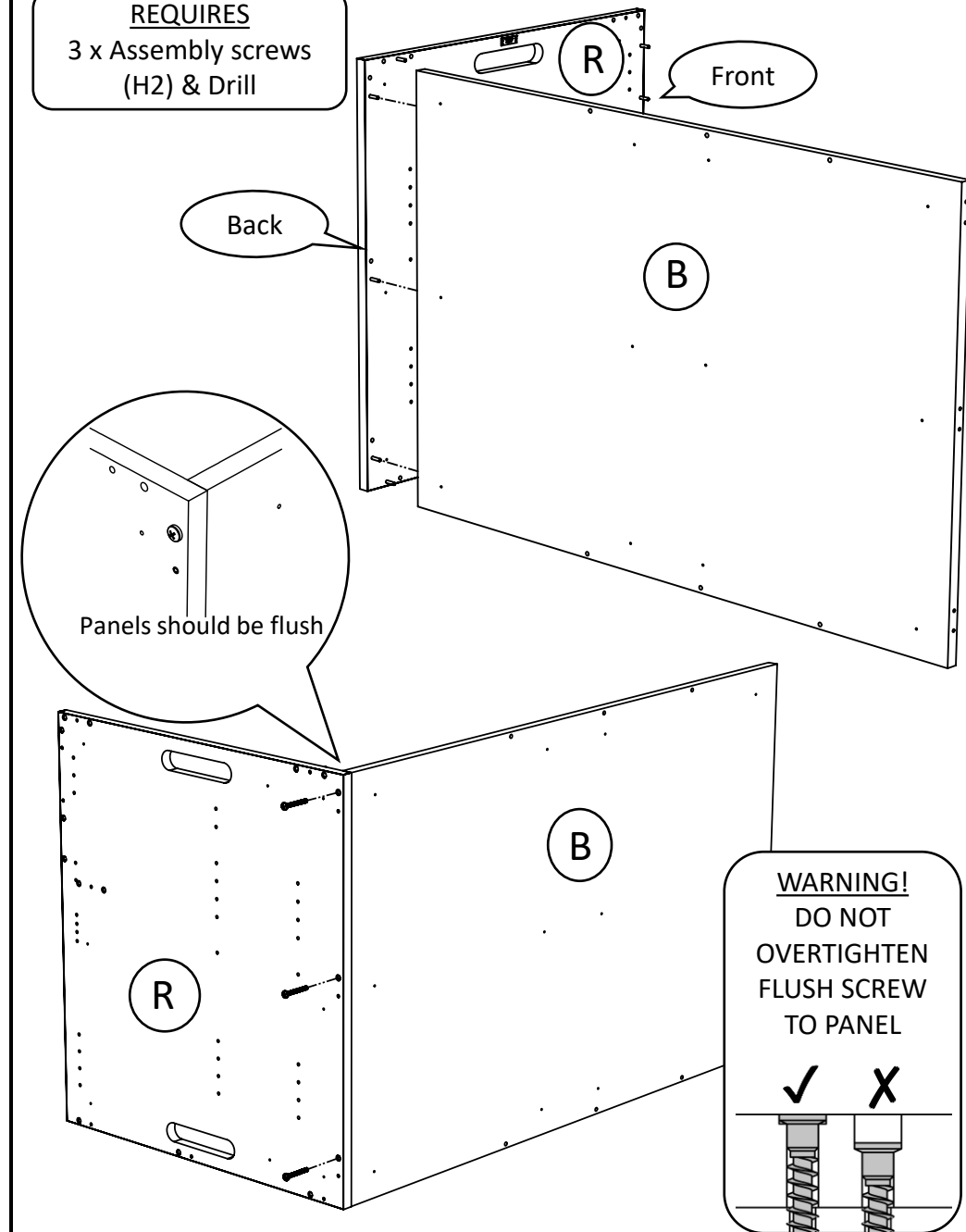


Lay **Panel (R)** and **(L)** on a flat surface and insert **Locator Dowel (H1)** in the correct locator dowel holes. Reference pages 3 and 4.

STEP 2

REQUIRES

3 x Assembly screws (H2) & Drill



Insert the 3 **Locator Dowels** on the left side of **Panel (R)** into the locator dowel holes on the side of **Panel (B)**. Use the **Drill** and 3 **Assembly Screws (2)** to screw **Panel (R)** to **Panel (B)**. If **Panel (B)** is not flush or inset with the edge of **Panel (R)** rotate **Panel (B)** 180 degrees.

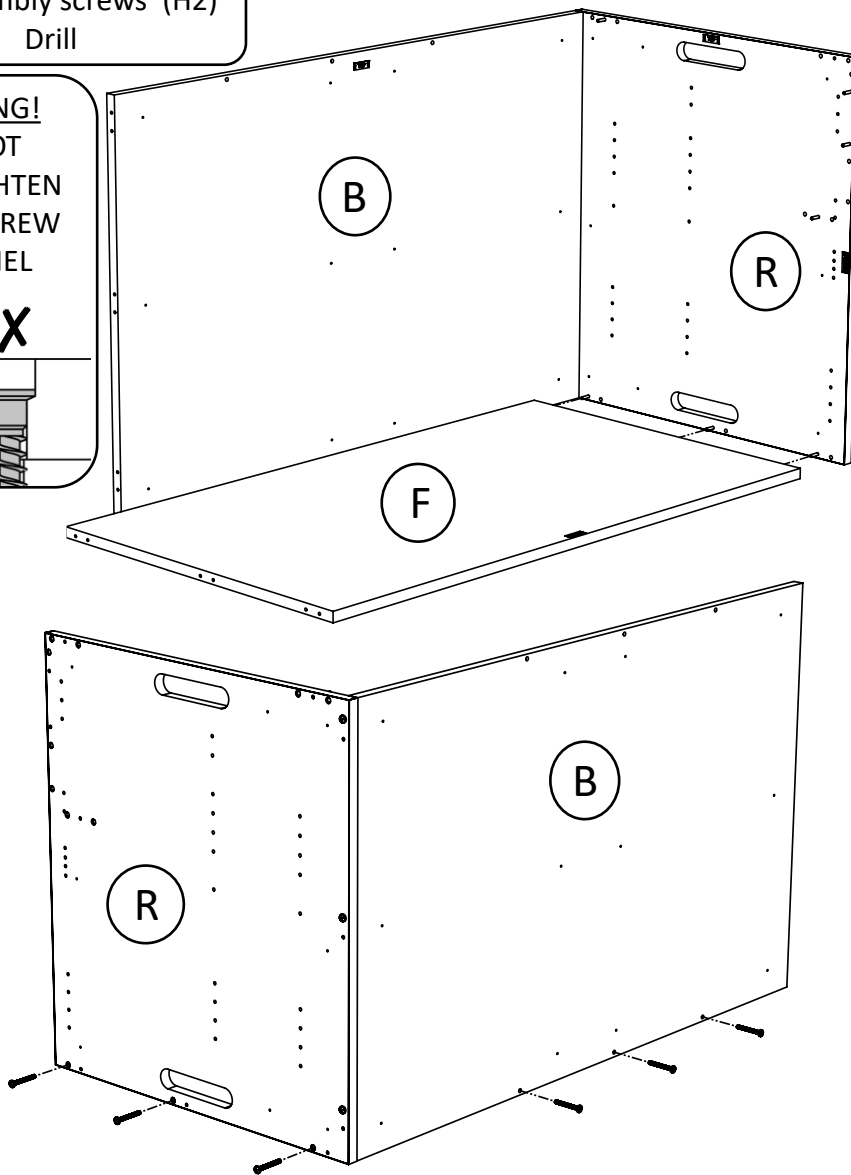
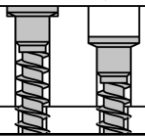
STEP 3

REQUIRES

6 x Assembly screws (H2)
Drill

WARNING!

DO NOT
OVERTIGHTEN
FLUSH SCREW
TO PANEL

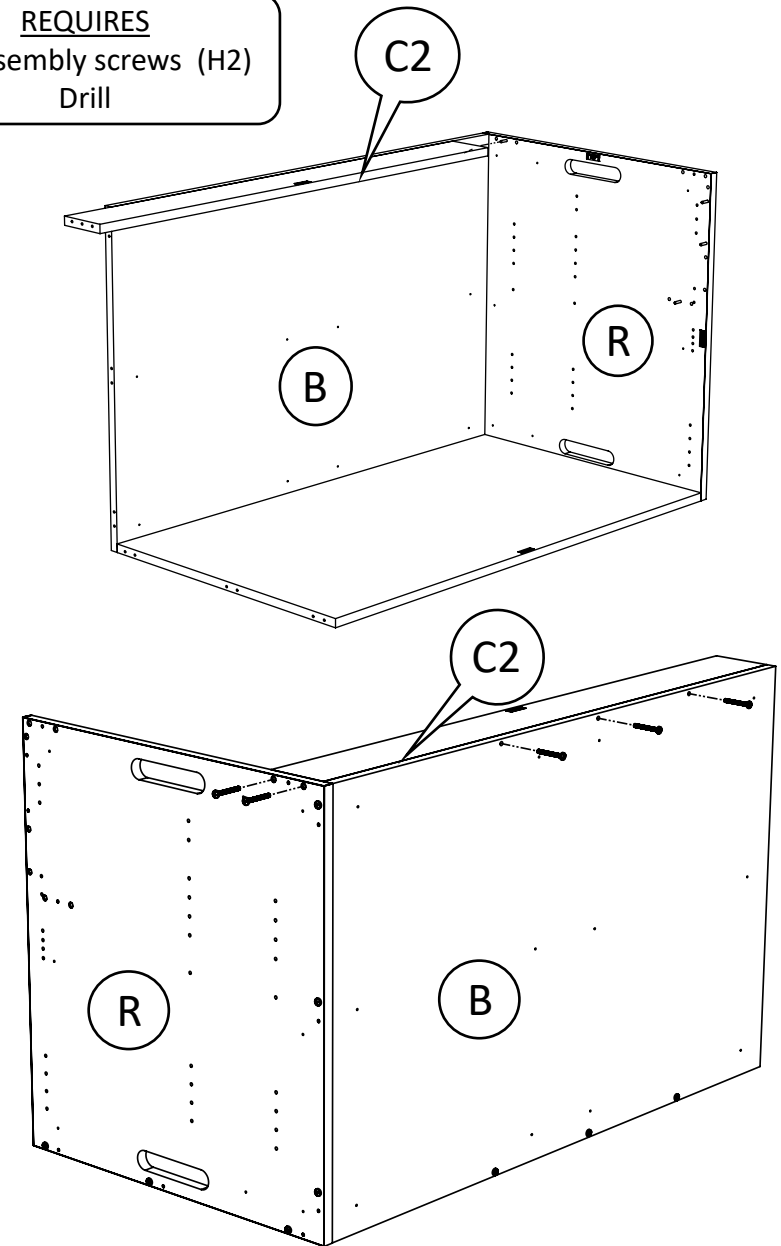


Insert the **Locator Dowel (H1)** on **Panel (R)** into the locator dowel hole on **Panel (F)**. Use the **Drill** and 3 **Assembly Screws (H2)** to screw **Panel (R)** to **Panel (B)**.

STEP 4

REQUIRES

5 x Assembly screws (H2)
Drill

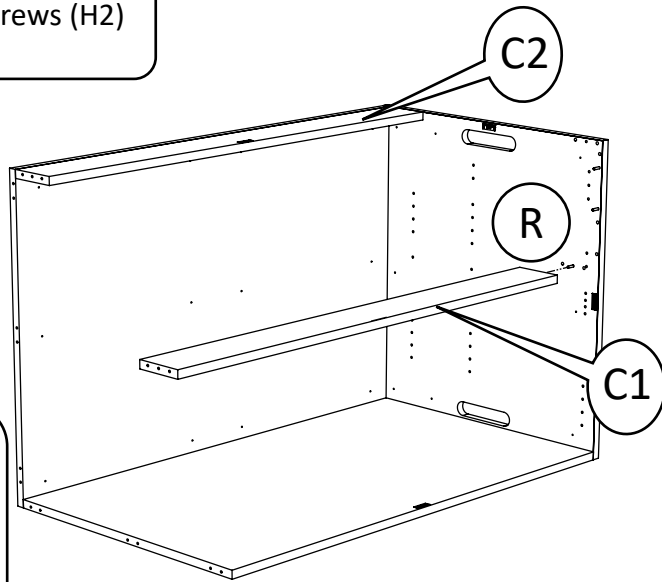


Insert the **Locator Dowel (H1)** on **Panel (R)** into the locator dowel hole on **Panel (C)**. Now, use the **Drill** and 5 **Assembly Screws (H2)** to screw **Panel (R)** and **(B)** to **Panel (C)**.

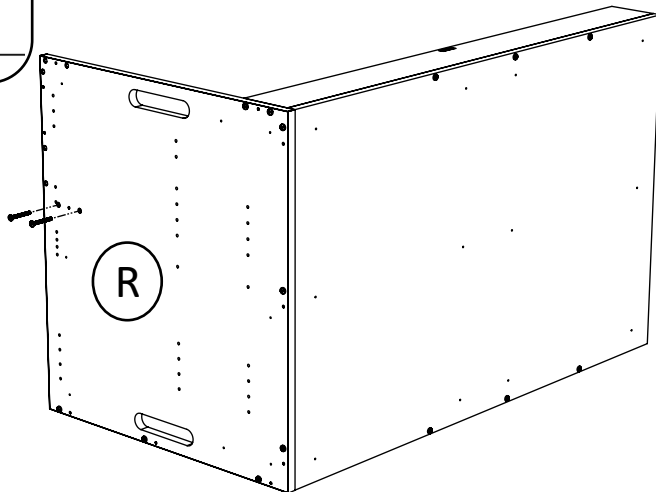
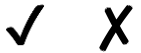
STEP 5

REQUIRES

2 x Assembly screws (H2)
Drill



WARNING!
DO NOT
OVERTIGHTEN
FLUSH SCREW
TO PANEL

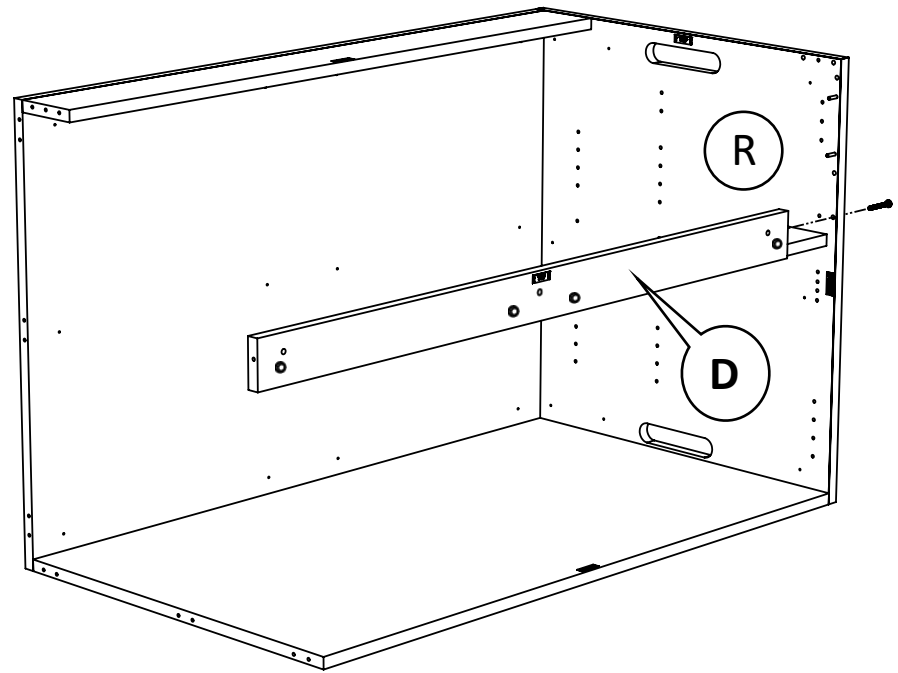


Insert the **Locator Dowel (H1)** on **Panel (R)** into the locator dowel hole on **Panel (C)**. Now, use the **Drill** and 2 **Assembly Screws (H2)** to screw **Panel (R)** to **Panel (C)**.

STEP 6

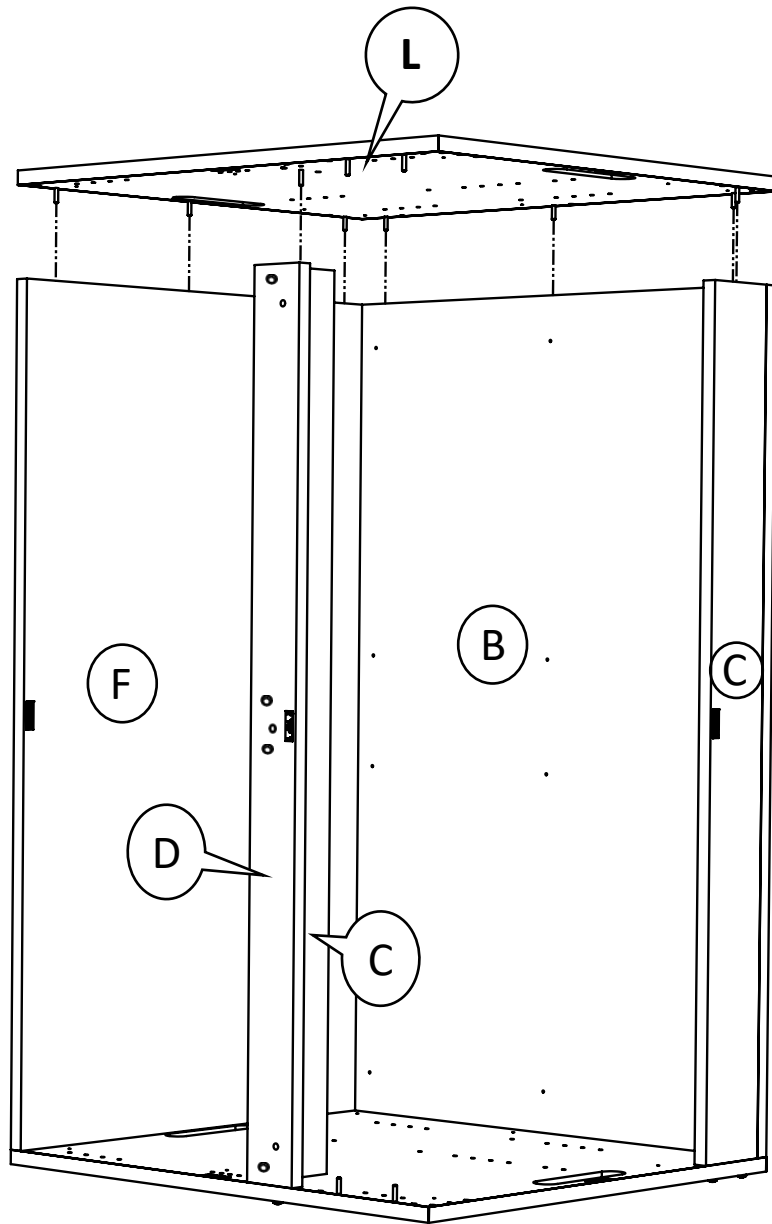
REQUIRES

1 x Assembly screws (H2)
Drill



Use the **Drill** and 1 **Assembly Screw (H2)** screw **Panel (R)** to **Panel (D)**.

STEP 7

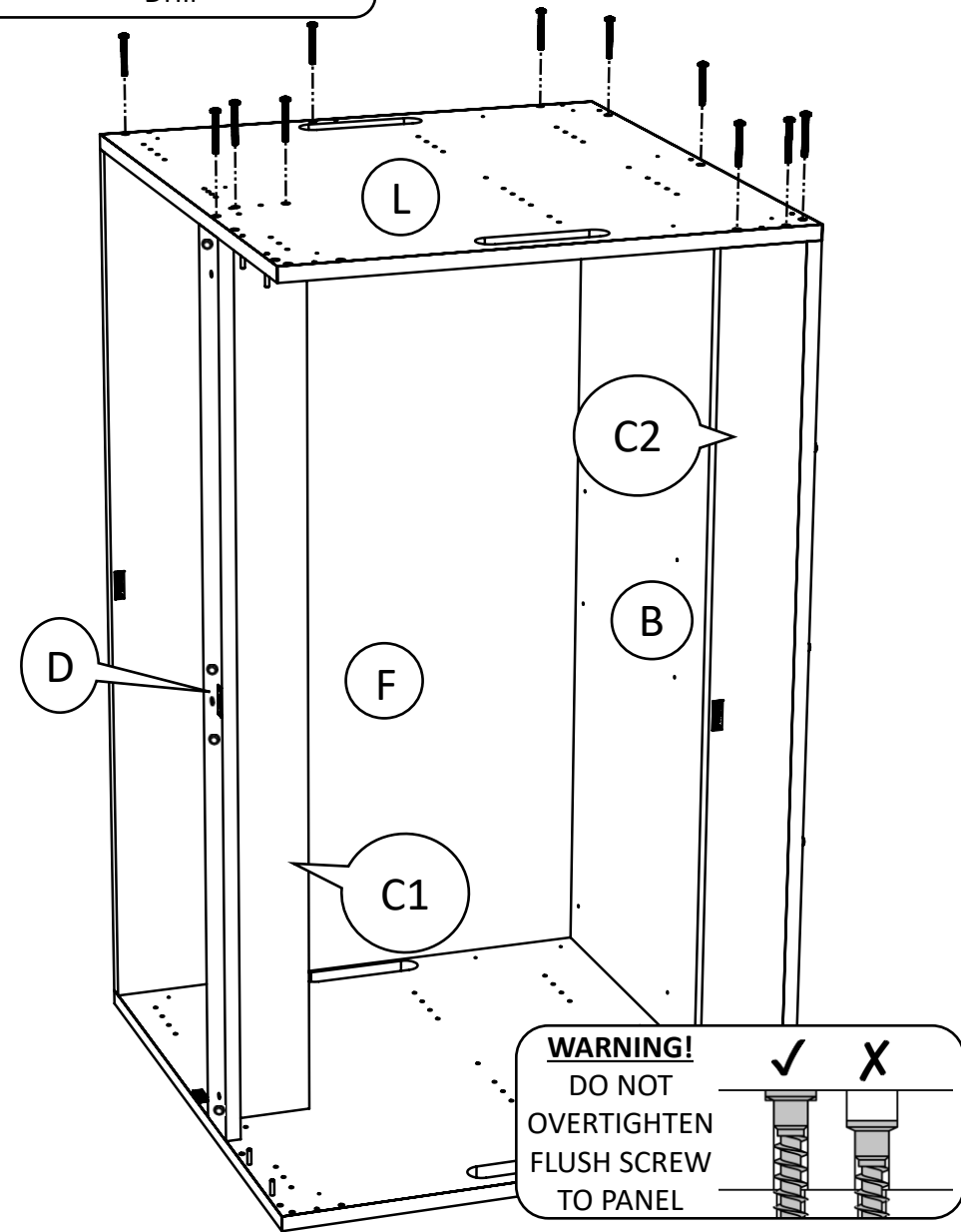


Insert the **Locator Dowels** on **Panel (L)** into the locator dowel holes on the sides of **Panels (F), (C), (D), and (B)**.

STEP 8

REQUIRES

11 x Assembly screws (H2)
Drill

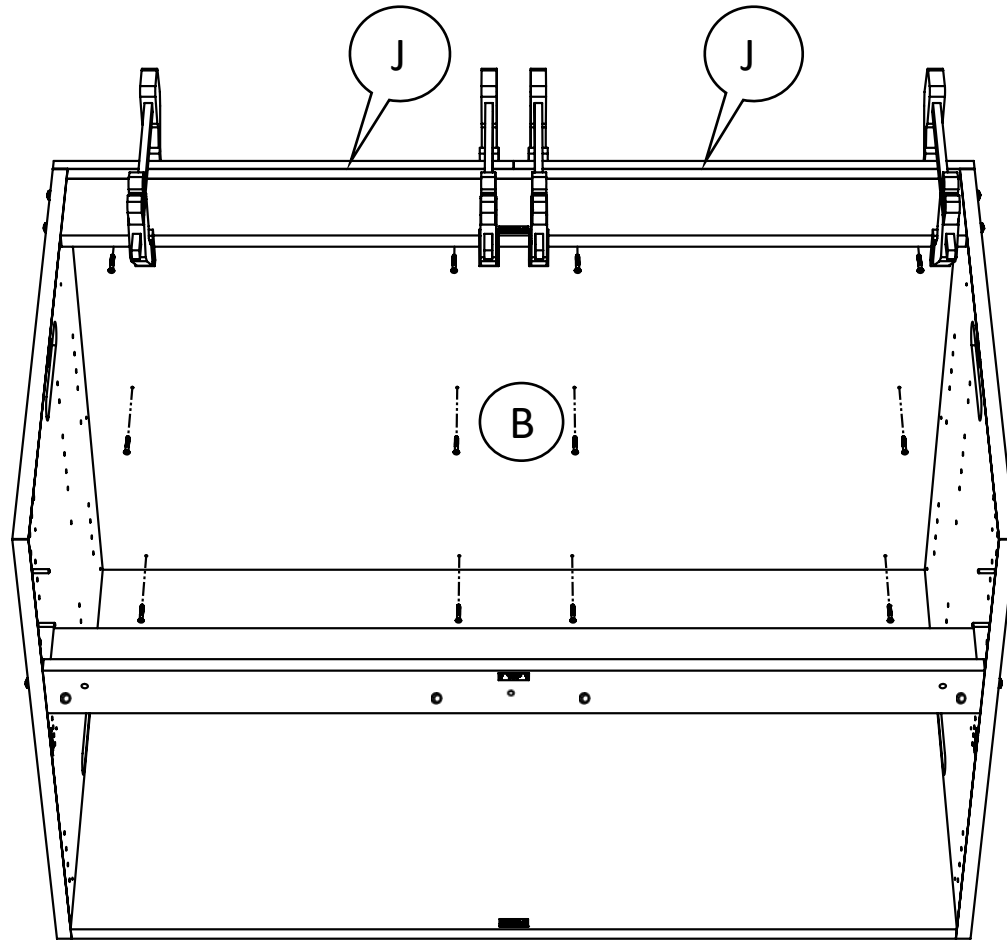


Using the **Drill** and 11 **Assembly Screws (H2)** screw **Panel (L)** to **Panels (F), (C), (D) and (B)**.

STEP 9

REQUIRES

12 x Attachment Screws (H3)
Drill



Align the attachment screw holes in **Panel (B)** with the attachment screw holes in **Panels (J)** then use the **Drill** and 12 **Attachment Screws (H3)**, and screw **Panel (B)** to **Panels (J)**.

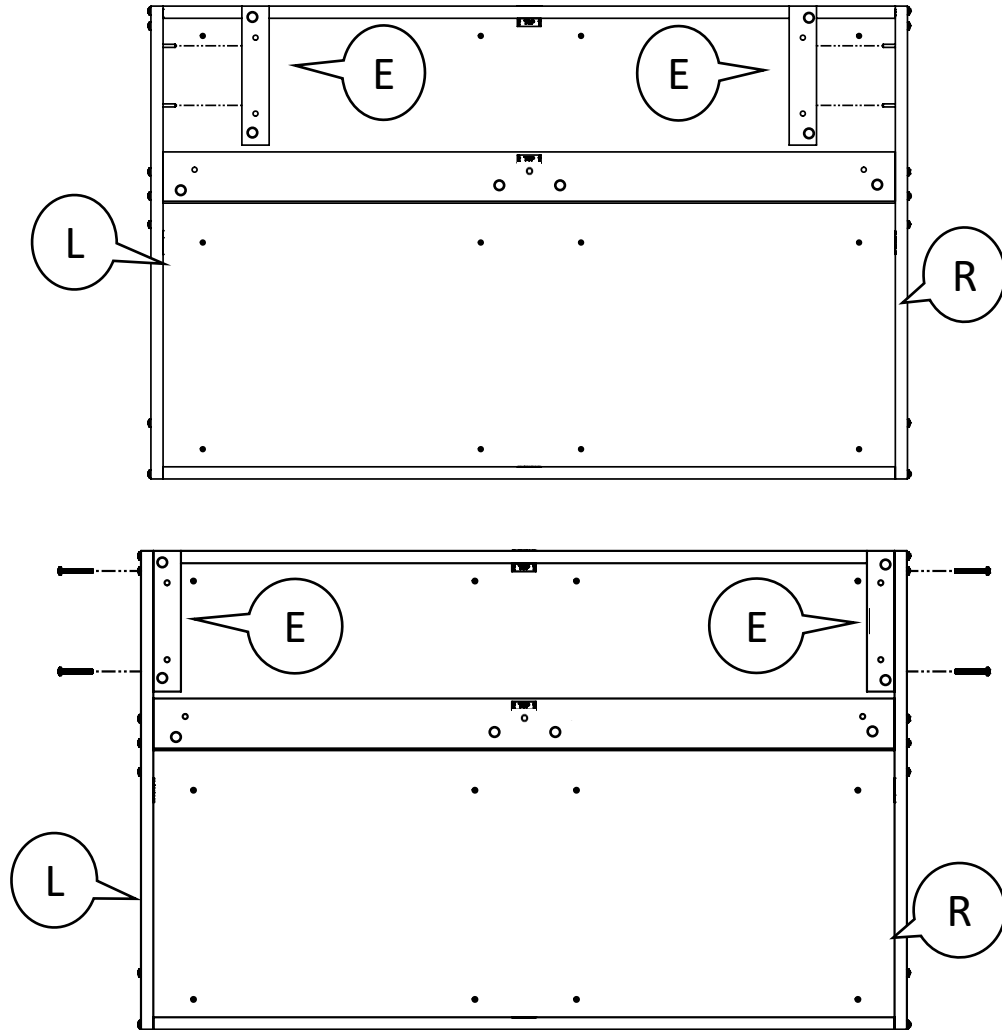
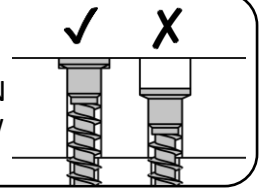
STEP 10

REQUIRES

4 x Assembly screws (H2)
Drill

WARNING!

DO NOT
OVERTIGHTEN
FLUSH SCREW
TO PANEL



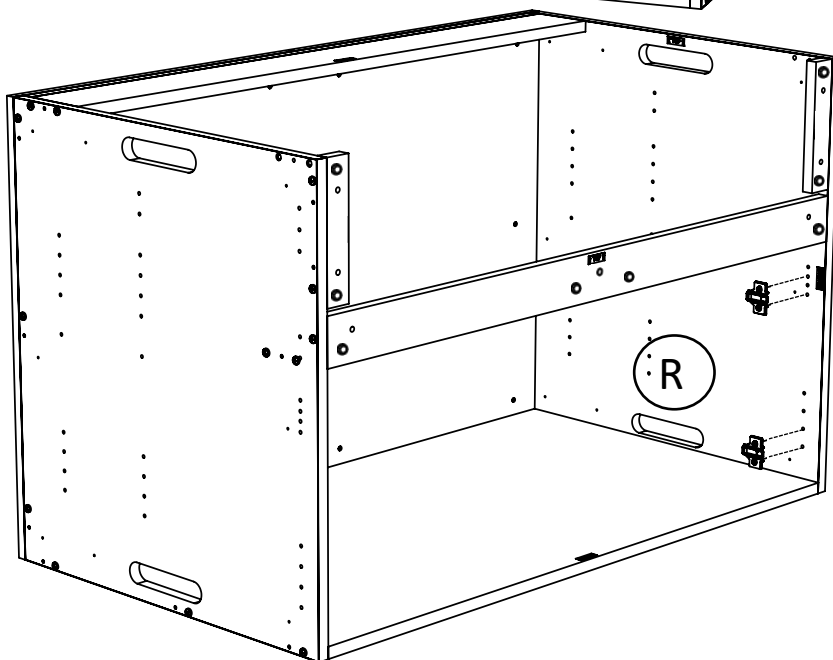
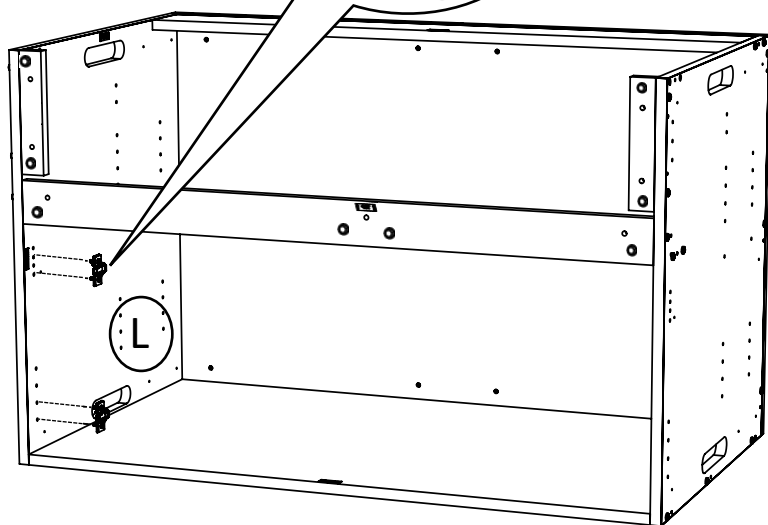
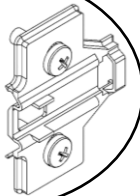
Insert the 2 **Locator Dowels** on **Panel (L)** and **Panel (R)** into locator dowel holes on **Panels (E)**. Then using the **Drill** and 4 **Assembly Screws (2 per each Panel)** screw **Panel (R)** and **(L)** to **Panels (E)**.

STEP 11

REQUIRES

4 x Hinge Plate (H5)
Drill

FRONT



On **Panel (L)** and **Panel (R)** using the **Drill** and **4 Hinge Plates (H5)**, 2 for each side, screw hinge plates to the correct hinge plate holes. Reference hole assignment on page 3.

STEP 12

REQUIRES

2 x Cabinet Leg packs (H10)
Drill

Pro Tip: Make sure the adjustable end of each leg is loose before standing the cabinet upright. This will make leveling the cabinets easier.

Front

2"

Flush on side

Flush on side

5/8"

F

Back

X4

Flush on side

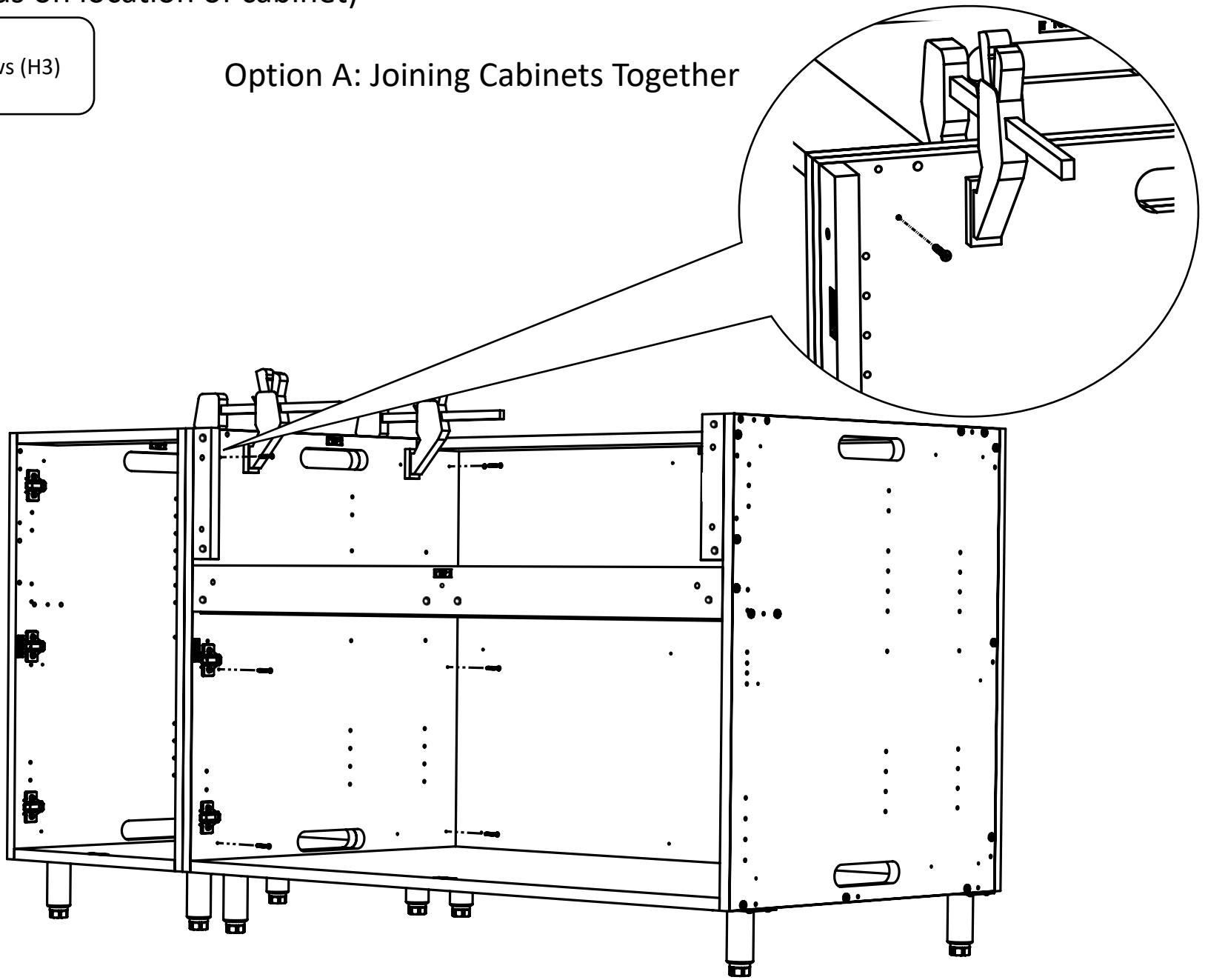
Cabinet Leg Pack (H10) consists of 2 cabinet legs, 2 cabinet leg plates and 8 screws. Screw front cabinet leg plates onto the cabinet 2 inches from the front, and flush to the sides. Screw back cabinet leg plates onto the cabinet 5/8 of an inch from the back and flush to the sides. Now, screw on the 4 adjustable legs.

STEP 13 (Depends on location of cabinet)

REQUIRES

6 x Attachment Screws (H3)
Drill

Option A: Joining Cabinets Together



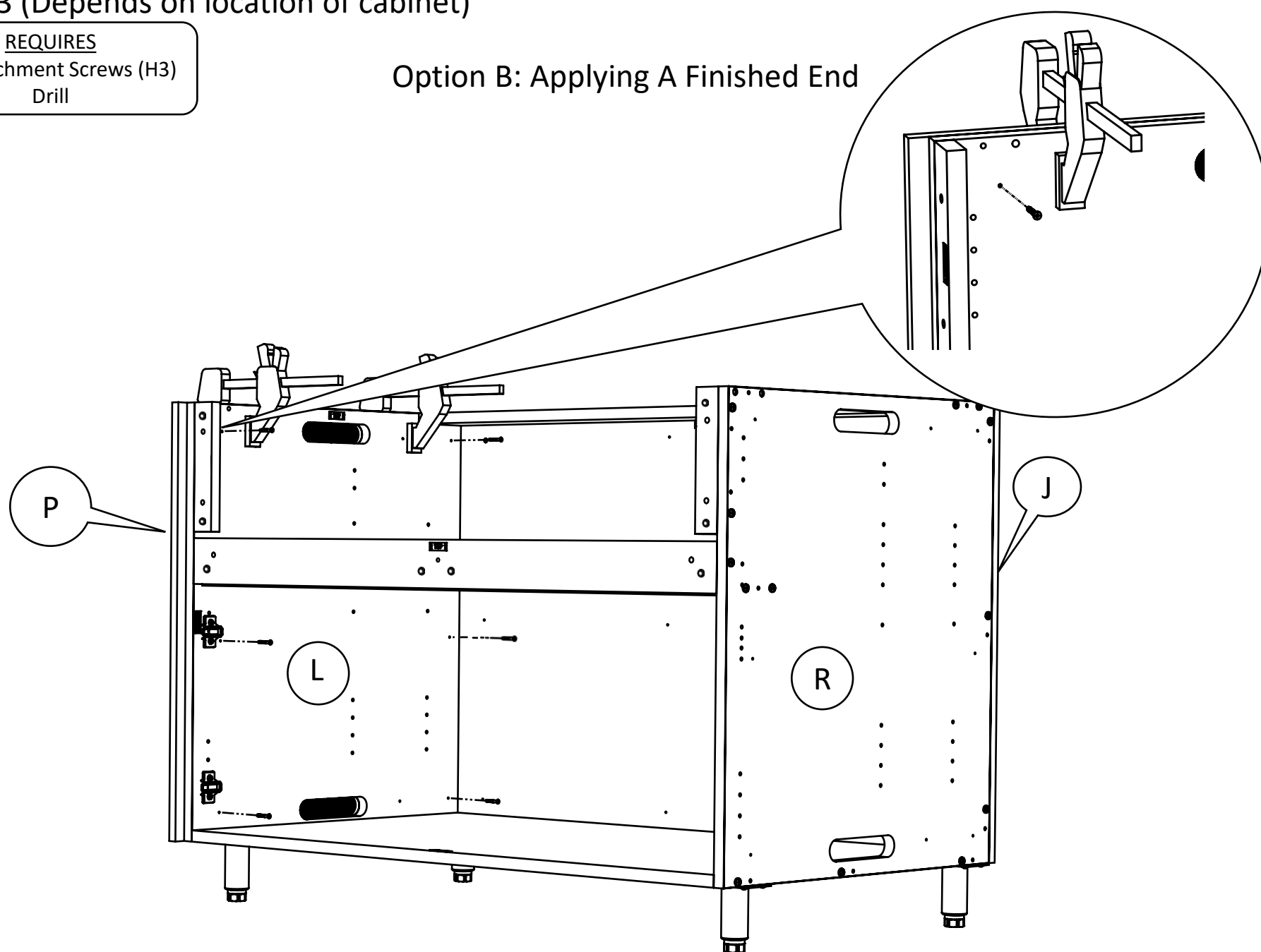
Option A: Screwing Cabinets Together – align the Attachment Screw holes in each cabinet and using the **Drill** and 6 **Attachment Screws (H3)** screw the cabinets together. You may wish to use a C-clamp to secure panels in place while attaching. Make sure the cabinet sides are flush in front and back.

STEP 13 (Depends on location of cabinet)

REQUIRES

6 x Attachment Screws (H3)
Drill

Option B: Applying A Finished End

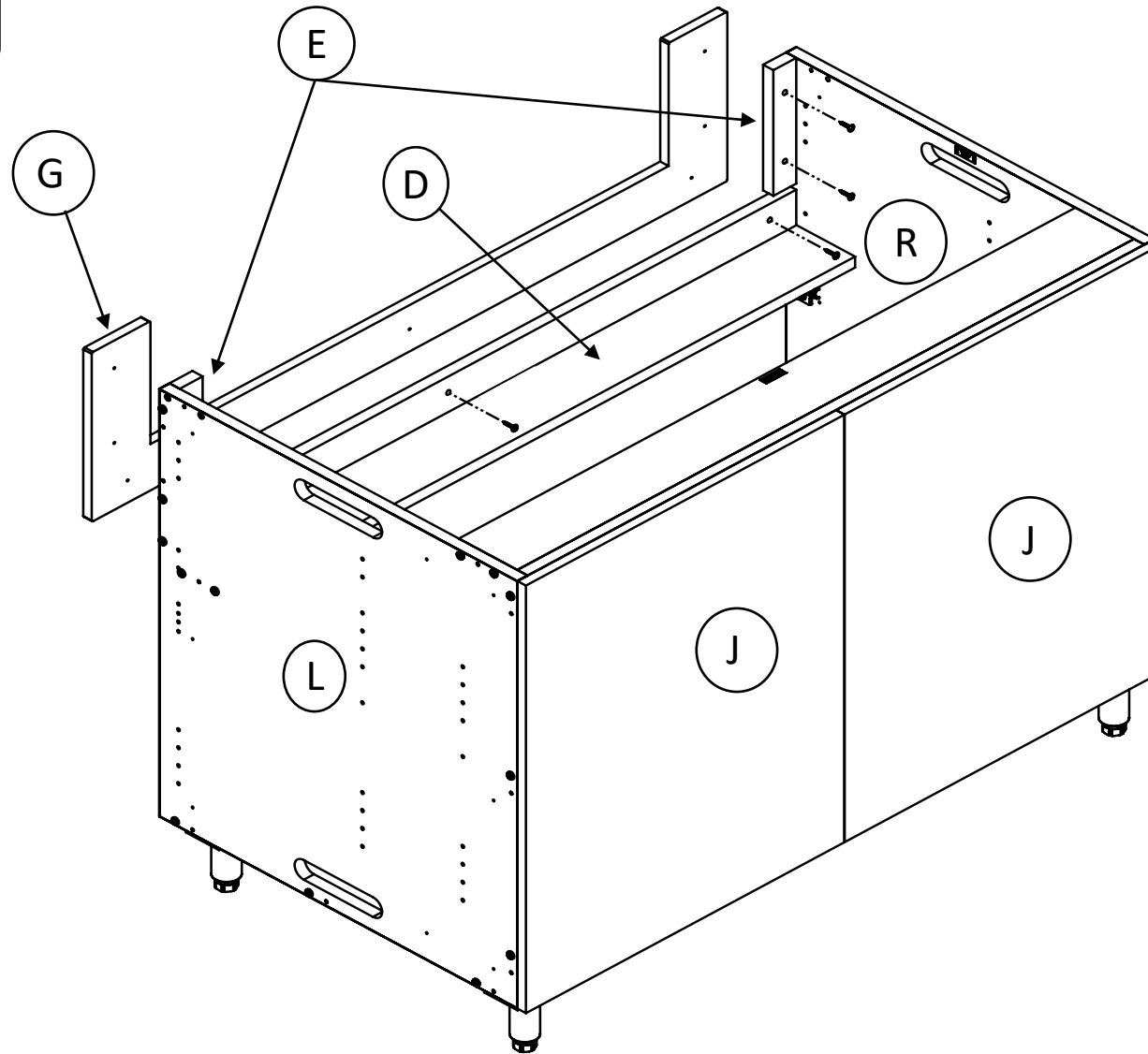


Option B: Applying Finished End – align **Panel (P)** to **Panel (L)** or **Panel (R)**, ensure **Panel (P)** is flush to the back of **Panel (J)**. Using the **Drill** and **6 Attachment Screws (H3)** screw **Panel (L)** or **(R)** to **Panel (P)**. You may wish to use a C-clamp to secure panels in place while attaching. The back edge of **Finished End (P)** should be flush with Panel (J). The front edge will protrude in front of the cabinet until the doors are installed

STEP 14

REQUIRES

7 x Drawer Front Screw (H8)
Drill



Apply **Door Bumpers** (H7) to designated areas. Cut Apron before attaching. Using the **Drill** and 7 **Drawer Front Screws** (H8) screw both **Panels** (E) and **Panel** (D) to **Panel** (G).

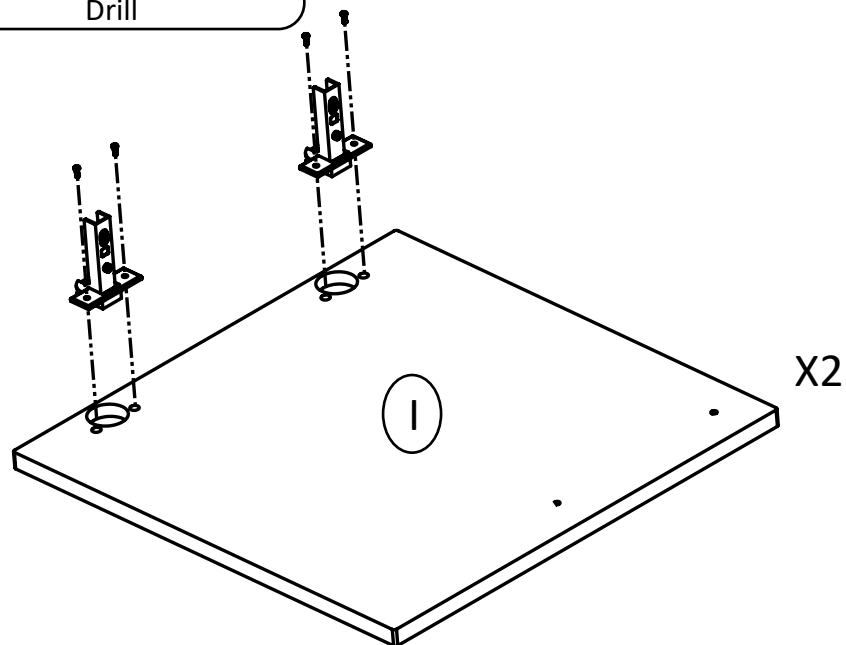
STEP 15

REQUIRES

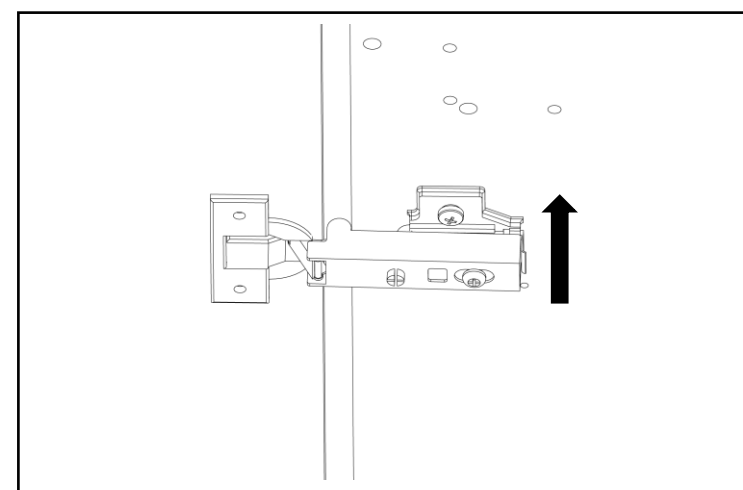
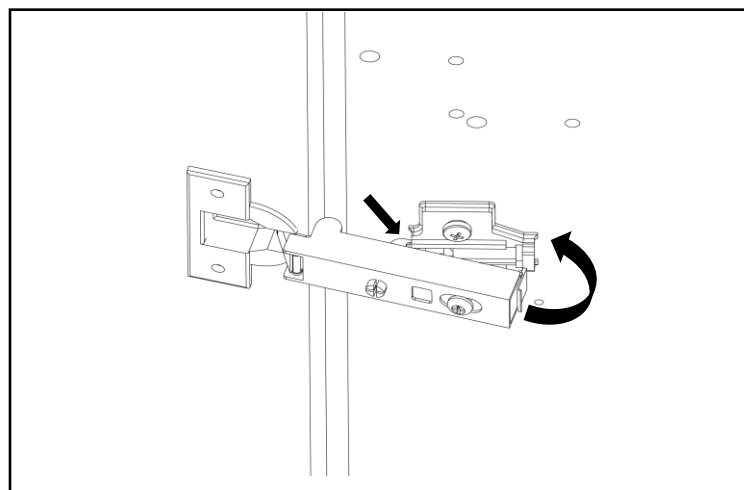
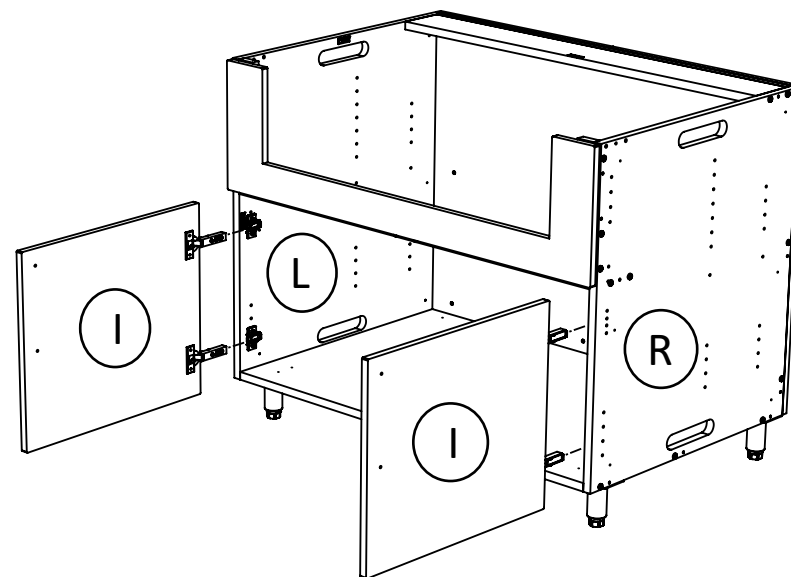
4 x Soft Close Hinge (H5)

8 x Hinge Screw (H6)

Drill



STEP 16



Lay the **Doors (I)** face-down on a smooth flat surface and insert 4 **Soft Close Hinges (H5)**. Make sure the screw holes align.

Using the **Drill** and 8 **Hinge Screws (H6)** screw the **Soft Close Hinges (H5)** to **Doors (I)**.

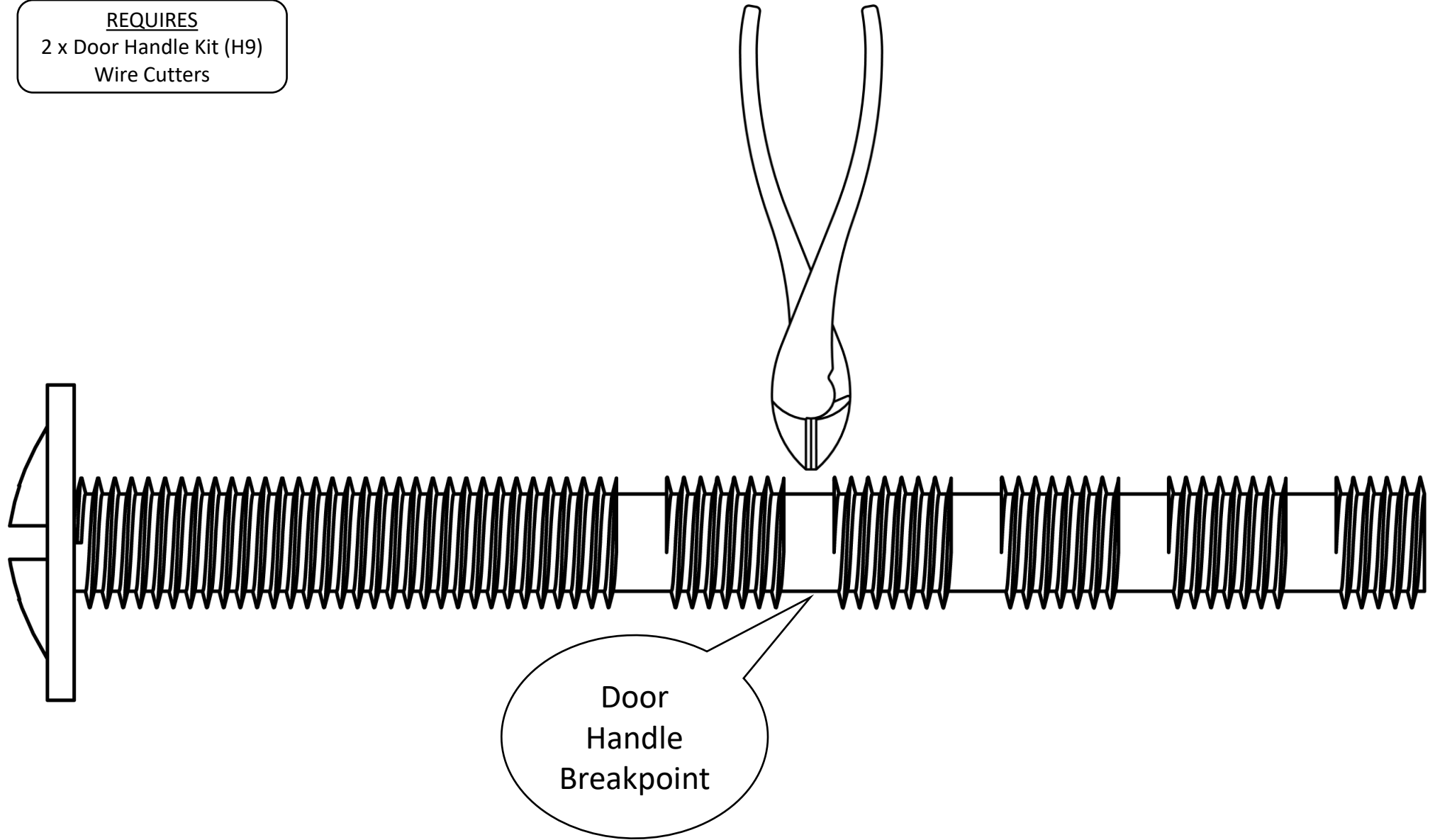
To attach the **Door (I)** – Locate the small 'hooks' on the underside of the **Soft Close Hinge** and hook them under the front of the **Hinge Plate**, then press the back of the **Hinge** towards the Plate until it 'clicks' into place. Repeat for the remaining **Hinges**.

STEP 17

REQUIRES

2 x Door Handle Kit (H9)

Wire Cutters

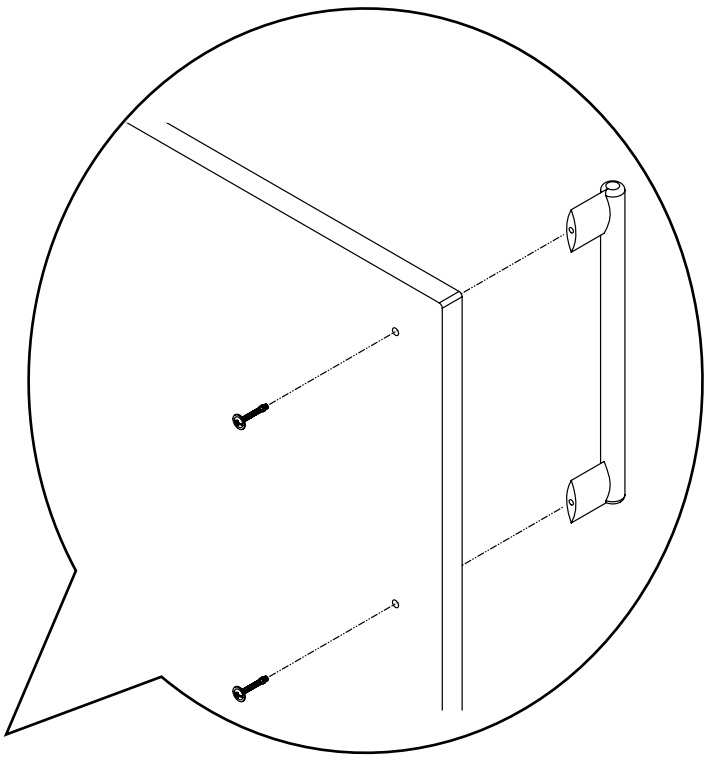
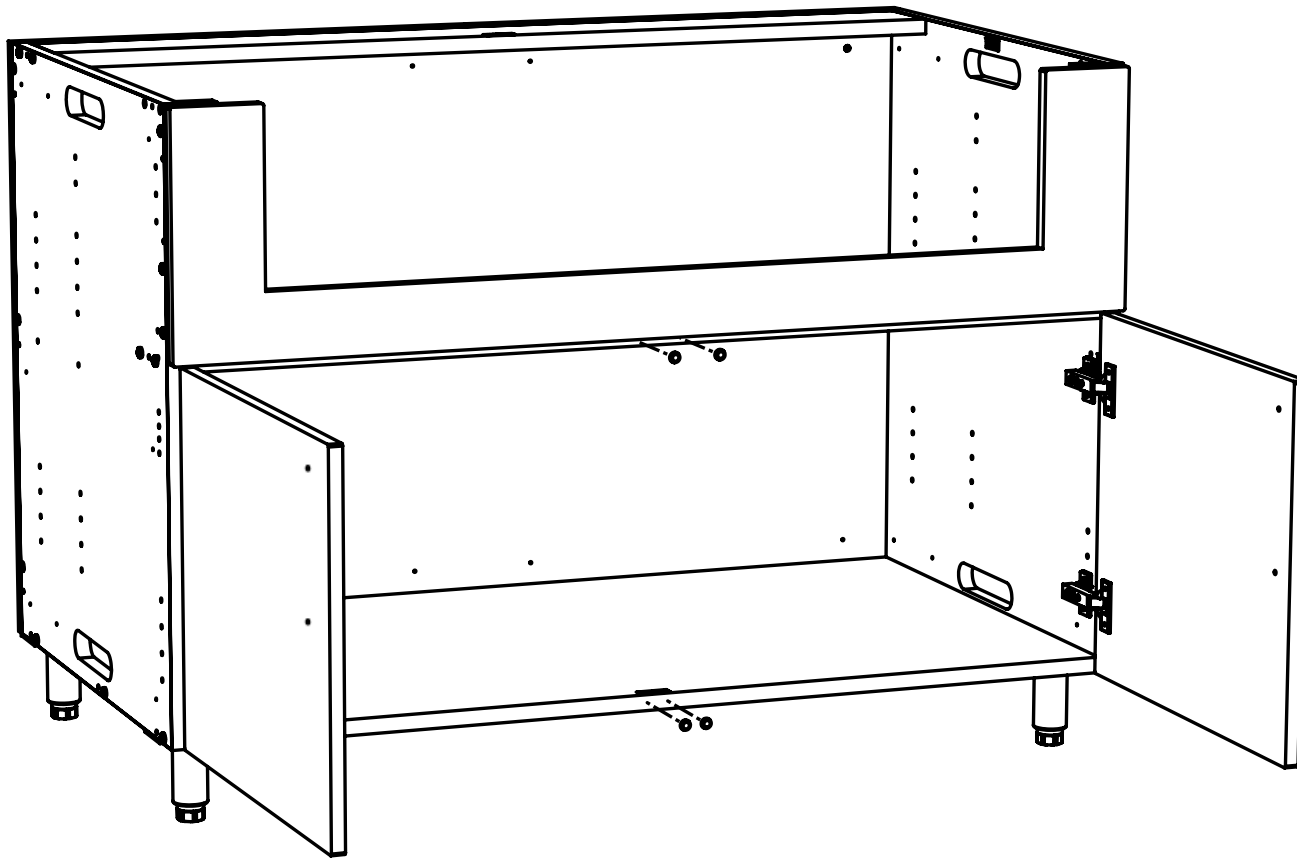


Use **Wire Cutters** or **Pliers** to cut the **Handle Screws** at the **Door Handle** break point

STEP 18

REQUIRES

- 2 x Door Handle Kit (H9)
- 4 x Clear Door Bumpers (H7)
- Drill



Screw door handle to both **Doors (I)** using the screws in the previous step, and place remaining **Door Bumpers (H7)**

Assembly Instructions – GB1827

18" wide x 27" deep Grill/Side Burner Base Cabinet

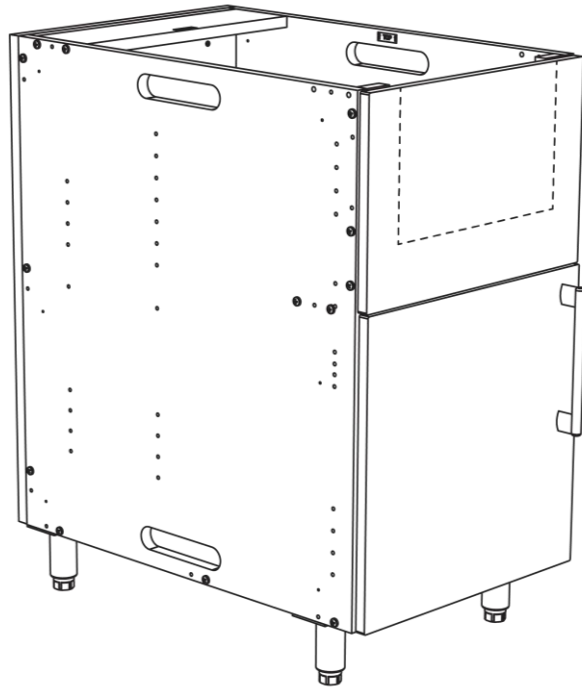
C2

18" Grill Base

Required:	Description:
1 – A1	18" Apron Front - HDPE
1 - C2	18" Grill Base Cabinet Panel Pack
1 - D2	Door & Decorative Back Panel Pack - HDPE
1 - E1	Cabinet End Panel Pack - 1-Pair
1 - K2	Assembly Hardware & Legs kit 02



For assistance visit
Weatherstrong.com
888-845-0004



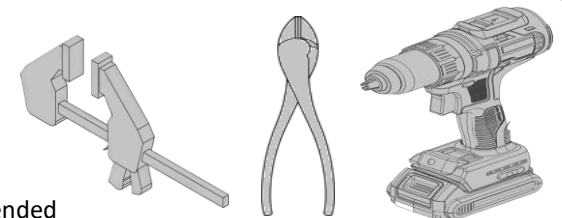
Before you start assembly, inspect all panels and hardware to ensure nothing is damaged and that you have everything required.

We recommend laying the components on the provided packaging to protect the finish when assembling.

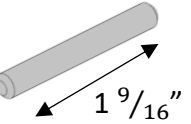
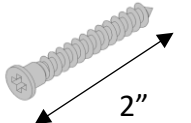
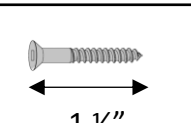
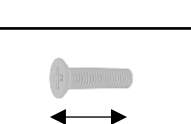
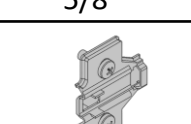
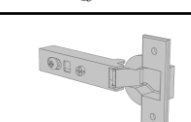
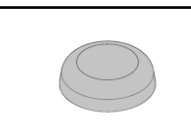

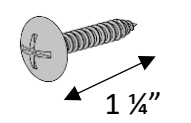

Required Tools

Electric Drill with Phillips and Square bit
Wire Cutters
Tape Measure
2x C-Clamp

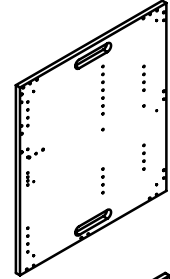
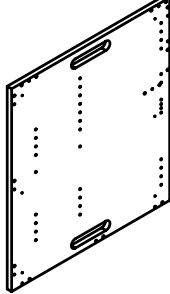
CAUTION : Safety glasses and gloves recommended



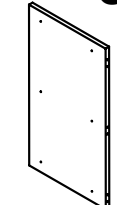
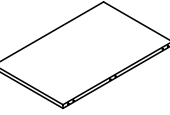
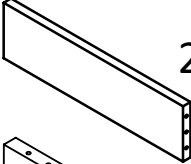
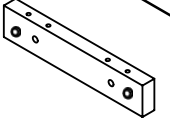

Hardware Kit K2

Picture	Qty	Item	Item ID
 1 9/16"	20	Locator Dowel	(H1)
 2"	26	Assembly Screw	(H2)
 1 1/4"	26	Attachment Screw	(H3)
 5/8"	4	Hinge Screw	(H6)
	2	Hinge Plate (with pre-mounted screws)	(H4)
	2	Soft Close Hinge	(H5)
	2	Door Bumper	(H7)
	1	Door Handle Kit	(H9)
 1 1/4"	6	Drawer Front Screw (1 1/4" screw)	(H8)
	2	Cabinet Leg 2PK	(H10)

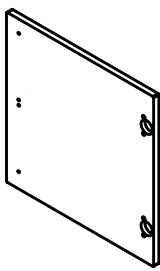
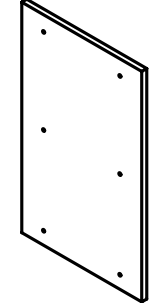
Cabinet Kit PACK E1

Picture	Qty	Item	Item ID
	1	End Panel Left	(L)
	1	End Panel Right	(R)

Cabinet Kit PACK C2

	1	Back Panel	(B)
	1	Fixed Shelf	(F)
	2	Cross Brace	(C)
	2	Apron Support	(E)
	1	Apron Rail	(D)

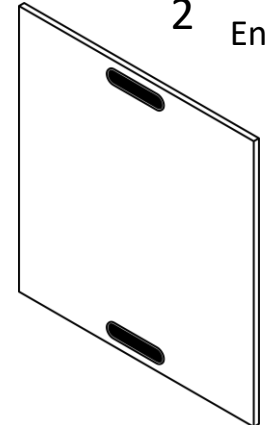
Finish Kit PACK D2

Picture	Qty	Item	Item ID
	1	Door	(I)
	1	Matching Back Panel	(J)

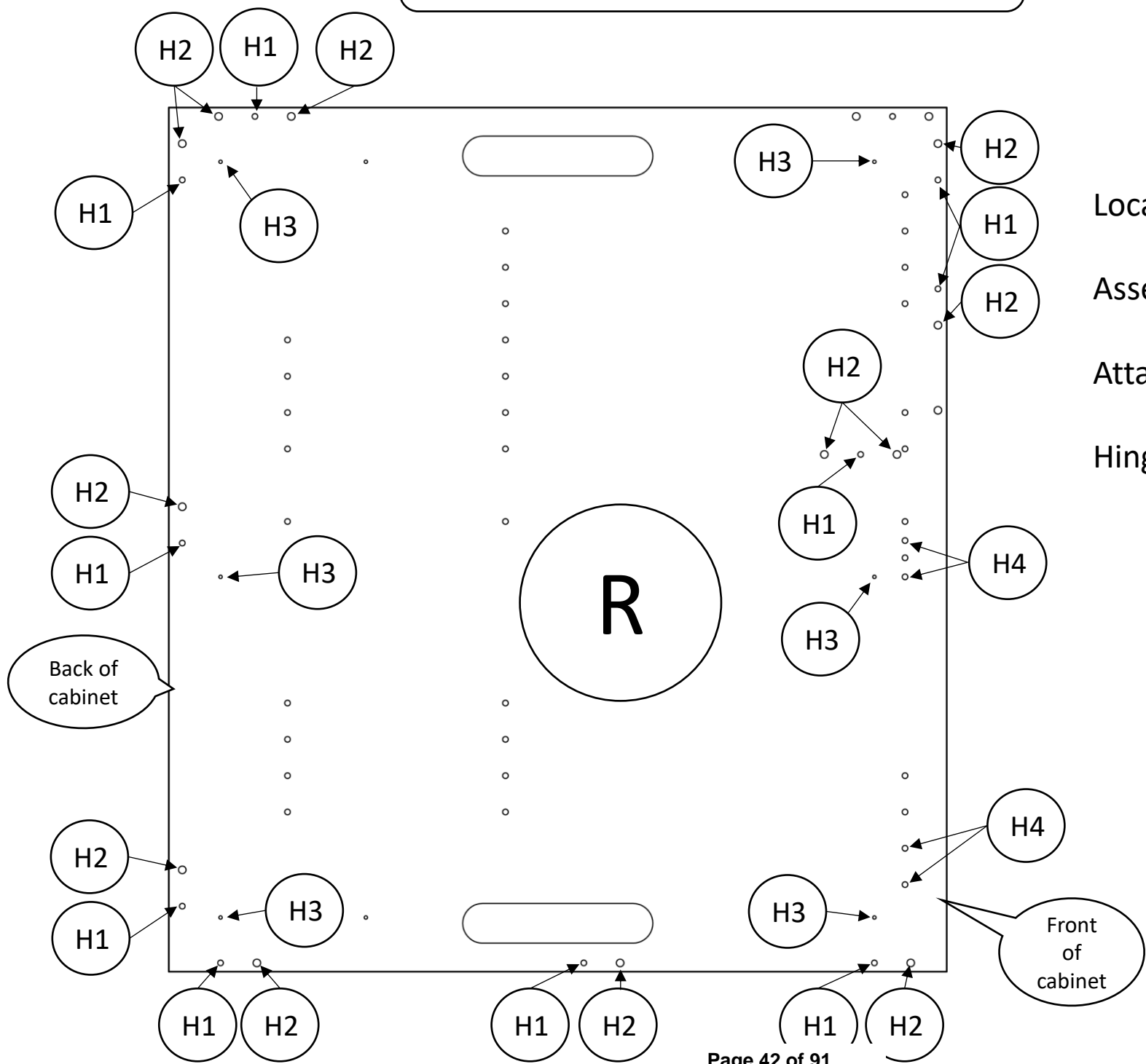
Finish Kit PACK A1

	1	Apron Front	(H)
--	---	-------------	-----

PACK B1 (Optional)

	2	Matching End Panel	(P)
---	---	--------------------	-----

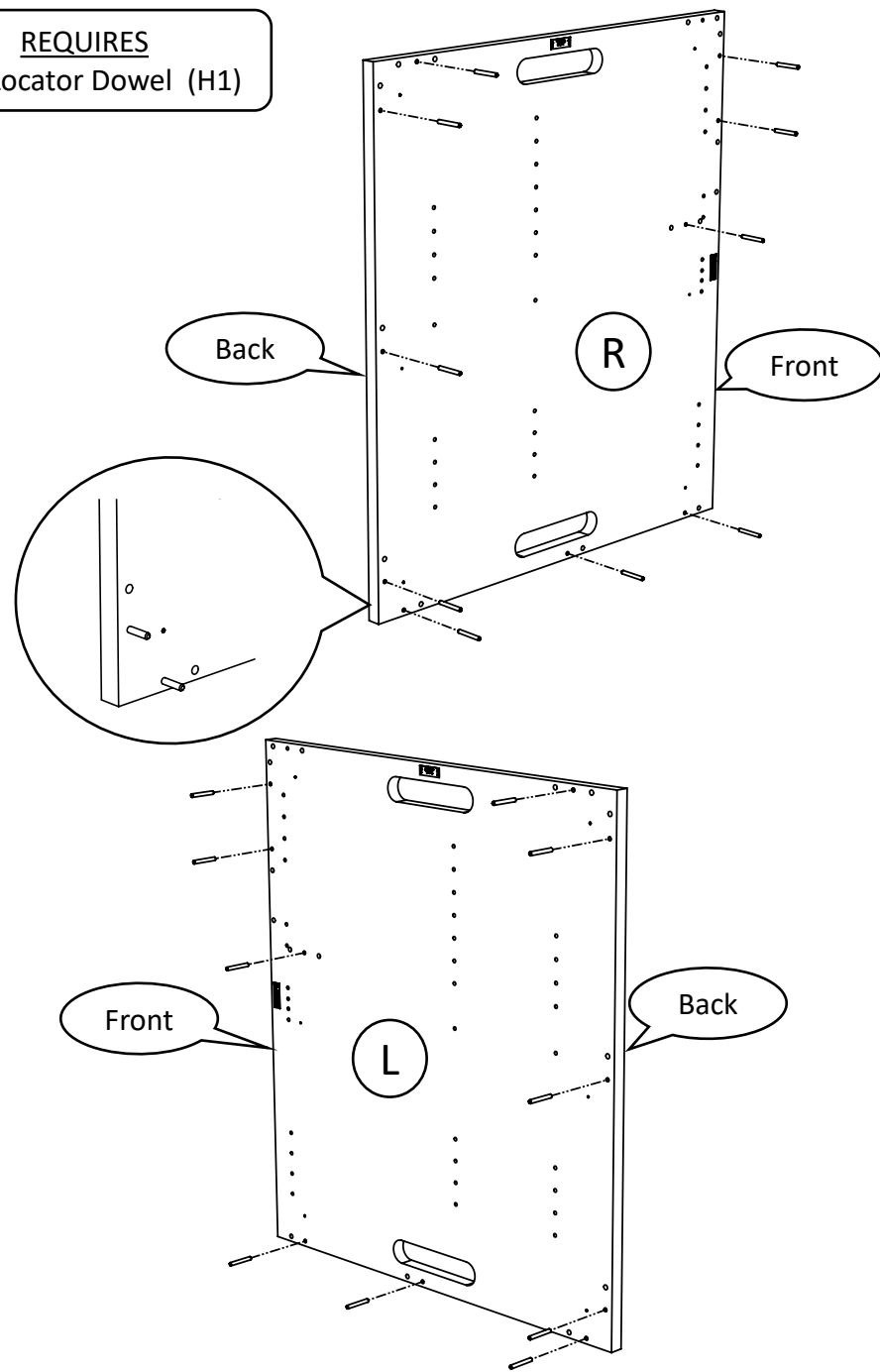
Hole Assignments: Pack E1
 Hole Assignments – Right End Panel



- Locator Dowel holes (H1)
- Assembly Screw holes (H2)
- Attachment Screw holes (H3)
- Hinge Plate Screw holes (H4)

STEP 1

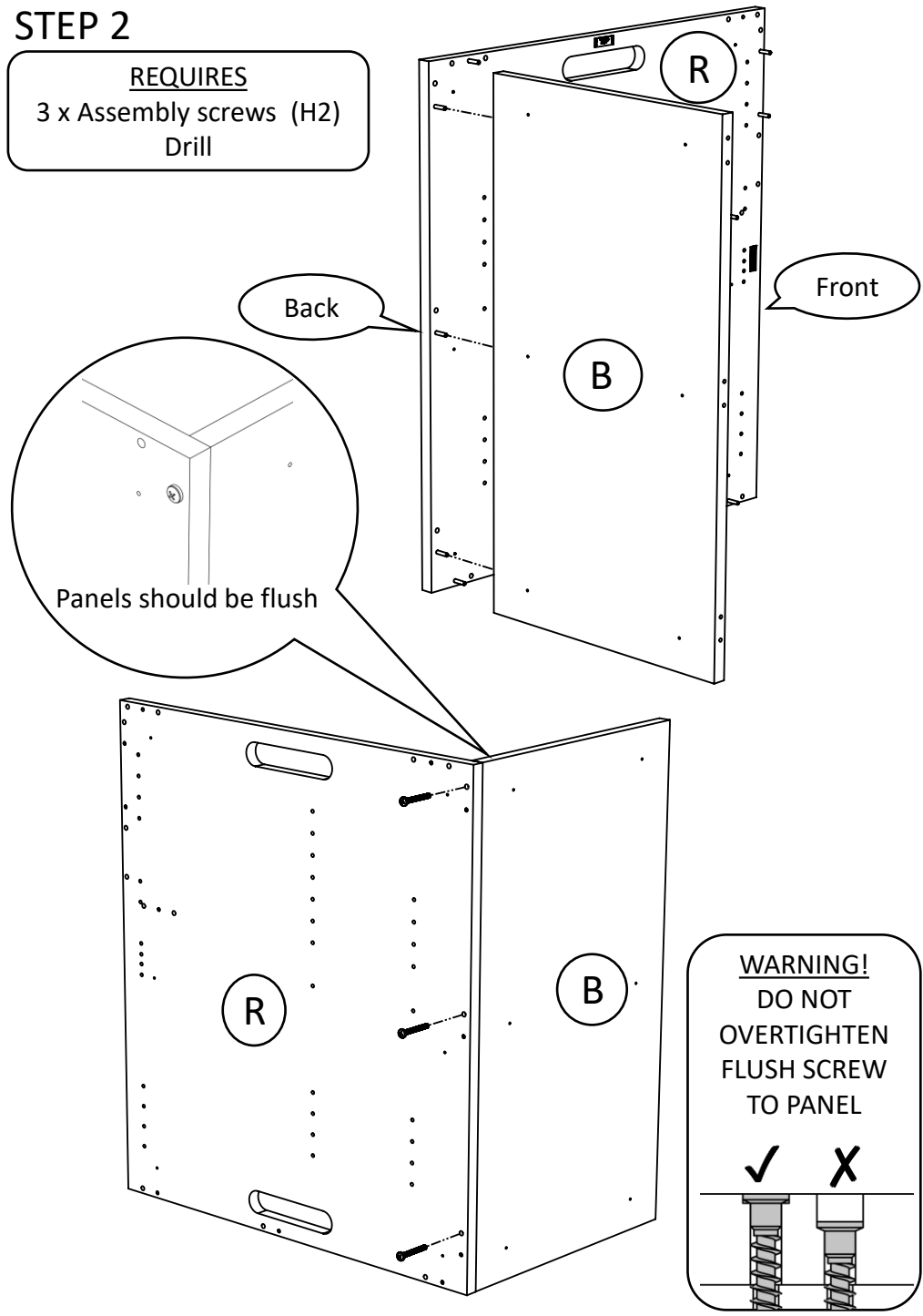
REQUIRES
20 x Locator Dowel (H1)



Lay **Panel (R)** and **(L)** on a flat surface and insert **Locator Dowel (1)** in the correct locator dowel holes. Reference pages 3 and 4.

STEP 2

REQUIRES
3 x Assembly screws (H2)
Drill

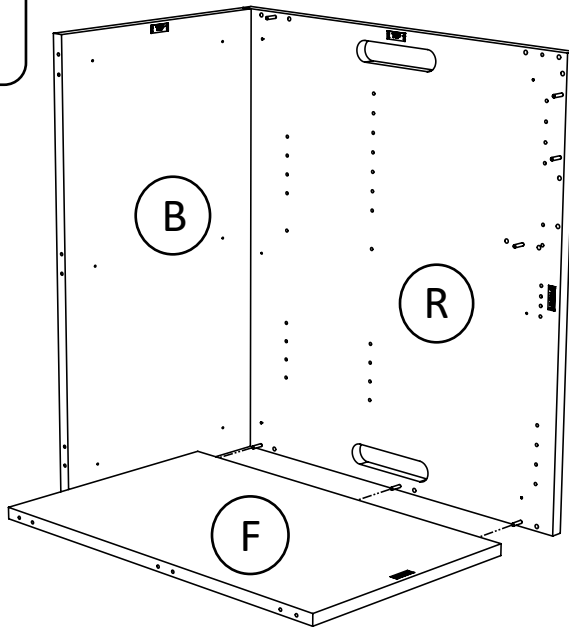


Insert the 3 **Locator Dowels** on the left side of **Panel (R)** into the locator dowel holes on the side of **Panel (B)**. Use the **Drill** and 3 **Assembly Screws (H2)** to screw **Panel (R)** to **Panel (B)**. If **Panel (B)** is not flush or inset with the edge of **Panel (R)** rotate **Panel (B)** 180 degrees.

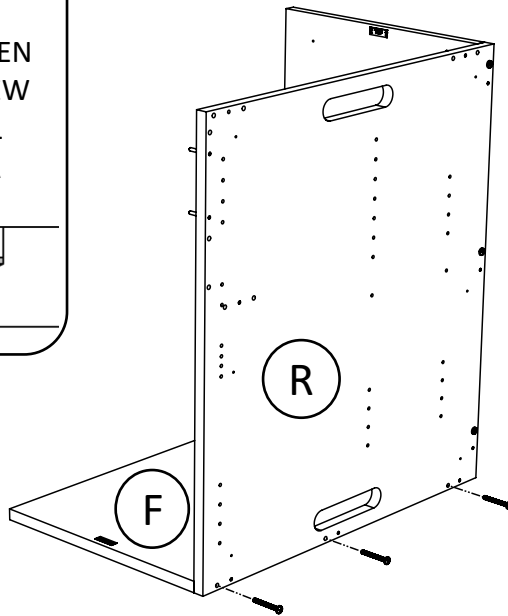
STEP 3

REQUIRES

3 x Assembly screws (H2)
Drill



WARNING!
DO NOT
OVERTIGHTEN
FLUSH SCREW
TO PANEL

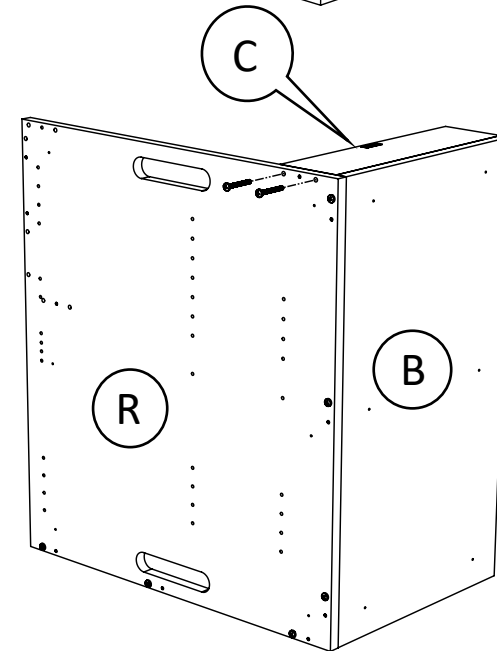
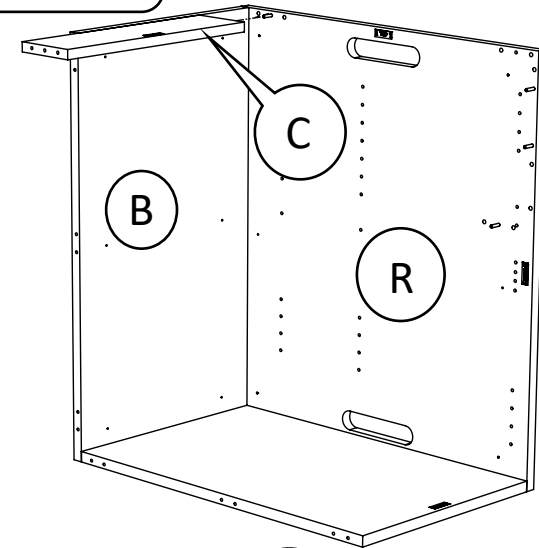


Insert the 3 **Locator Dowels** on the bottom of **Panel (R)** into the locator dowel holes on the side of **Panel (F)**. Use the **Drill** and 3 **Assembly Screws (H2)** to screw **Panel (R)** to **Panel (F)**.

STEP 4

REQUIRES

2 x Assembly screws (H2)
Drill



Insert **Locator Dowel (H1)** on **Panel (R)** into locator dowel hole on **Panel (C)**. Now, use the **Drill** and 2 **Assembly Screws (H2)** to screw **Panel (R)** to **Panel (C)**.

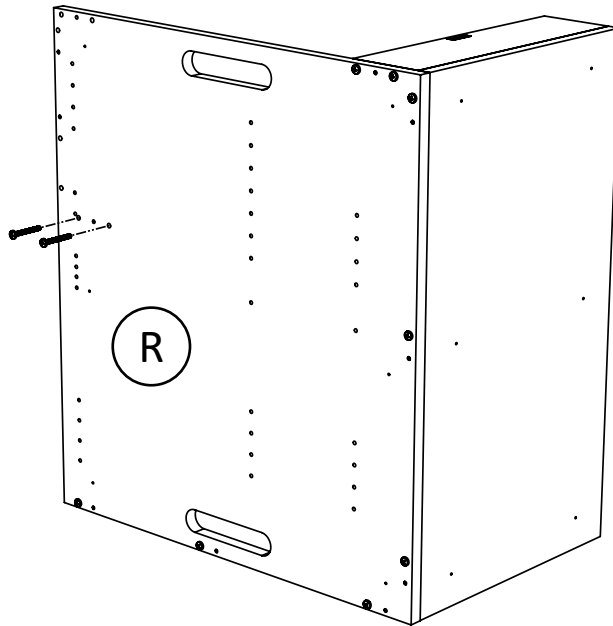
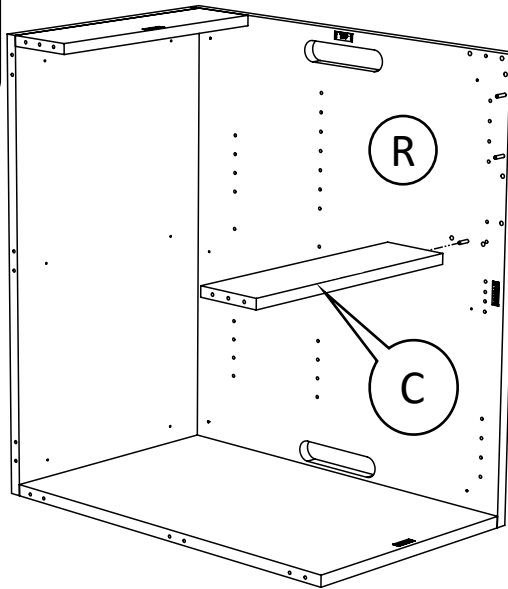
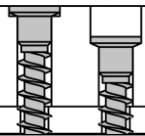
STEP 5

REQUIRES

2 x Assembly screws (H2)
Drill

WARNING!

DO NOT
OVERTIGHTEN
FLUSH SCREW
TO PANEL

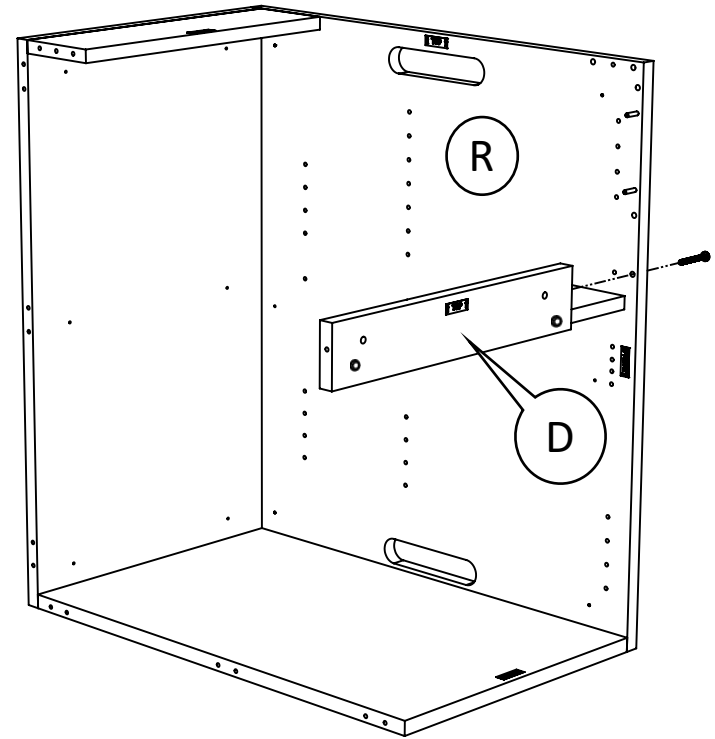


Insert the **Locator Dowel (H1)** on **Panel (R)** into the locator dowel hole on **Panel (C)**. Now, use the **Drill** and 2 **Assembly Screws (H2)** to screw **Panel (R)** to **Panel (C)**.

STEP 6

REQUIRES

1 x Assembly screws (H2)
Drill

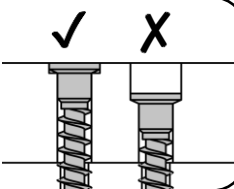
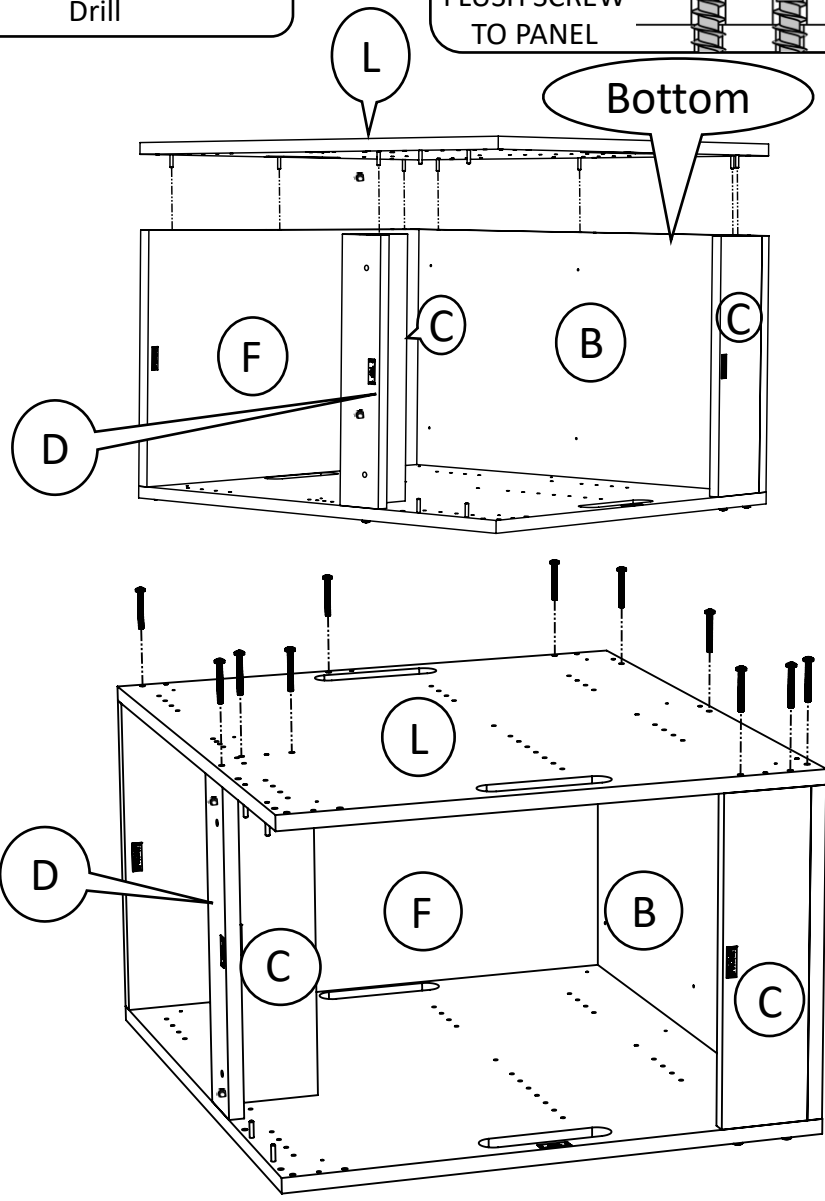


Use the **Drill** and 1 **Assembly Screw (H2)** screw **Panel (R)** to **Panel (D)**.

STEP 7

REQUIRES
11 x Assembly screws (H2)
Drill

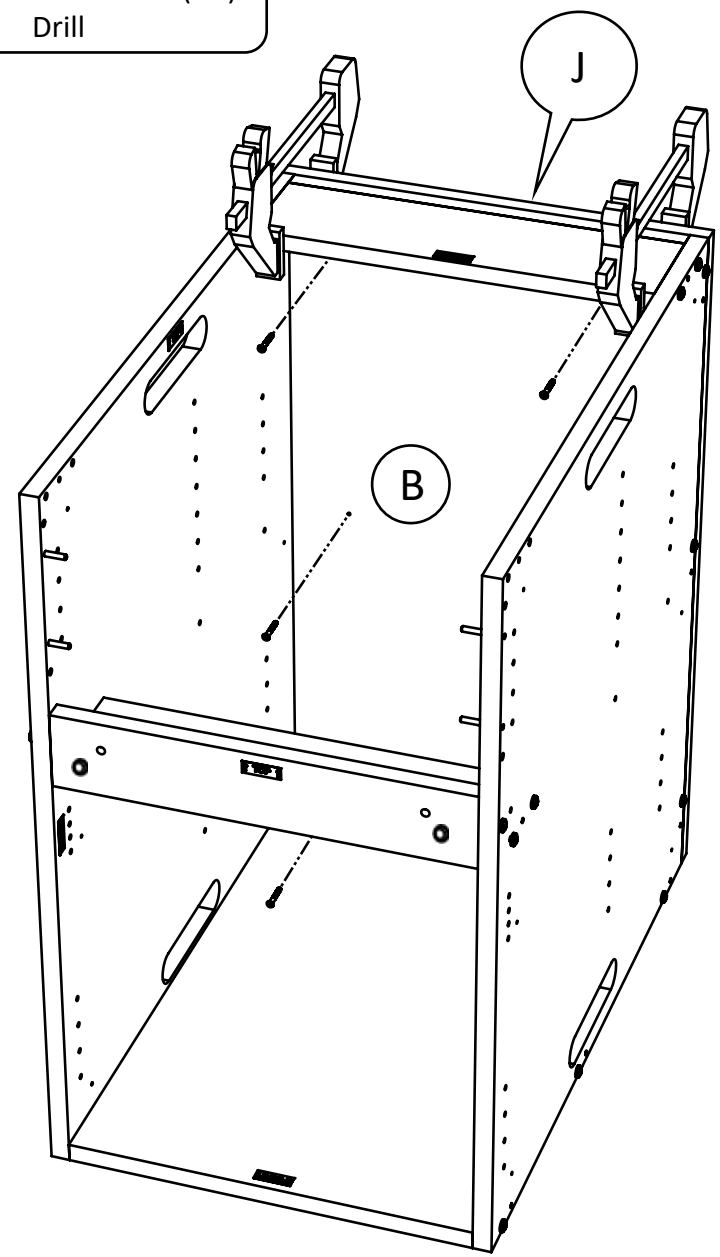
WARNING!
DO NOT
OVERTIGHTEN
FLUSH SCREW
TO PANEL

Insert the **Locator Dowels** on **Panel (L)** into the locator dowel holes on the sides of **Panels (F), (C), (D), and (B)**. Using the **Drill** and **8 Assembly Screws (H2)**, screw **Panel (L)** to **Panels (F), (C), (D) and (B)**.

STEP 8

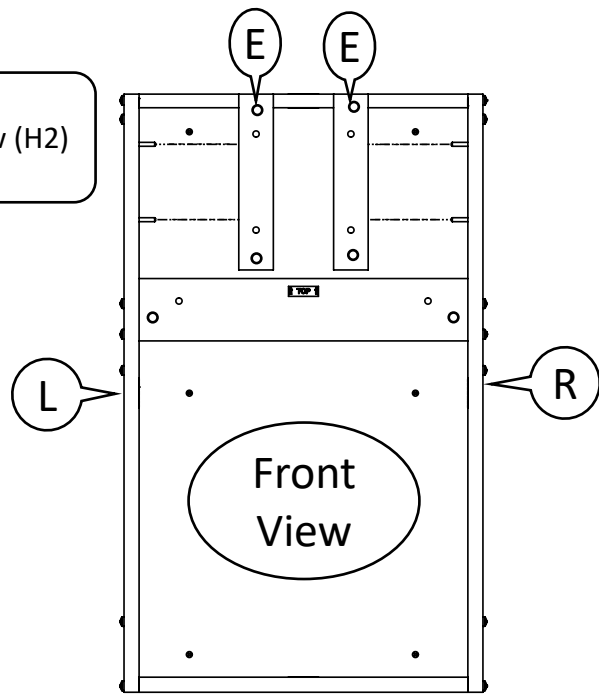
REQUIRES
6 x Attachment Screws (H3)
Drill



Align the attachment screw holes in **Panel (B)** with the attachment screw holes in **Panel (J)**. Then using the **Drill** and **6 Attachment Screws (H3)**, screw **Panel (B)** to **Panel (J)**.

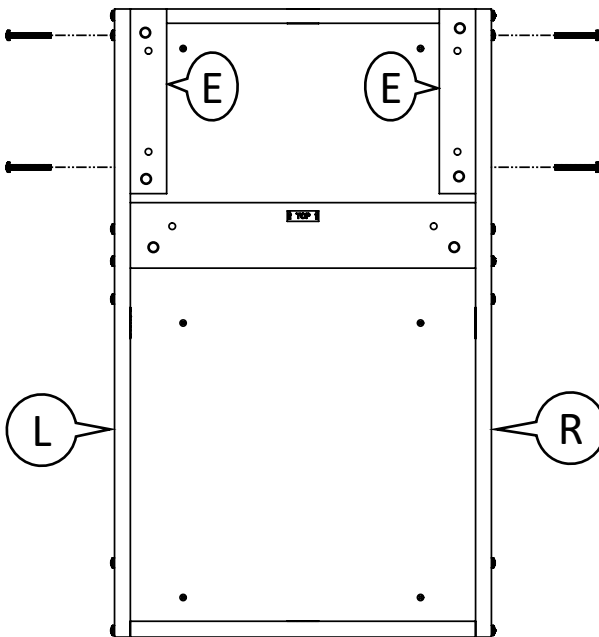
STEP 9

REQUIRES
4 x Assembly Screw (H2)
Drill



WARNING!
DO NOT
OVERTIGHTEN
FLUSH SCREW
TO PANEL

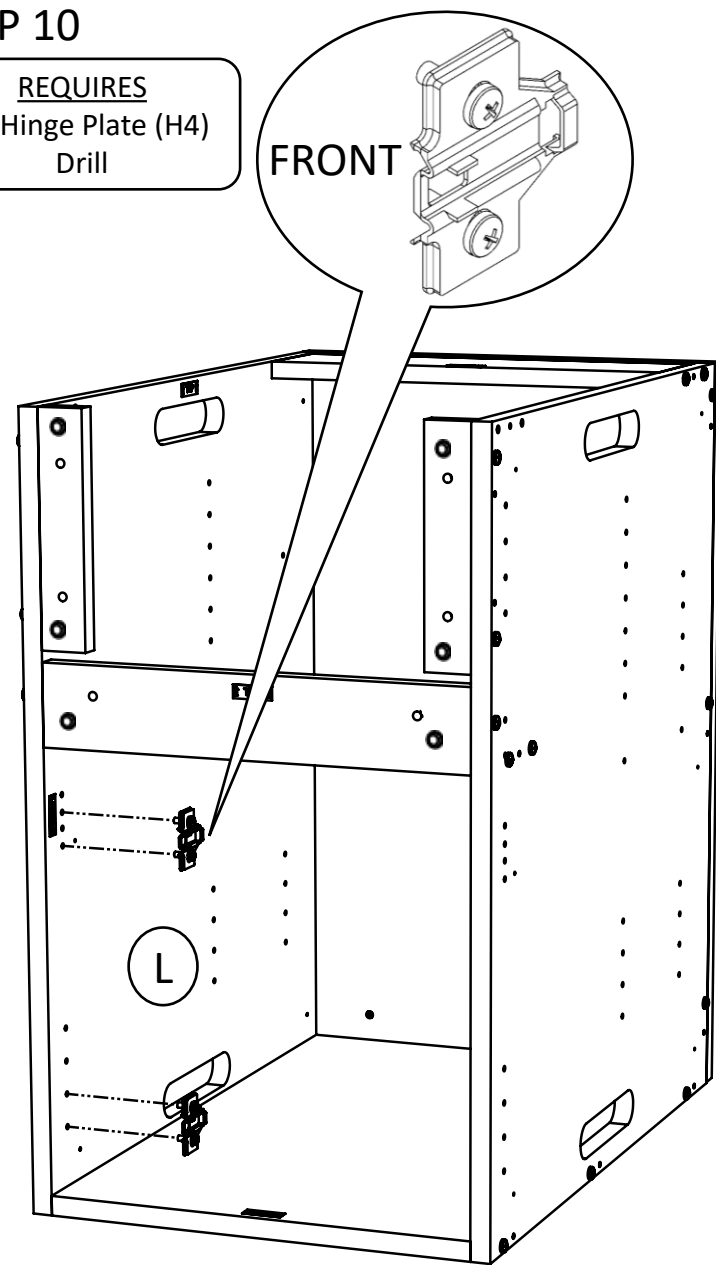
✓ X



Insert the 2 **Locator Dowels** (H1) on **Panel (L)** and **Panel (R)** into locator dowel holes on **Panels (E)**. Then, using the **Drill** and 4 **Assembly Screws** (H2) (2 per each panel), screw **Panels (R)** and **(L)** to **Panels (E)**.

STEP 10

REQUIRES
2 x Hinge Plate (H4)
Drill



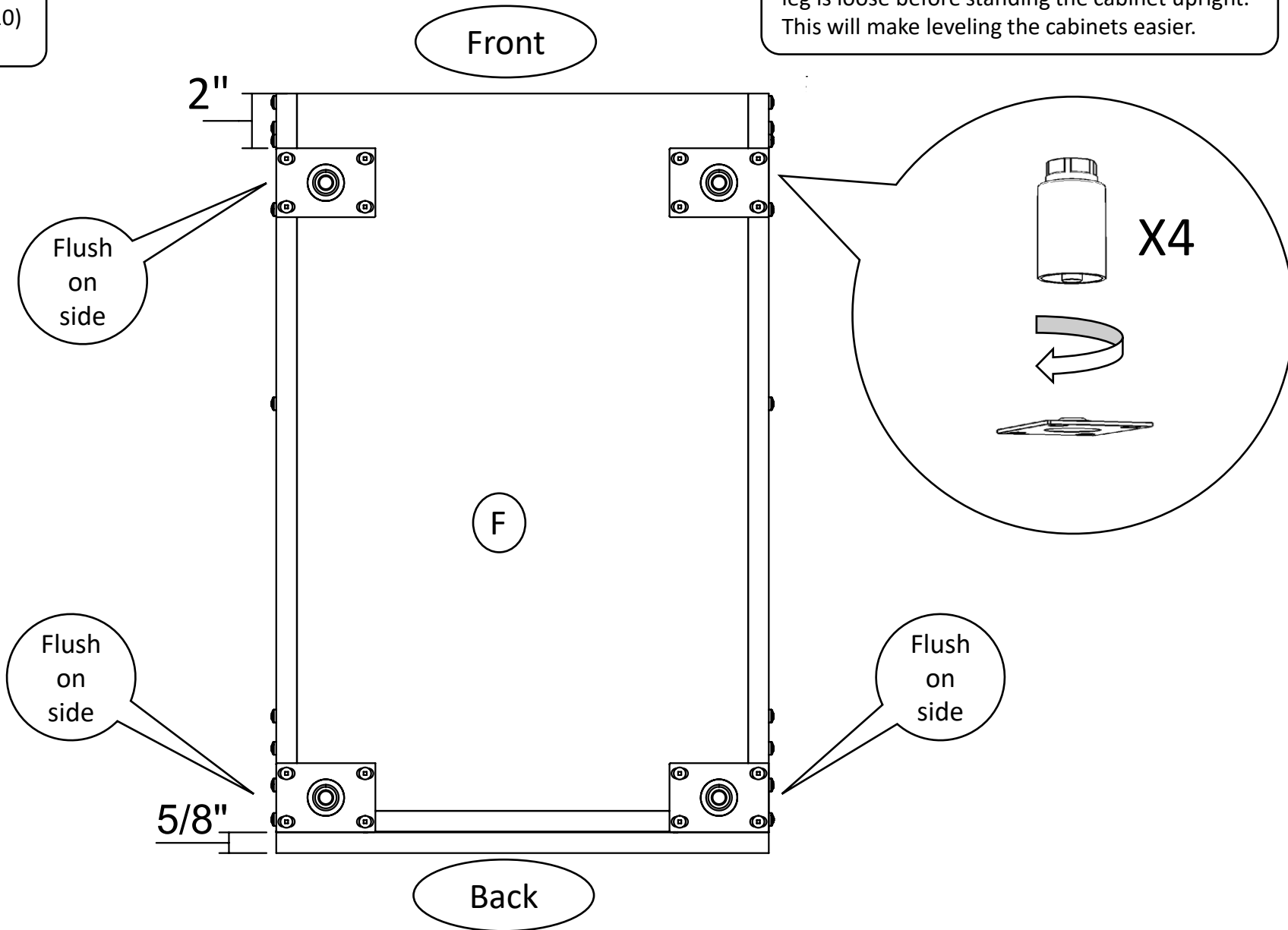
Using the **Drill**, screw 2 **Hinge Plate** (H4) into the correct hinge plate holes. **Hinge Plates** can be attached to either side depending on which way the door will open. Reference hole assignment on page 3 or 4.

STEP 11

REQUIRES

- 2 x Cabinet Leg packs (H10)
- Drill

Pro Tip: Make sure the adjustable end of each leg is loose before standing the cabinet upright. This will make leveling the cabinets easier.



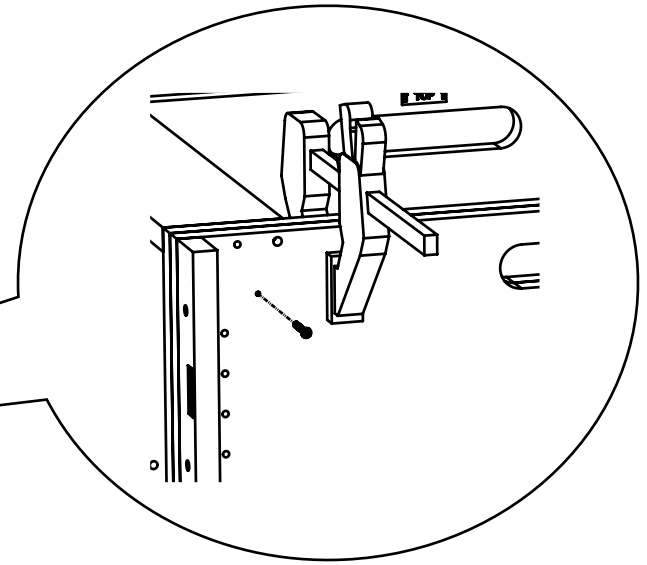
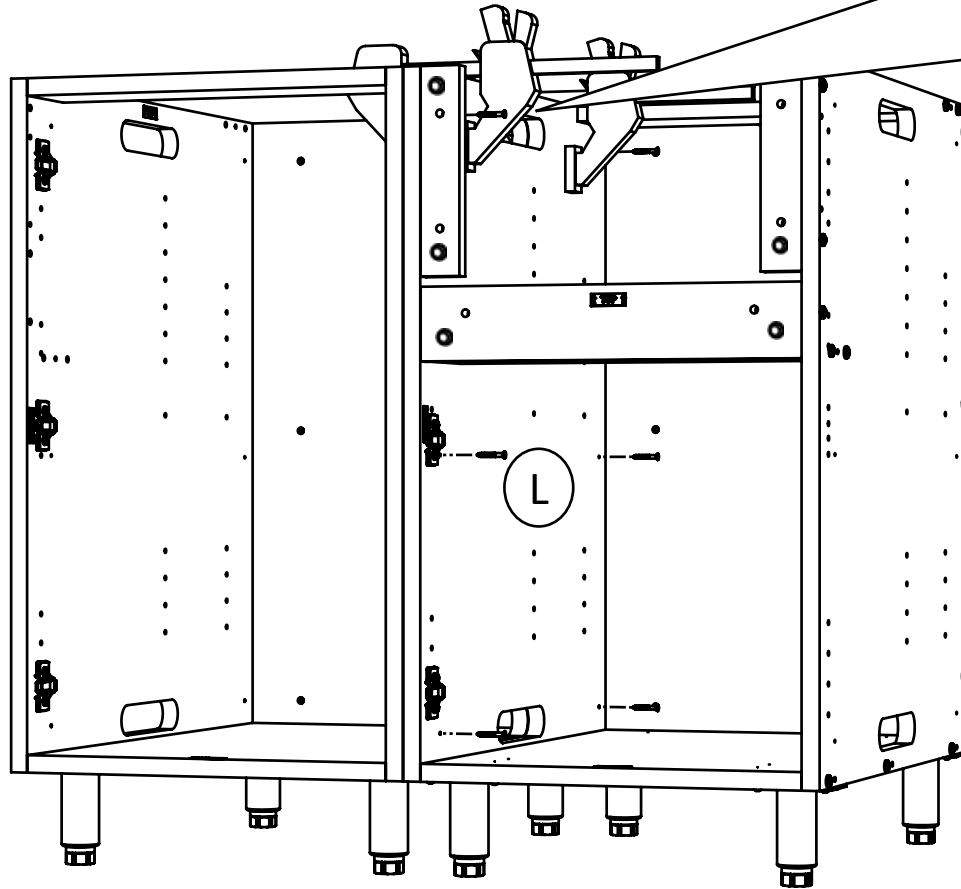
Cabinet Leg Pack (H10) consists of 2 cabinet legs, 2 cabinet leg plates and 8 screws. Screw front cabinet leg plates onto the cabinet 2 inches from the front, and flush to the sides. Screw back cabinet leg plates onto the cabinet 5/8 of an inch from the back and flush to the sides. Now, screw on the 4 adjustable legs.

STEP 12 (Depends on location of cabinet)

REQUIRES

6 x Attachment Screws
(H3) & Drill

Option A: Joining Cabinets Together



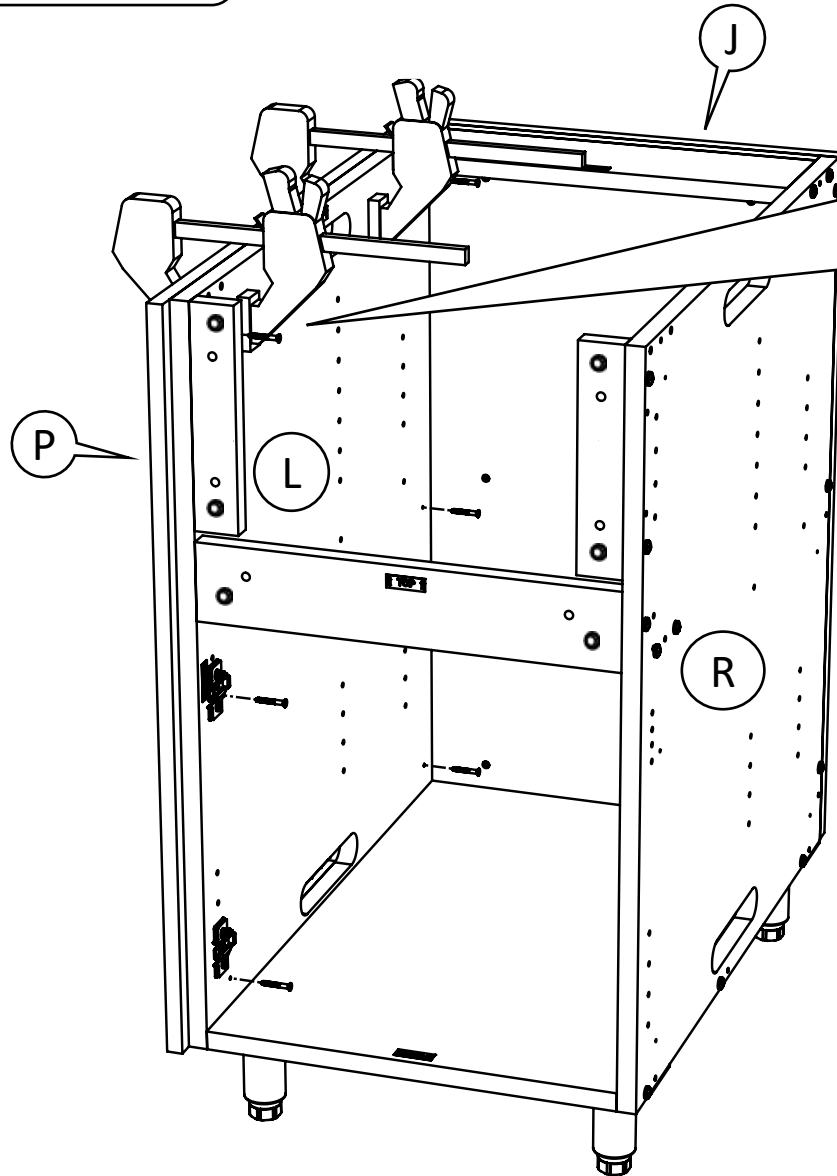
Option A: Screwing Cabinets Together – align the Attachment Screw holes in each cabinet and using the **Drill** and 6 **Attachment Screws** (H3) screw the cabinets together. You may wish to use a C-clamp to secure panels in place while attaching. Make sure the cabinet sides are flush in front and back.

STEP 12 (Depends on location of cabinet)

REQUIRES

6 x Attachment Screws (H3)
Drill

Option B: Applying A Finished End

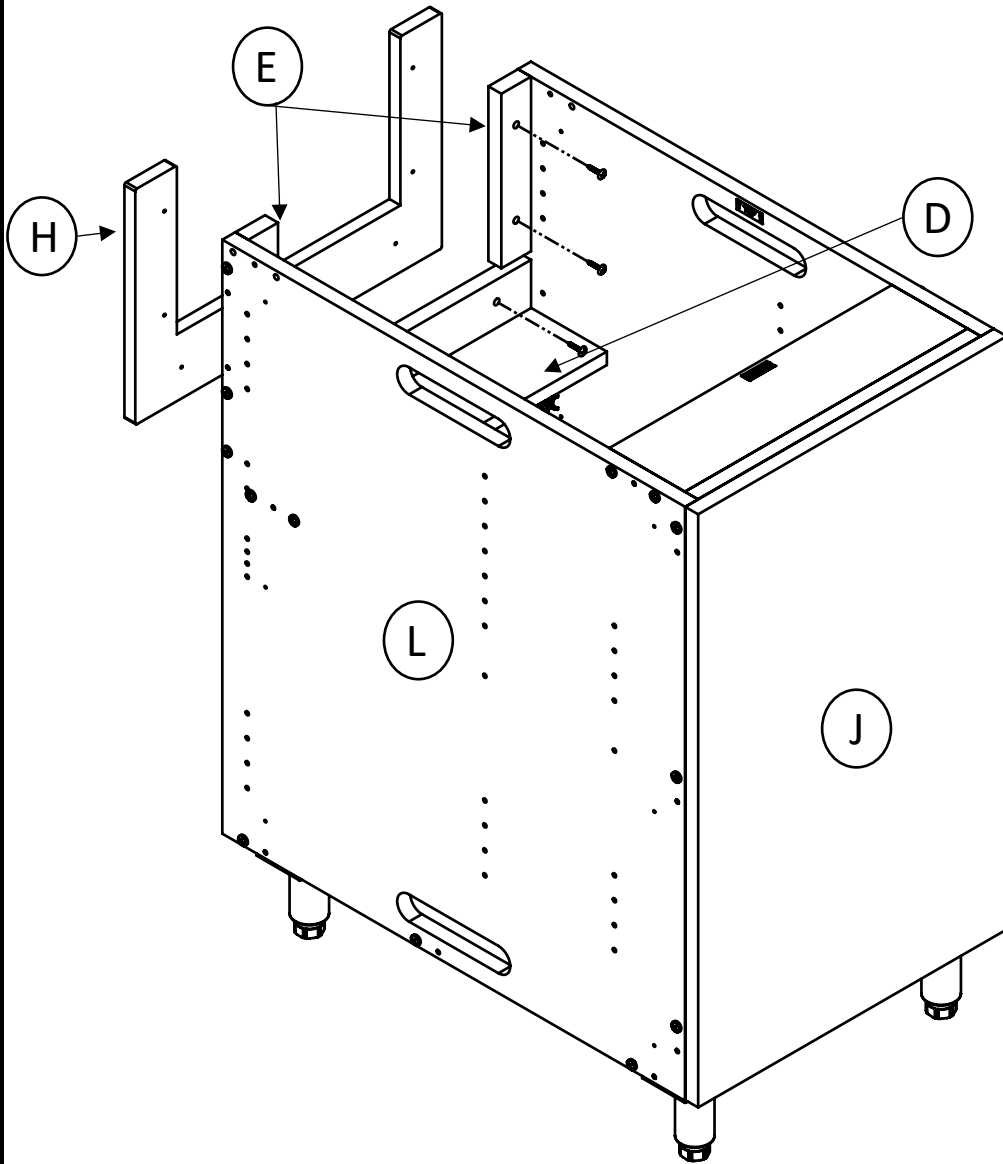


Option B: Applying Finished End – align **Panel (P)** to **Panel (L)** or **Panel (R)**, ensure **Panel (P)** is flush to the back of **Panel (J)**. Using the **Drill** and **6 Attachment Screws (H3)** screw **Panel (L)** or **(R)** to **Panel (P)**. You may wish to use a C-clamp to secure panels in place while attaching. The back edge of **Finished End (P)** should be flush with **Panel (J)**. The front edge will protrude in front of the cabinet until the doors are installed

STEP 13

REQUIRES

6 x Drawer Front Screw (H8)
Drill

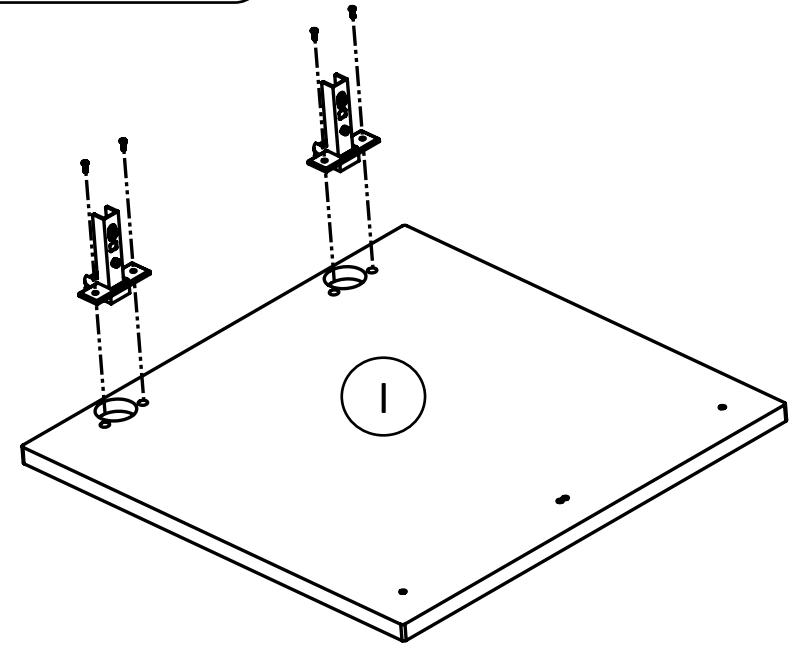


Make sure the Matching Apron is cut first. Using the **Drill** and 6 **Drawer Front Screws** (H8) screw **Panel (H)** to **Panels (E)** and **Panel (D)**

STEP 14

REQUIRES

2 x Soft Close Hinge (H5)
4 x Hinge Screw (H6)
Drill



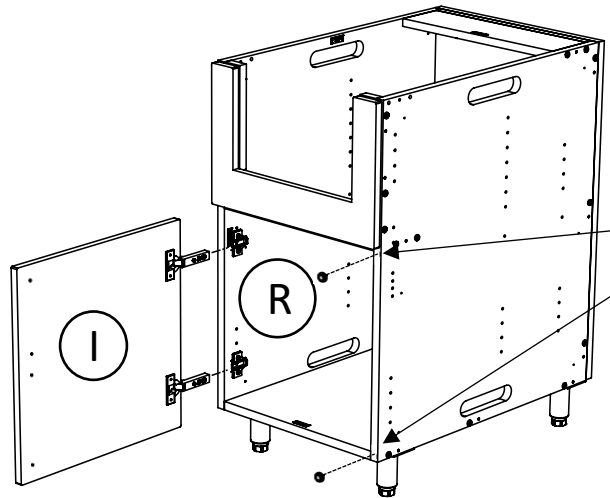
Lay the **Door (I)** face-down on a smooth flat surface and insert 2 **Soft Close Hinges** (H5). Make sure the screw holes align. Using the **Drill** and 4 **Hinge Screws** (H6) screw the **Soft Close Hinges** (H5) to **Door (I)**.

STEP 15

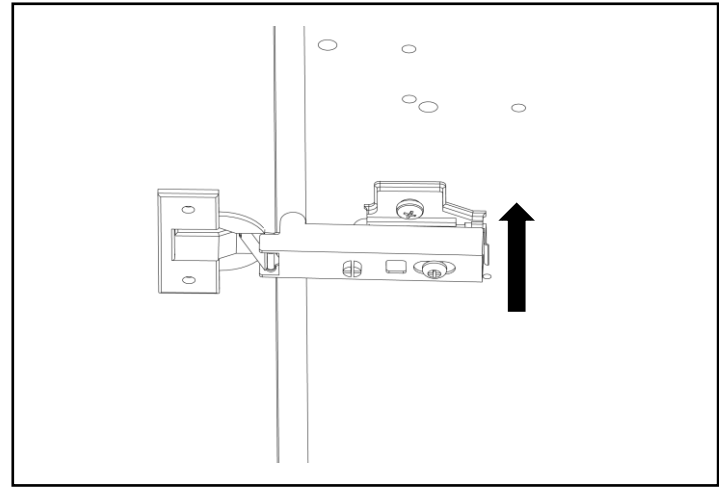
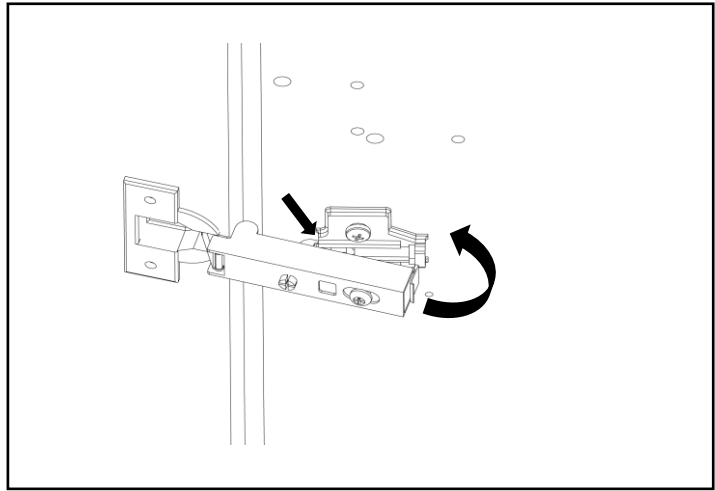
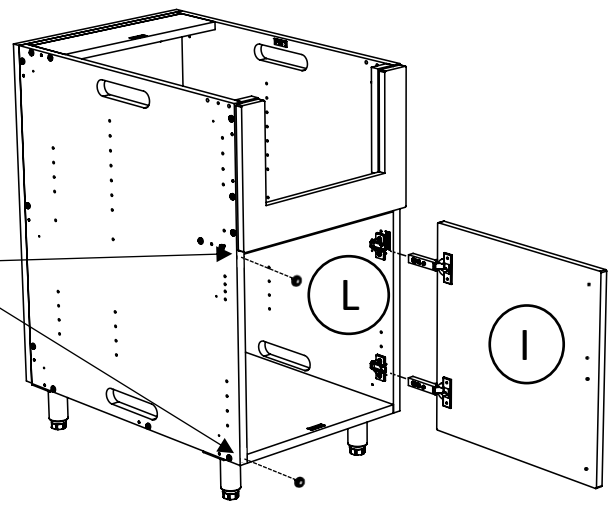
REQUIRES
2 x Door Bumpers (H7)

Left Door

Right Door



Depending on which side you hang the door, place bumpers accordingly.



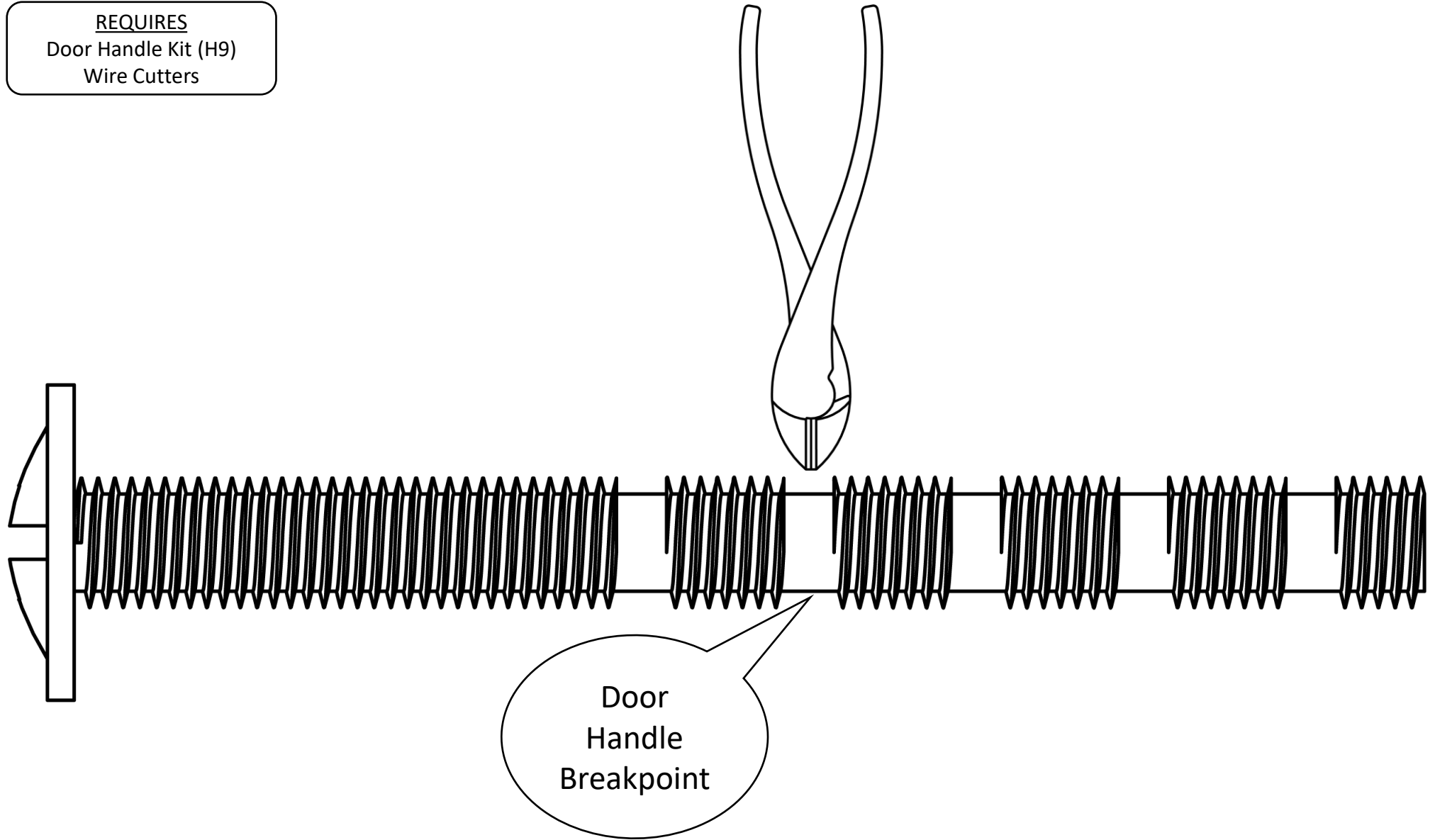
To attach the **Door (I)** – Locate the small ‘hooks’ on the underside of the **Soft Close Hinge** and hook them under the front of the **Hinge Plate**, then press the back of the **Hinge** towards the **Plate** until it ‘clicks’ into place.

STEP 16

REQUIRES

Door Handle Kit (H9)

Wire Cutters



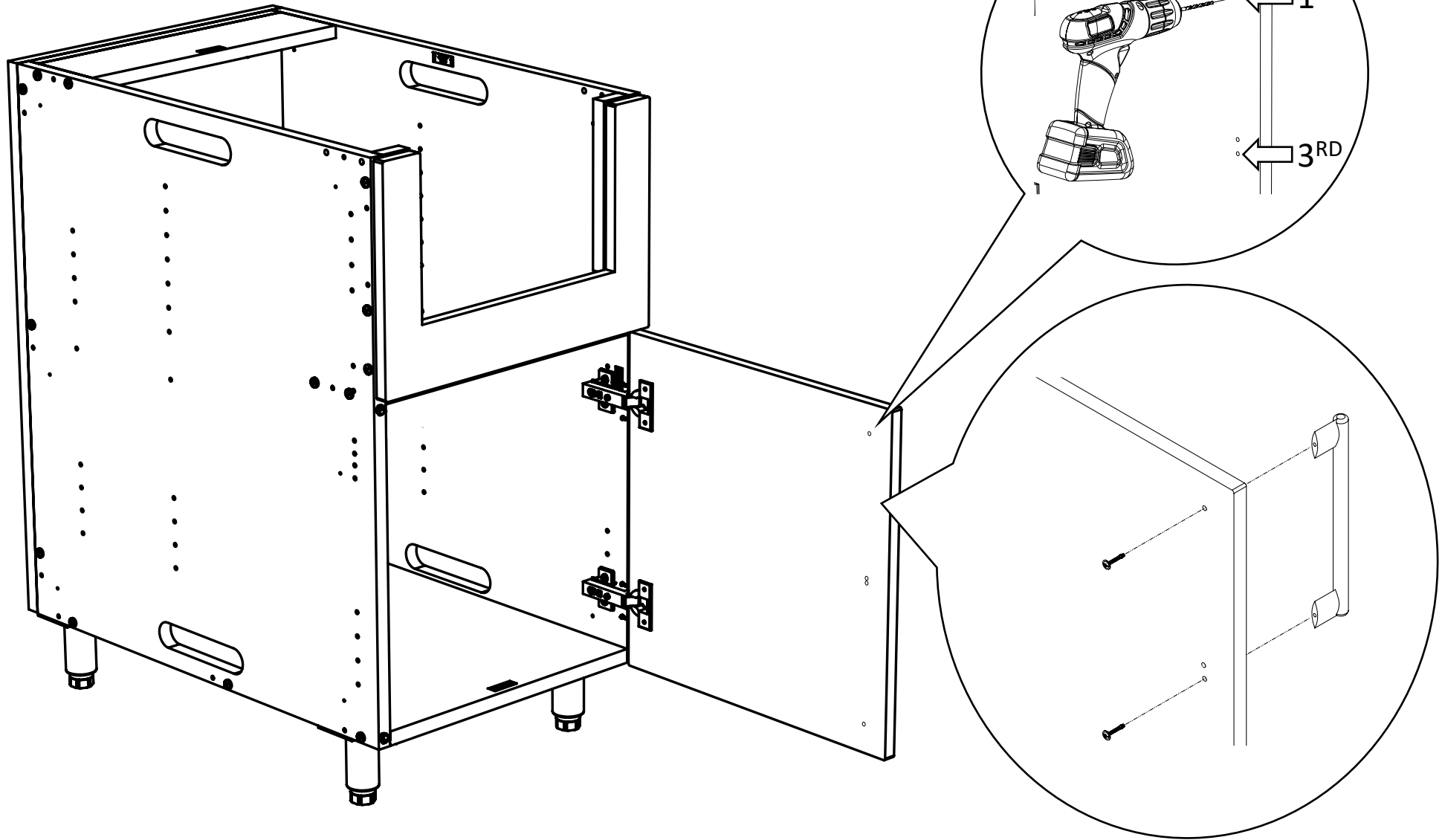
Use **Wire Cutters** or **Pliers** to cut the **Handle Screws** at the **Door Handle** breakpoint

STEP 17

REQUIRES

1 x Door Handle Kit (H9)

Drill



Once door is installed on the correct side of the cabinet, drill through the **1ST** and **3RD** top handle pilot holes with a 9/64" diameter drill bit. Then, attach **Door Handle (H9)** with two handle screws

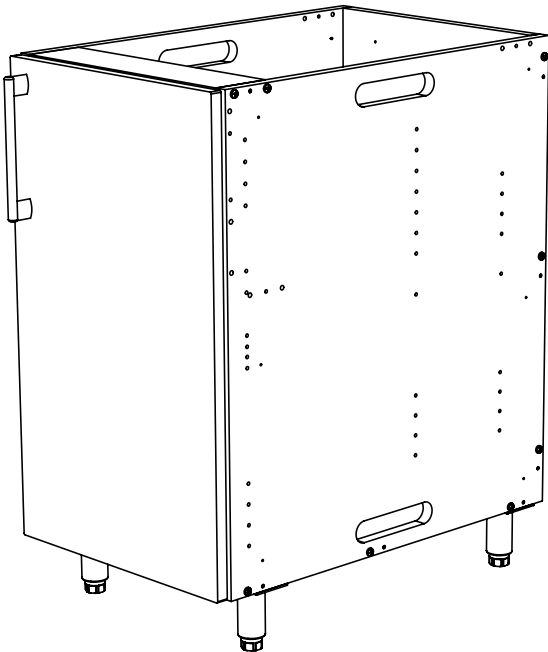
Assembly Instructions – B1827FH

18" wide x 27" deep Full Height Base Cabinet

Requires:	Description:
1 – C1	18" wide Base Cabinet Panel Kit
1 - D1	Door & Back Panel Pack - HDPE
1 - E1	Cabinet End Panel Pack - 1-Pair
1 - K1	Assembly Hardware & Legs Kit 01



For assistance visit
Weatherstrong.com
888-845-0004



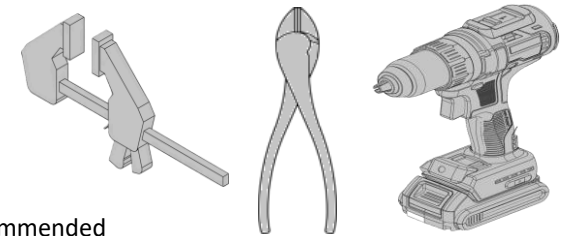
Before you start assembly, inspect all Panels and hardware to ensure nothing is damaged and that you have everything required.

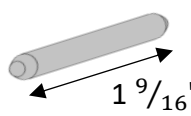
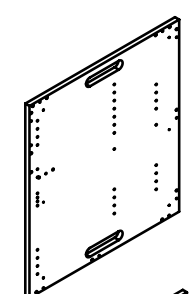
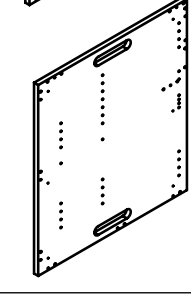
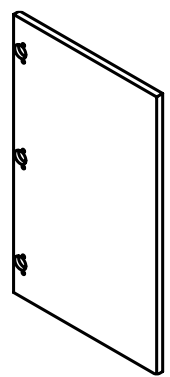
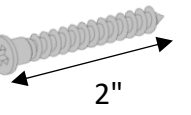
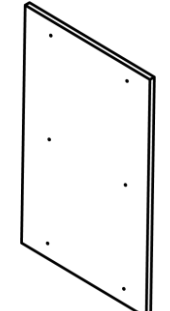
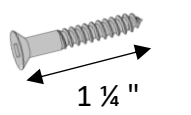
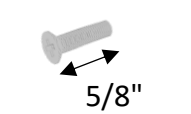
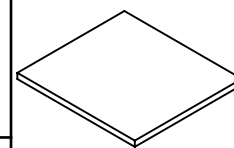
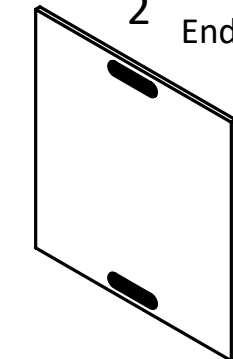
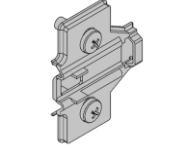

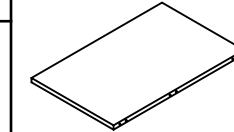
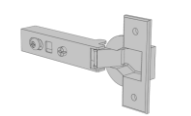
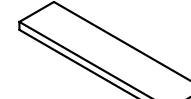
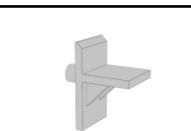
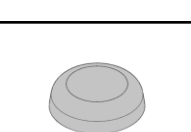
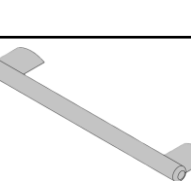
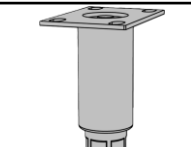
We recommend laying the components on the provided packaging to protect the finish when assembling.

Required Tools

Electric Drill with Phillips and Square bit
Wire Cutters
9/64" Drill bit
Tape Measure
2 x C-Clamp

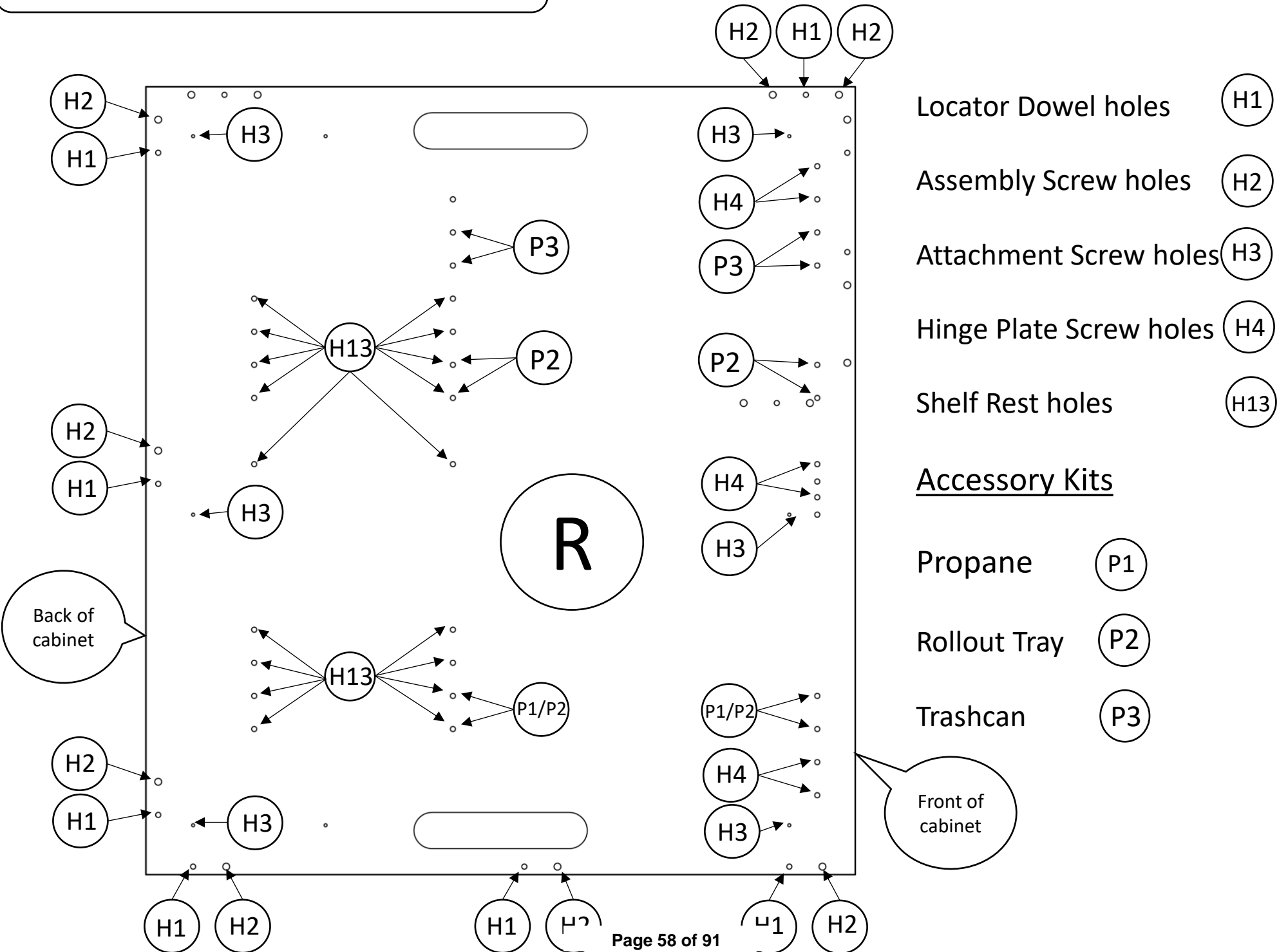
CAUTION : Safety glasses and gloves recommended



Hardware KIT K1				Cabinet Kit Pack E1				Finish Kit Pack D1								
Picture	Qty	Item	Item ID	Picture	Qty	Item	Item ID	Picture	Qty	Item	Item ID					
	14	Locator Dowel	(H1)	 	1	End Panel Left	(L)		1	Door	(I)					
	16	Assembly Screw	(H2)		1	End Panel Right	(R)			1	Matching Back Panel	(J)				
	20	Attachment Screw	(H3)		Cabinet Kit PACK C1					PACK B1 – (Optional)						
	6	Hinge Screw	(H6)			2	Adjustable Shelf	(A)						2	Matching End Panel	(P)
	3	Hinge Plate (with pre-mounted screws)	(H4)		1	Back Panel	(B)							1	Fixed Shelf	(F)
	3	Soft Close Hinge	(H5)		1	Top Rail	(C)									
	8	Shelf Rest	(H13)													
	2	Door Bumper	(H7)													
	1	Door Handle Kit	(H9)													
	2	Cabinet Leg 2PK	(H10)													

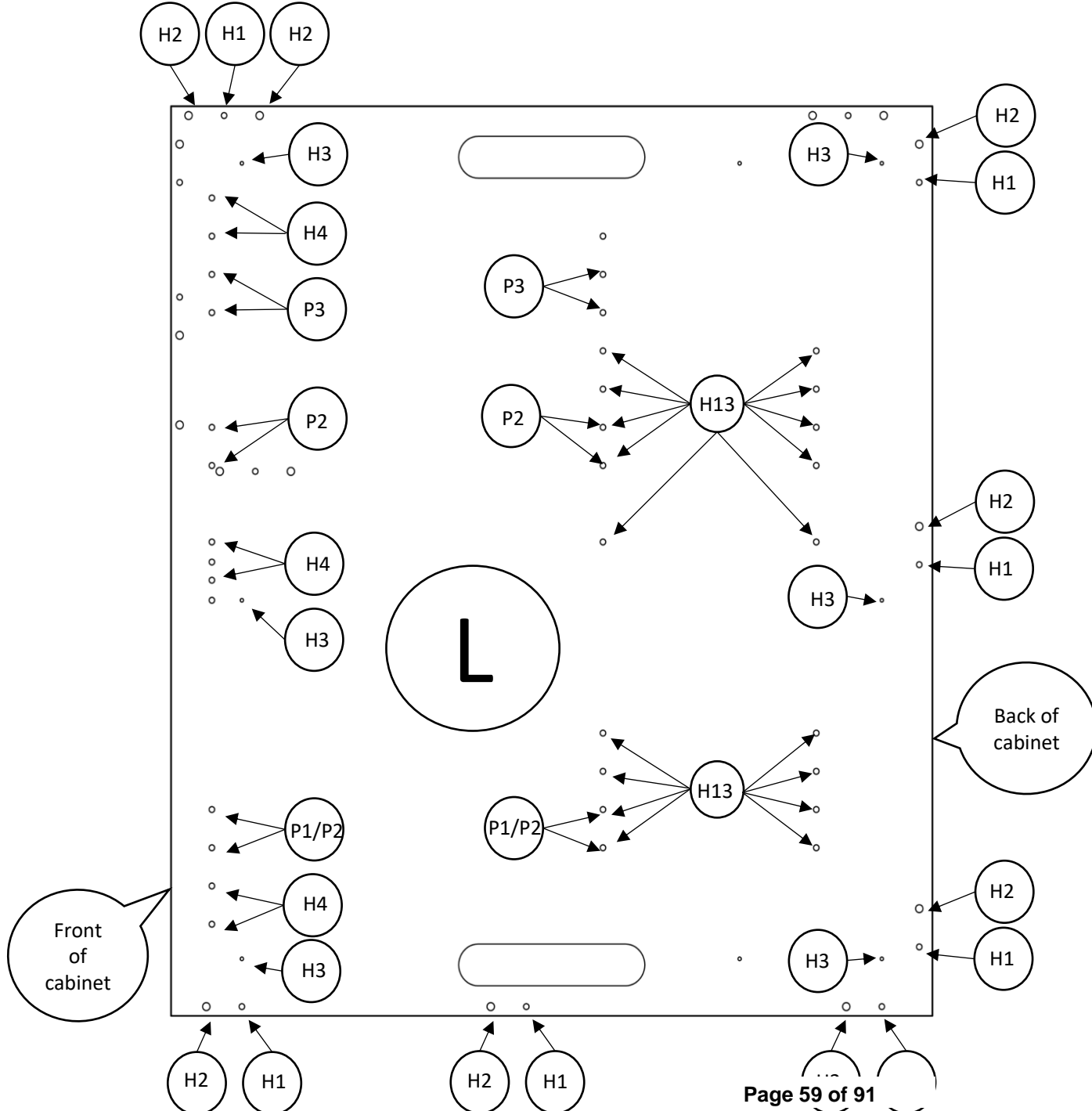
Hole Assignments: Pack E1

Hole Assignments – Right End Panel



Hole Assignments: Pack E1

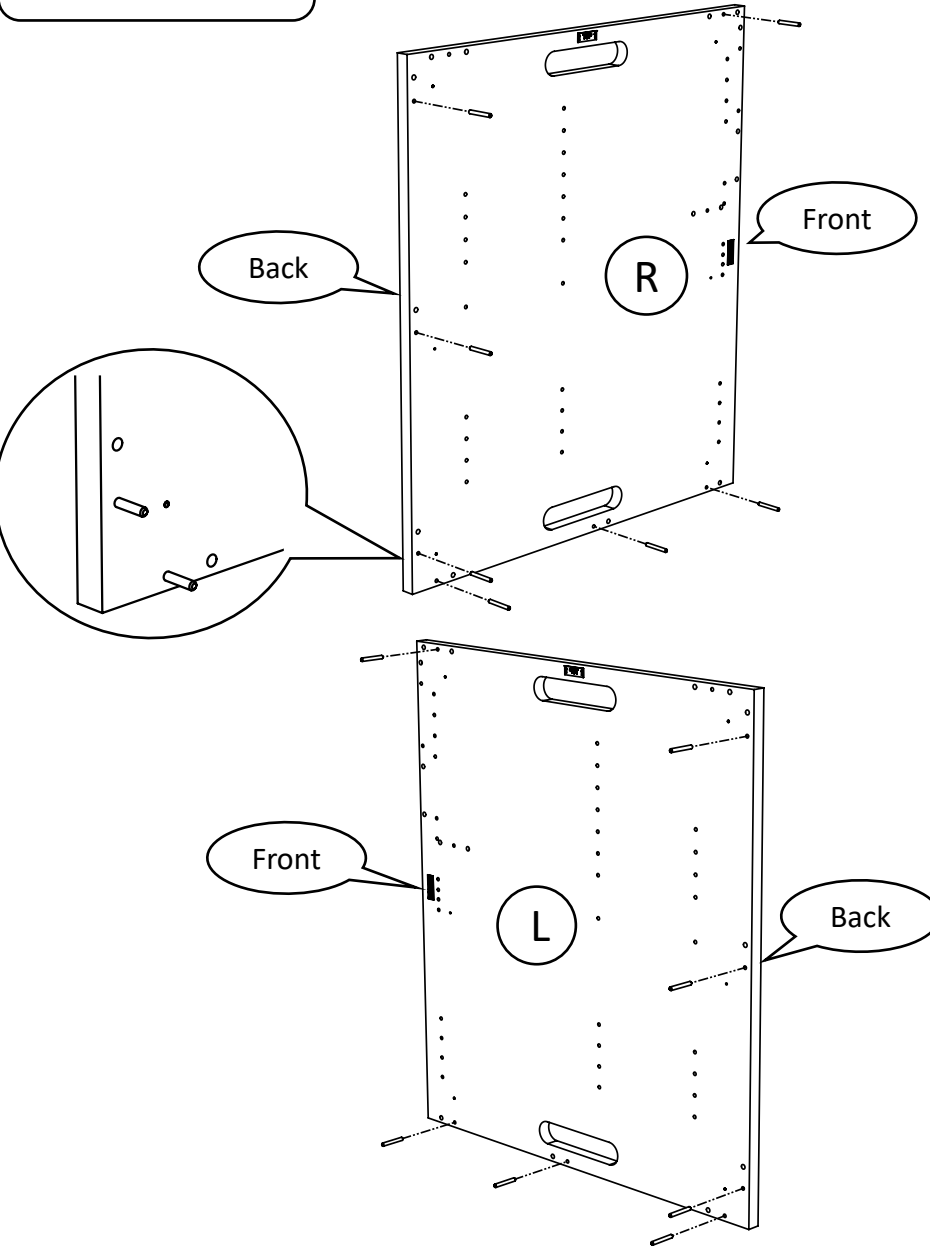
Hole Assignments – Left End Panel



- Locator Dowel holes (H1)
- Assembly Screw holes (H2)
- Attachment Screw holes (H3)
- Hinge Plate Screw holes (H4)
- Shelf Rest holes (H13)
- Accessory Kits
- Propane (P1)
- Rollout Tray (P2)
- Trashcan (P3)

STEP 1

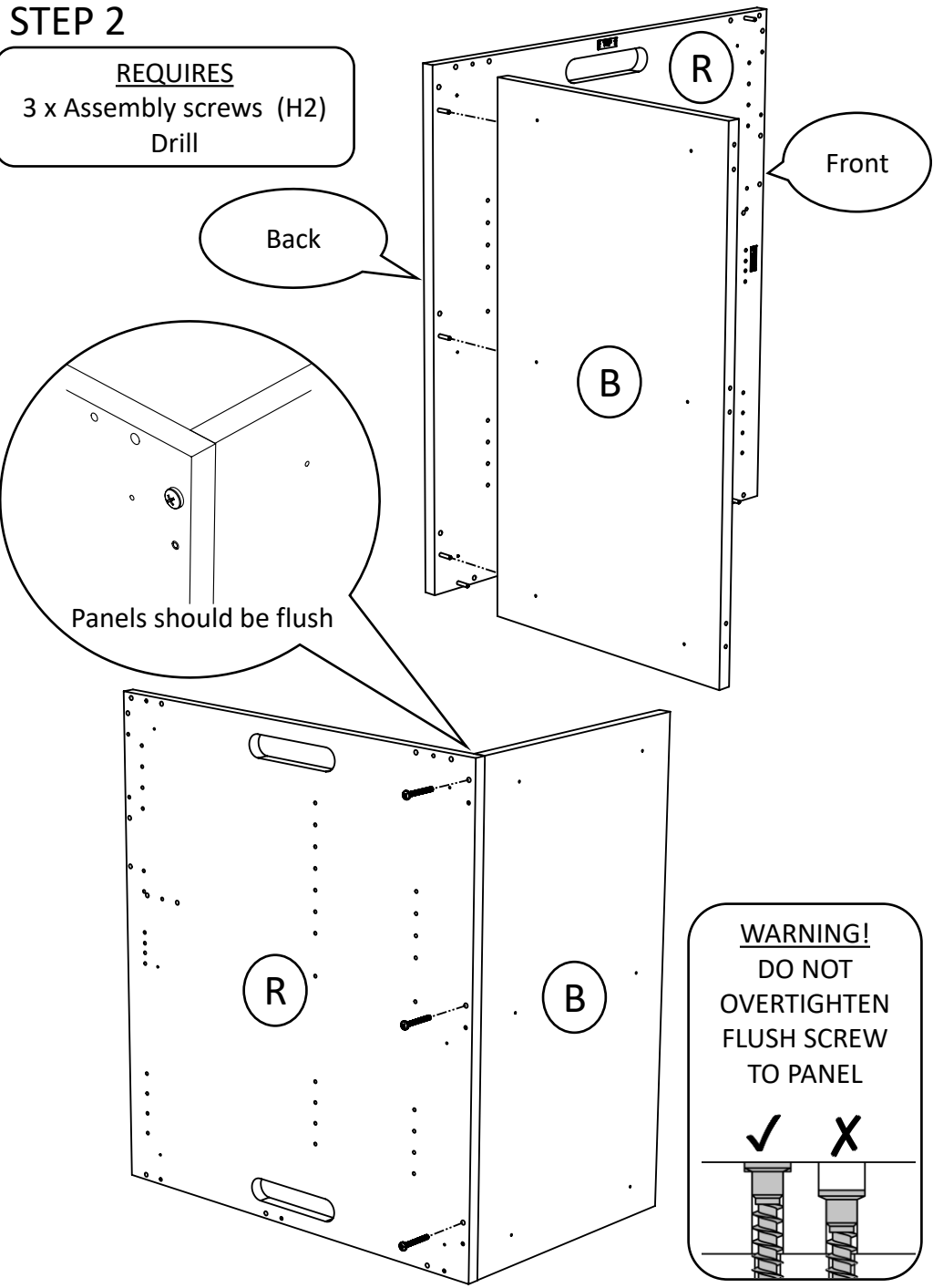
REQUIRES
14 x Dowels (H1)



Lay **Panel (R)** and **(L)** on a flat surface and insert **Locator Dowel (H1)** in the correct locator dowel holes. Reference pages 3 and 4.

STEP 2

REQUIRES
3 x Assembly screws (H2)
Drill

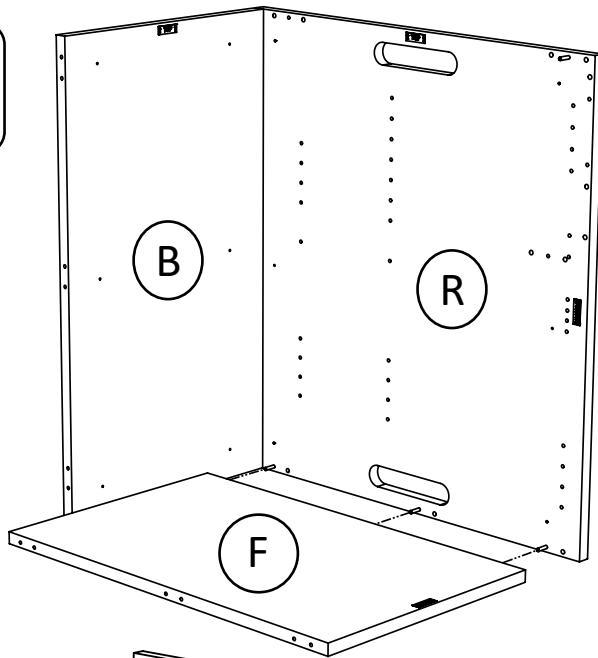


Insert the 3 **Locator Dowels** along the back edge of **Panel (R)** into the locator dowel holes on the side of **Panel (B)**. Using the drill and 3 **Assembly screws (H2)** screw **Panel (R)** to **Panel (B)**. If **Panel (B)** is not flush or inset with the edge of **Panel (R)** rotate **Panel (B)** 180 degrees.

STEP 3

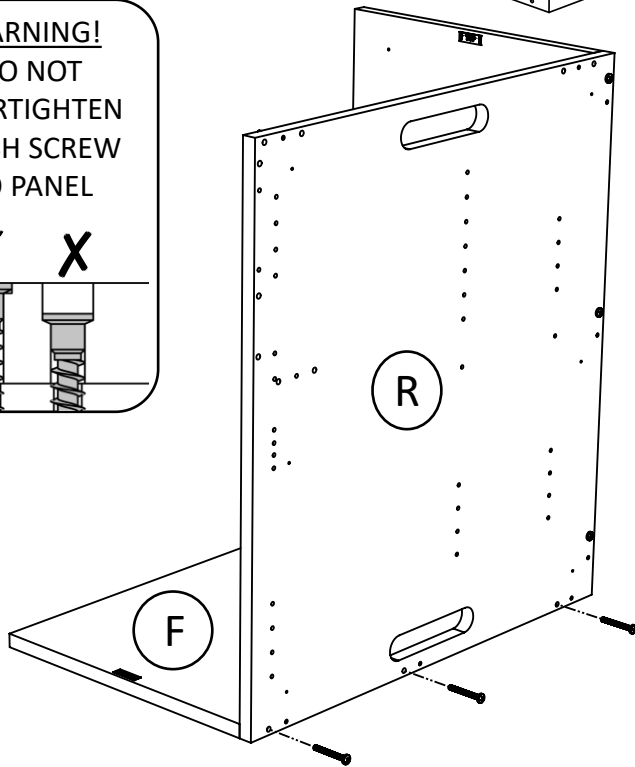
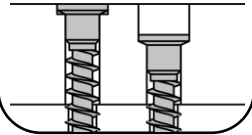
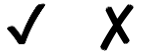
REQUIRES

3 x Assembly screw (H2)
Drill



WARNING!

DO NOT
OVERTIGHTEN
FLUSH SCREW
TO PANEL

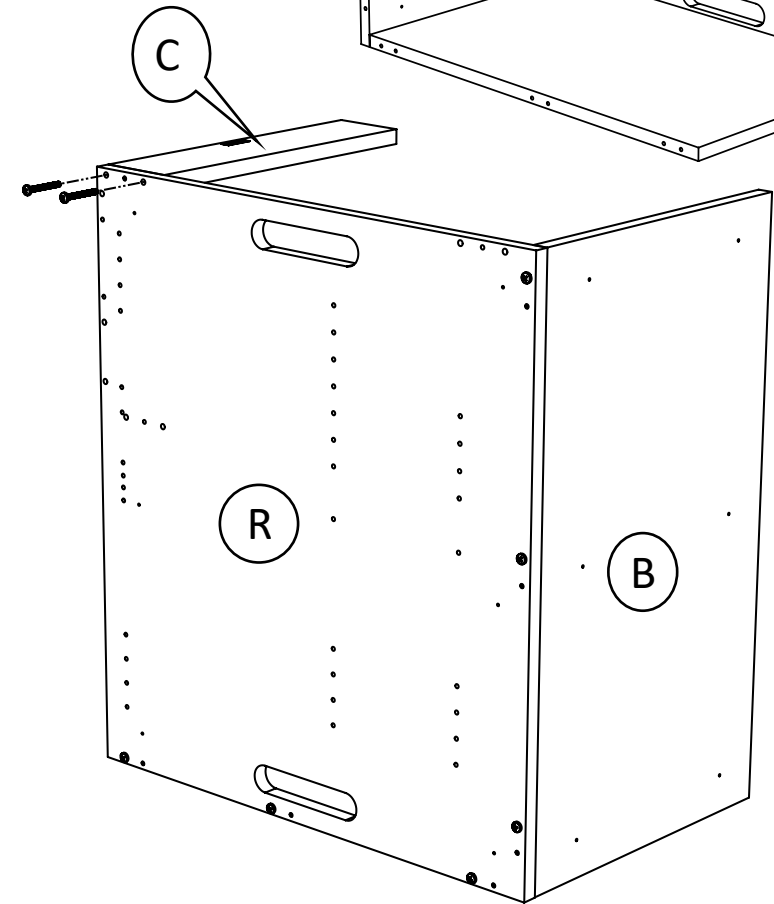
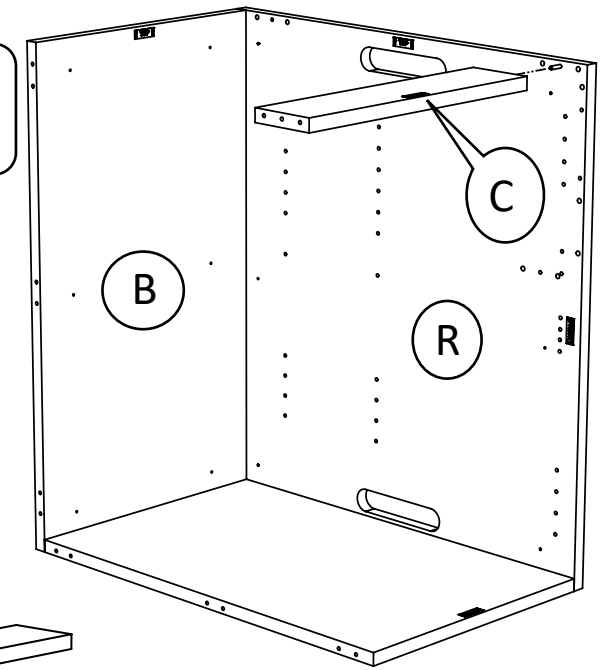


Insert the 3 **Locator Dowels** on the bottom of **Panel (R)** into the locator dowel holes on the side of **Panel (F)**. Using the drill and 3 **Assembly screws (H2)** screw **Panel (R)** to **Panel (F)**.

STEP 4

REQUIRES

2 x Assembly screws (H2)
Drill



Insert the **Locator Dowel (H1)** on the top right of **Panel (R)** into the dowel hole on **Panel (C)**. Using the drill and 2 **Assembly screws (H2)** screw **Panel (R)** to **Panel (C)**.

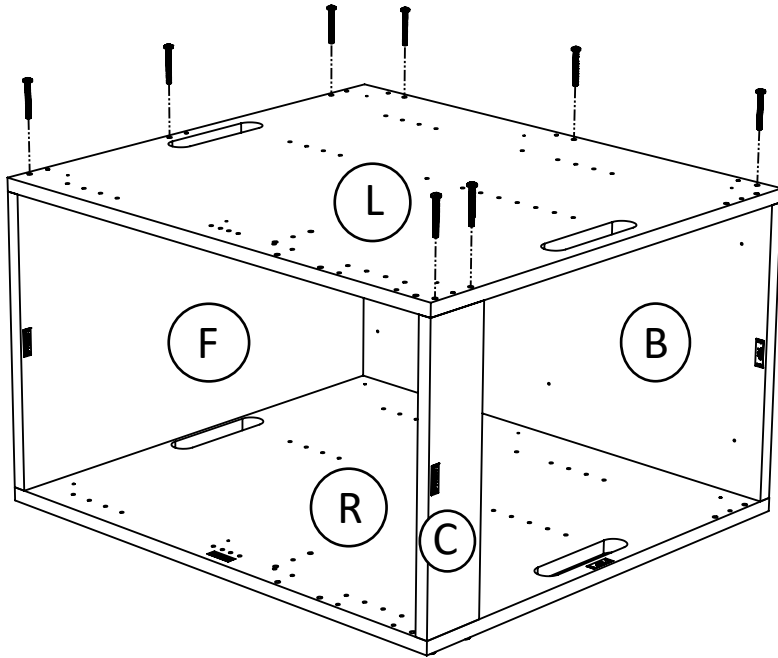
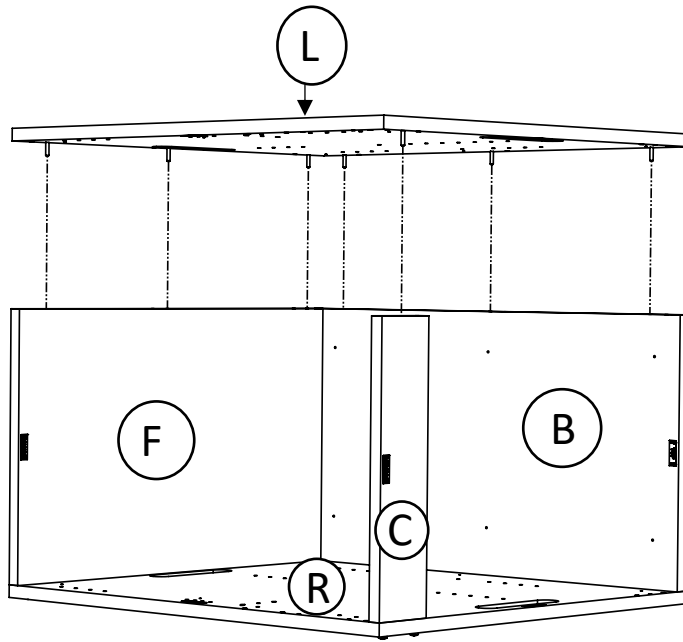
STEP 5

REQUIRES

8 x Assembly screws (H2)
Drill

WARNING!

DO NOT OVERTIGHTEN FLUSH SCREW TO PANEL



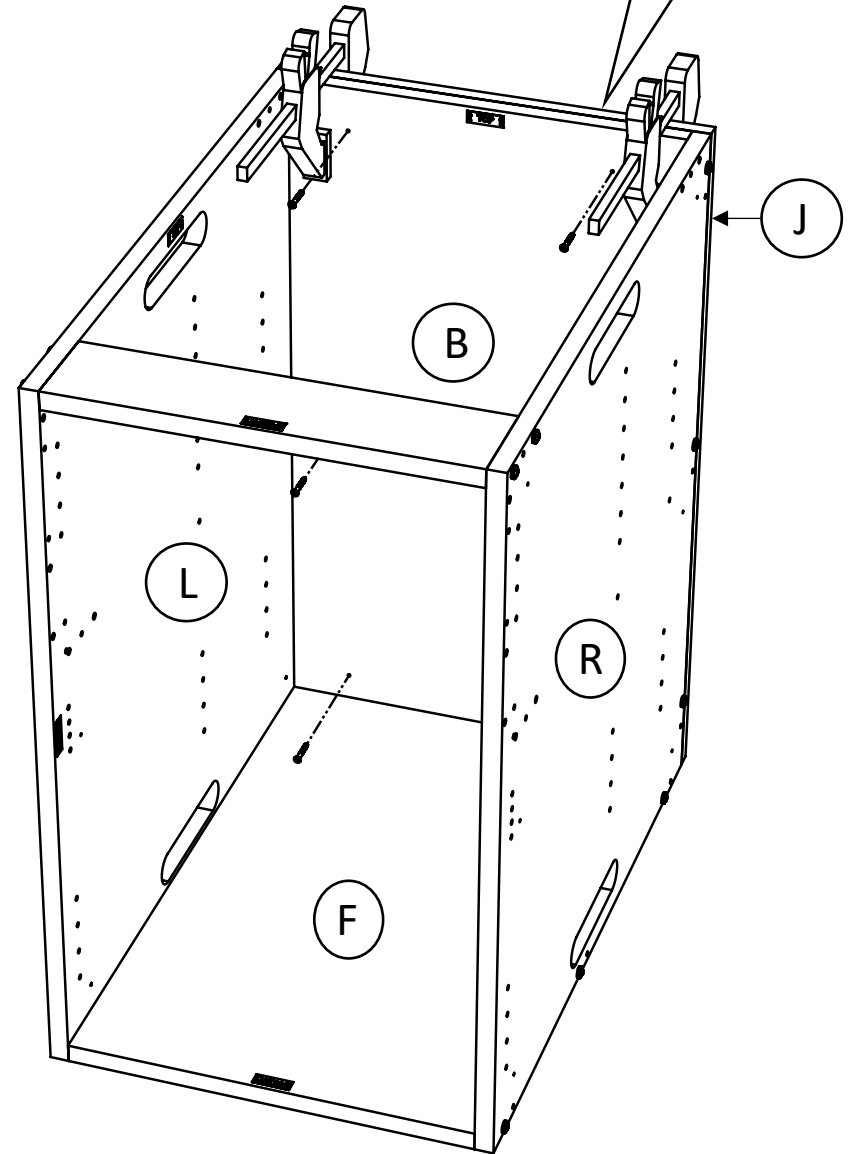
Insert the Locator Dowels on **Panel (L)** into the locator dowel holes on the sides of **Panels (F), (C), and (B)**. Using the drill and 8 **Assembly Screws (H2)** screw **Panel (L)** to **Panels (F), (C), and (B)**.

STEP 6

REQUIRES

6 x Attachment Screws (H3)
Drill

Back Panel J
Flush with sides

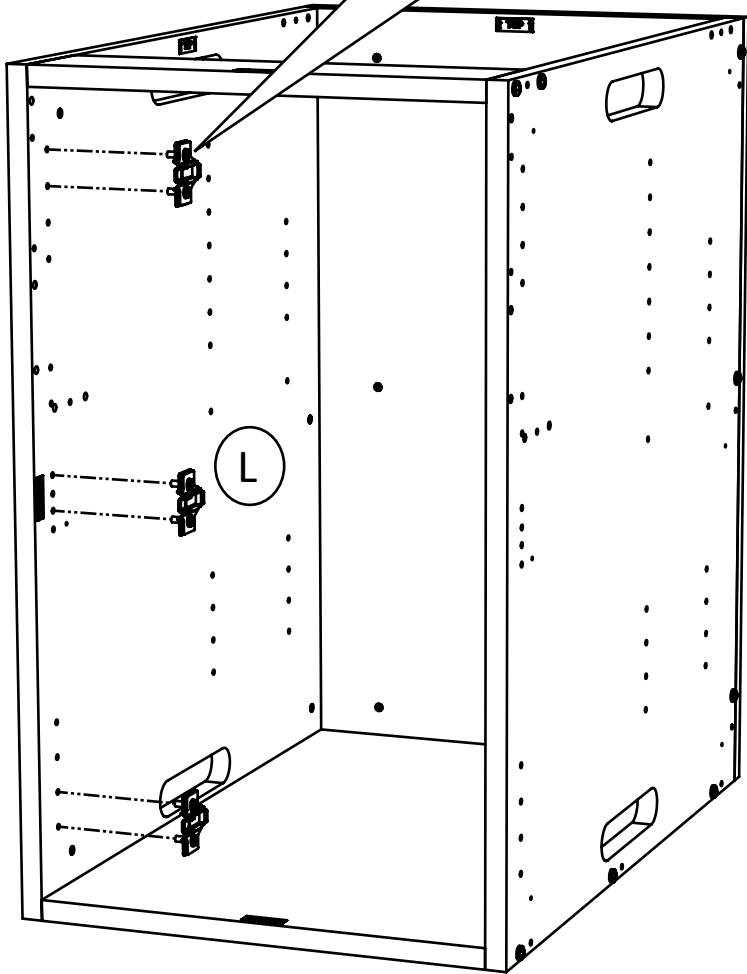
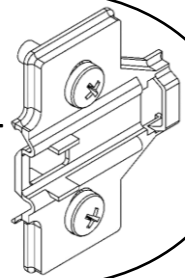


Align **Panel (J)** with the back of the cabinet, ensure sides of **Panel (J)** are flush with sides of the cabinet. Using the Drill and 6 **Attachment Screws (H3)** attach **Panel (B)** to **Panel (J)**.

STEP 7

REQUIRES
3 x Hinge Plate (H4)
Drill

FRONT



Using the drill screw 3 **Hinge plates** (H4) into the correct hinge plate holes. Hinge plates can be attached to either side depending on which way you want the door to open. Reference hole assignment on page 3 or 4.

STEP 8

REQUIRES
2 x Cabinet Leg packs (H10)
Drill

Pro Tip: Make sure the adjustable end of each leg is loose before standing the cabinet upright. This will make leveling the cabinets easier.

Front

2"

Flush
on
side

X4

F

Flush
on
side

Flush
on
side

5/8"

Back

Cabinet Leg Pack (H10) consists of 2 cabinet legs, 2 cabinet leg plates and 8 screws. Screw front cabinet leg plates onto the cabinet 2 inches from the front, and flush to the sides. Screw back cabinet leg plates onto the cabinet 5/8 of an inch from the back and flush to the sides. Now, screw on the 4 adjustable legs.

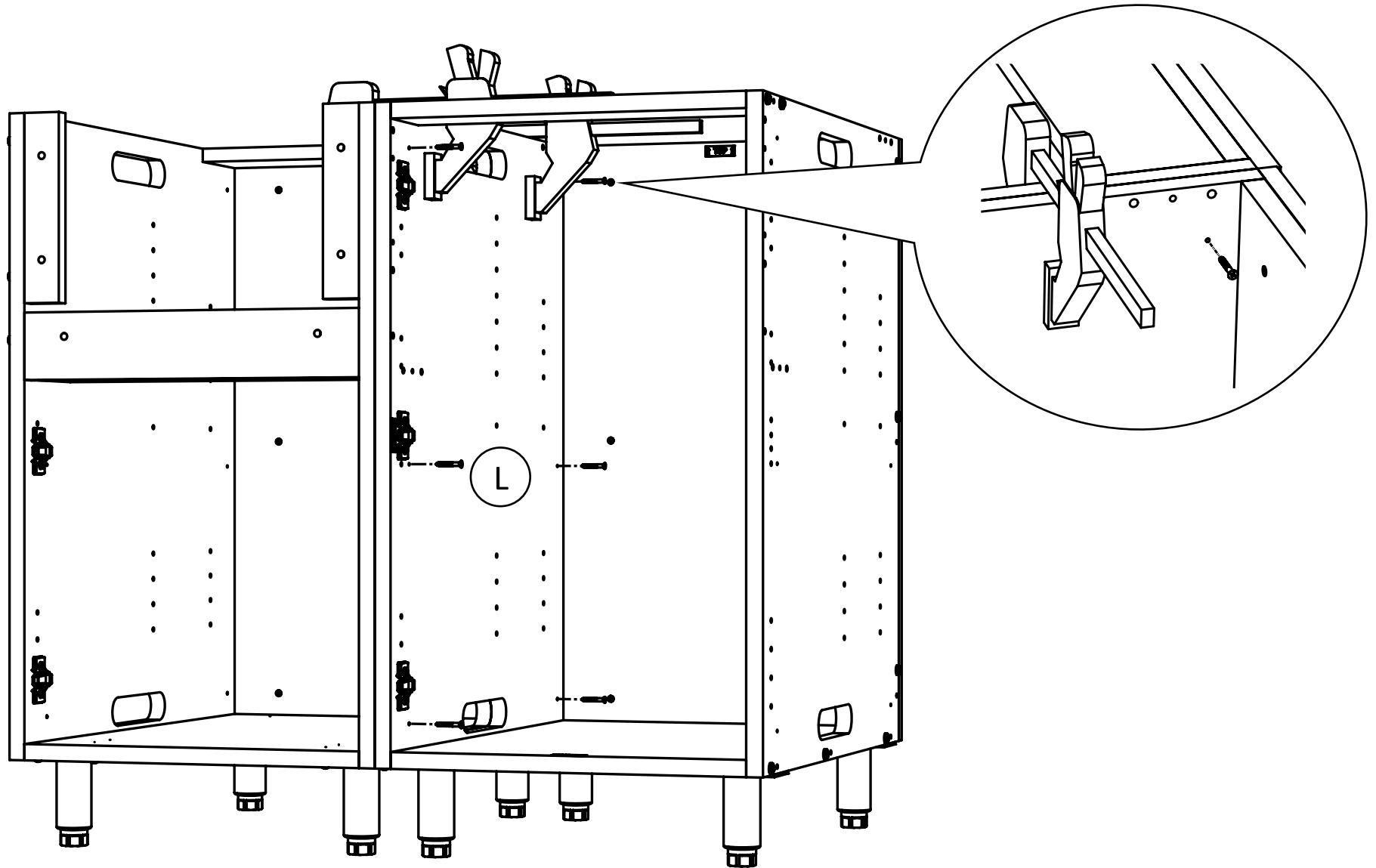
STEP 9 (Depends on location of cabinet)

REQUIRES

6 x Attachment Screws (H3)

Drill

Option A: Joining Cabinets Together



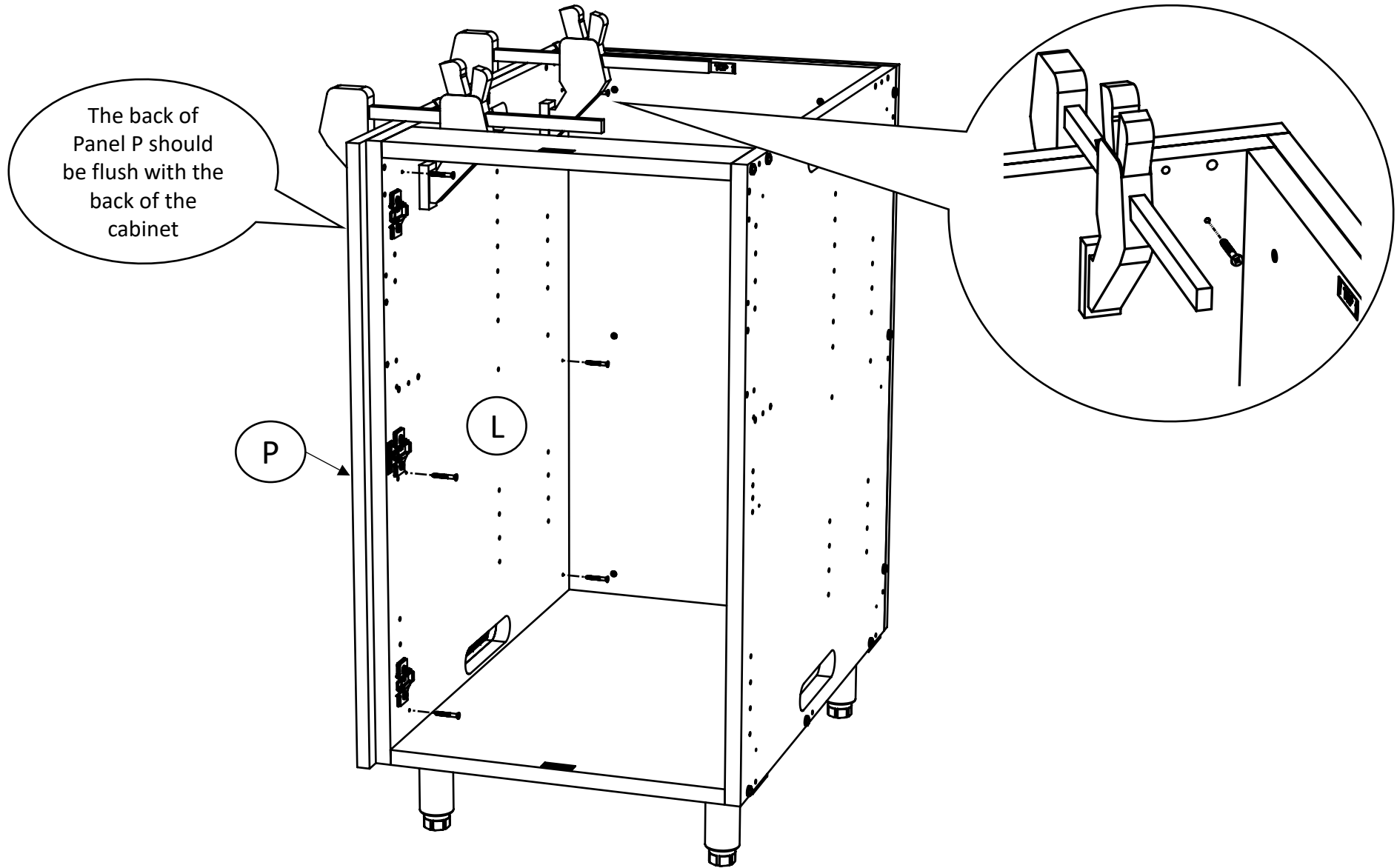
Option A: Screwing Cabinets Together – align the **Attachment Screw** holes in each cabinet and using the Drill and 6 **Attachment Screws** (H3) screw the cabinets together. C-clamps are recommended to secure the **Panels** together while attaching.

STEP 9 (Depends on location of cabinet)

REQUIRES

6 x Attachment Screws (H3)
Drill

Option B: Applying A Finished End

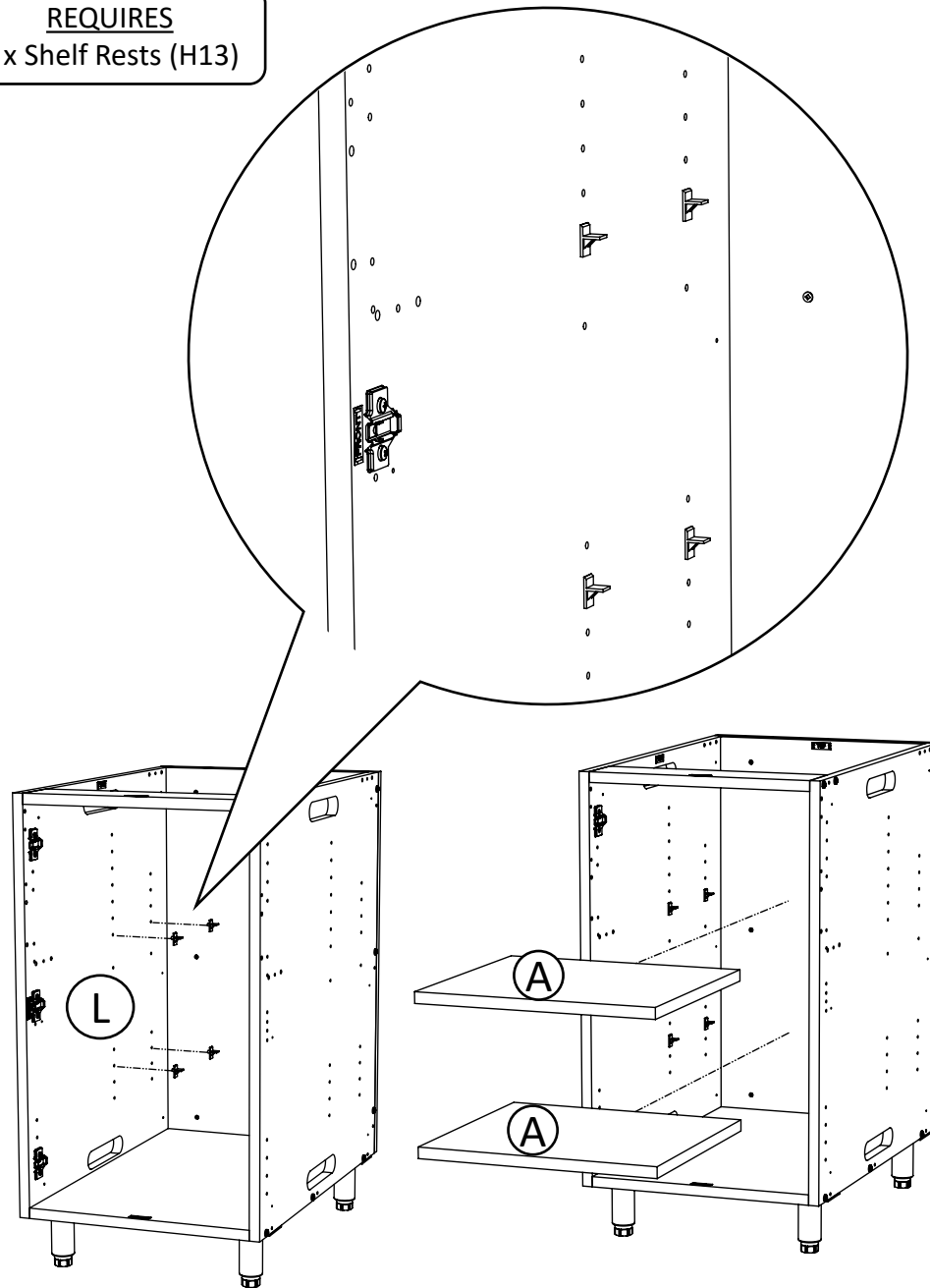


Option B: Applying Finished End – align **Panel (P)** to **Panel (L)** or **Panel (R)**, ensure **Panel (P)** is flush to the back of **Panel (J)**. Using the **Drill** and 6 **Attachment Screws (H3)** screw **Panel (L)** or **(R)** to **Panel (P)**. You may wish to use a C-clamp to secure panels in place while attaching. The back edge of **Finished End (P)** should be flush with **Panel (J)**. The front edge will protrude in front of the cabinet until the doors are installed.

STEP 10

REQUIRES

8 x Shelf Rests (H13)



Insert 4 **Shelf Rests** (H13) into **Panel (L)** and 4 **Shelf Rests** (H13) into **Panel (R)** at desired heights. Then set **Panels (A)** onto the **Shelf Rests**.

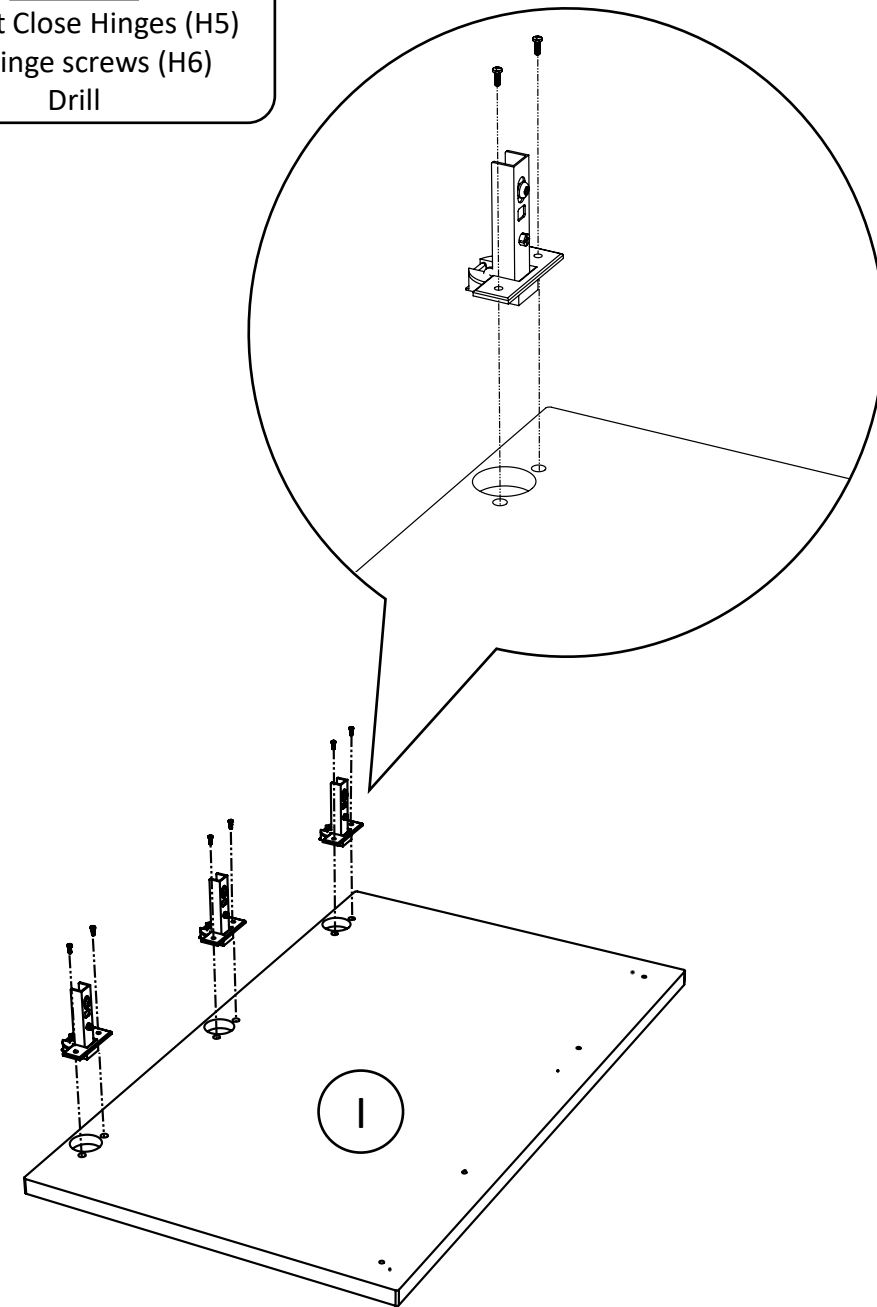
STEP 11

REQUIRES

3 x Soft Close Hinges (H5)

6 x Hinge screws (H6)

Drill



Lay **Door (I)** face down on a flat surface with hinge holes facing up. Insert 3 **Soft Close Hinges** (H5) into **Door (I)** making sure screw holes align. Using the **Drill** and 6 **Hinge Screws** (H6) attach the hinges.

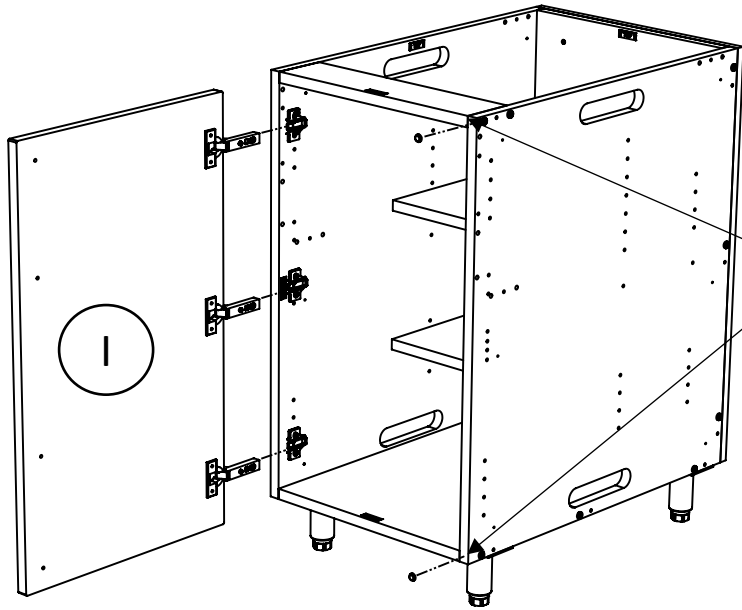
STEP 12

REQUIRES

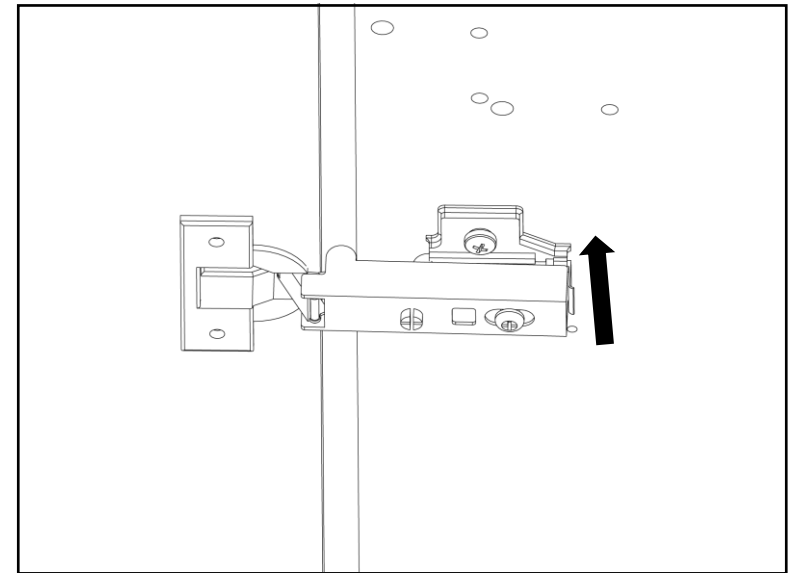
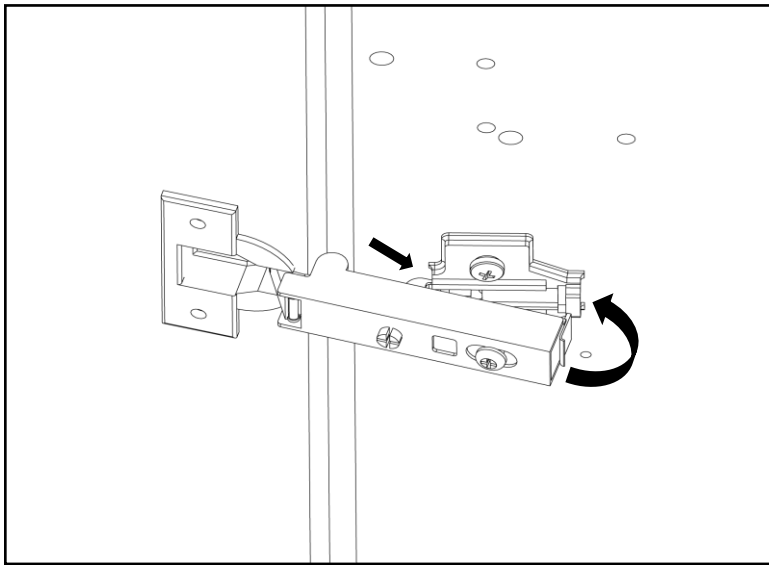
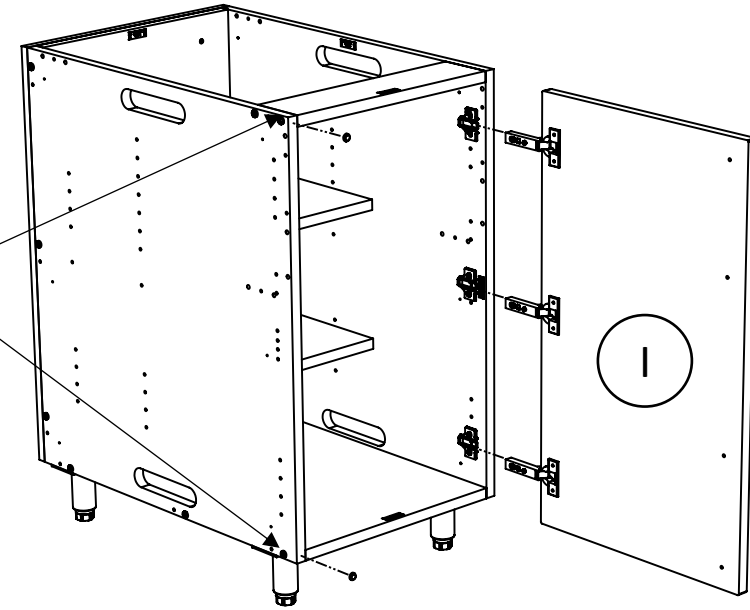
2 x Door Bumpers (H7)

Left Door

Right Door



Depending on which side you hang the door, place bumpers accordingly.



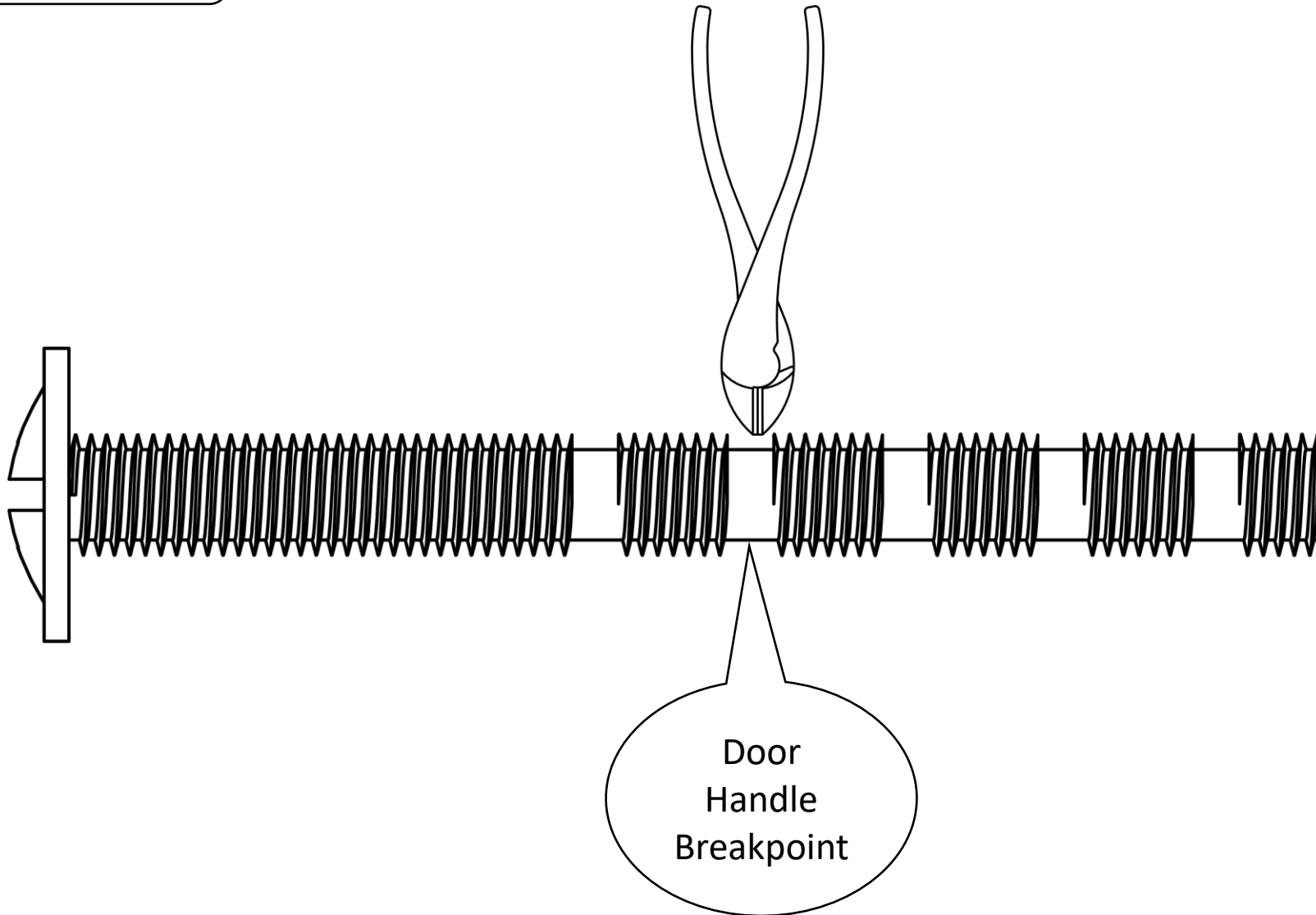
To attach the Door (I) – Locate the small ‘hooks’ on the underside of the **Soft Close Hinge** and hook them under the front of the **Hinge Plate**, then press the back of the **Hinge** towards the Plate until it ‘clicks’ into place. Repeat for the remaining **Hinges**.

STEP 13

REQUIRES

1 x Door Handle Kit (H9)

Wire Cutters

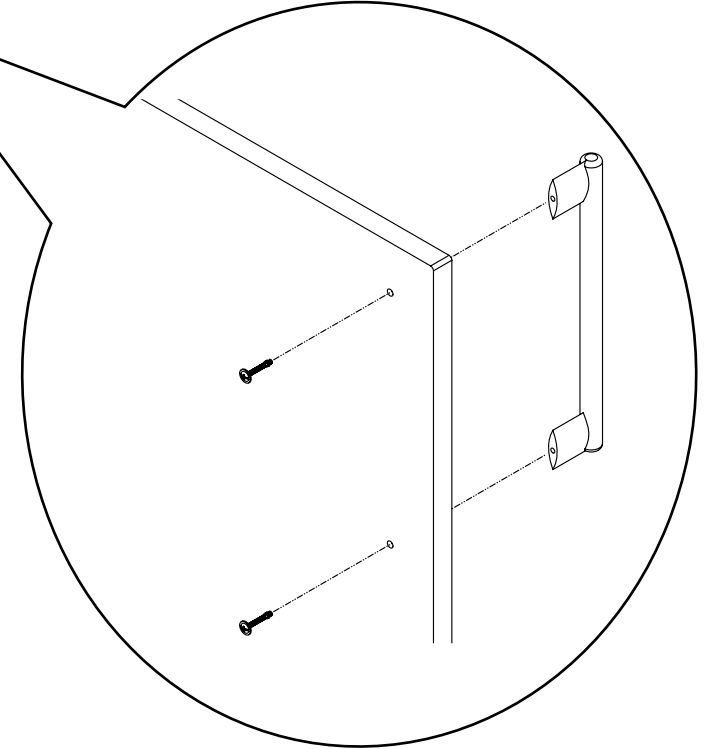
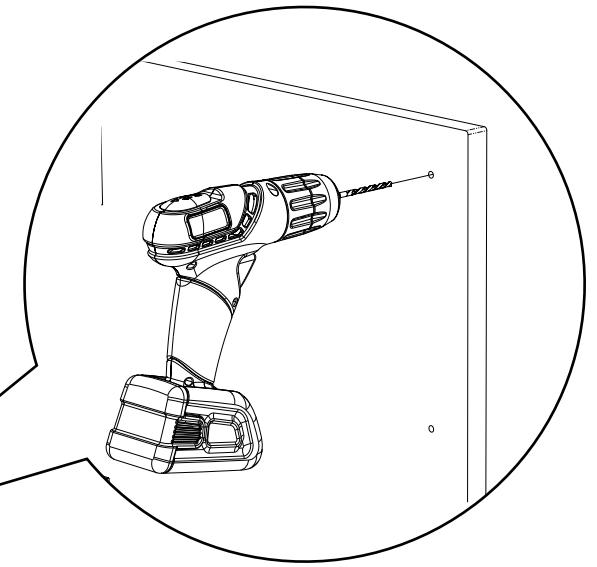
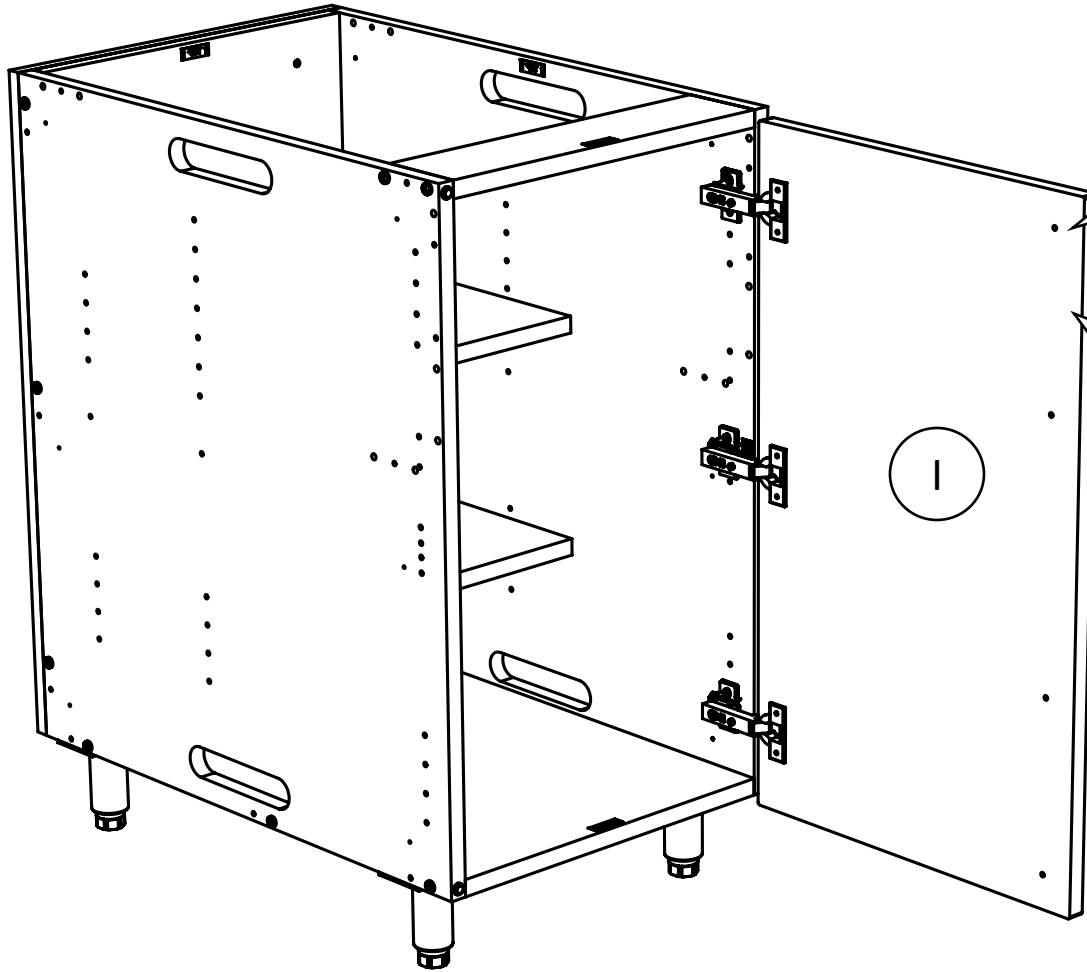


Use **Wire Cutters** or **Pliers** to cut the **Handle Screws** at the **Door Handle** breakpoint

STEP 14

REQUIRES

Door Handle Kit (H9)
Drill



Once door is installed on the correct side of the cabinet, drill through the two upper handle pilot holes with a 9/64" diameter drill bit. Then, attach **Door Handle (H9)** with two handle screws

Assembly Instructions - TPOK18-FG

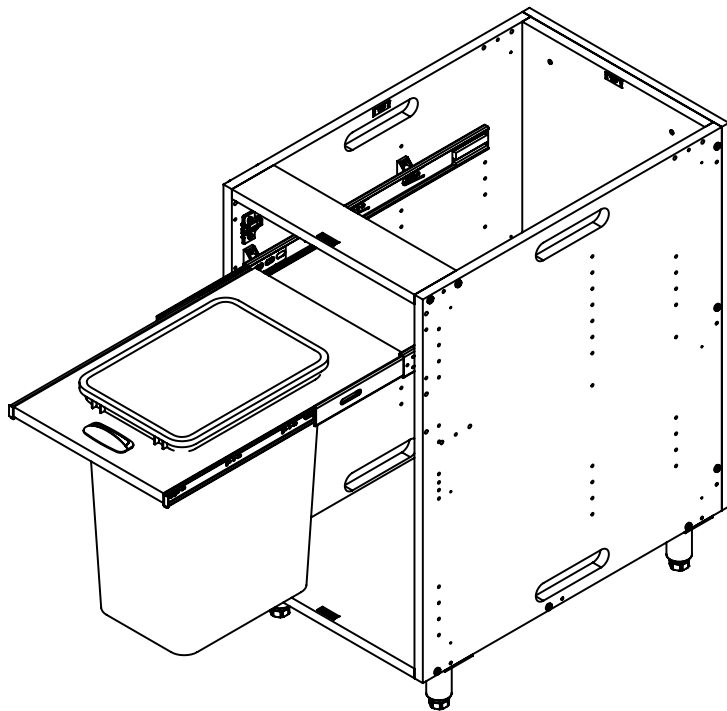
Trash Pullout Kit for 18" Base

Trash
Pullout

Requires:	Description:
1 – C1	18" wide Base Cabinet Panel Kit
1 – P3	Trash Pullout Kit for 18" Base




For assistance visit
Weatherstrong.com
888-845-0004



Before you start assembly, inspect all panels and hardware to ensure nothing is damaged and that you have everything required.

We recommend laying the components on provided packaging to protect the finish when assembling.

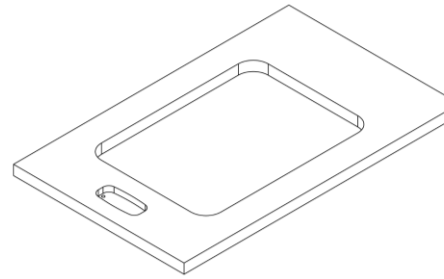
Required Tools
Electric Drill with Phillips



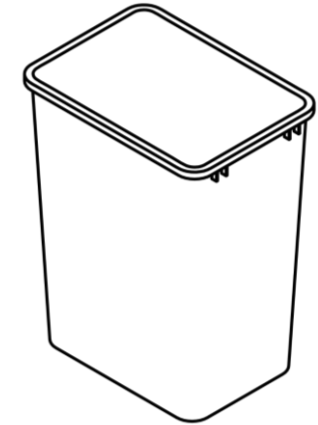
Hardware Kit

Picture	Qty	Item	Item ID
	6	Drawer Installation Screw	H11
	1	Handle	H12
	2	Shelf Runner	H13
	12	Euro Screw	H14
	4	Spacer	H15

Trash Can Shelf



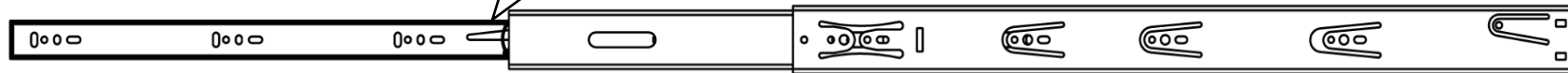
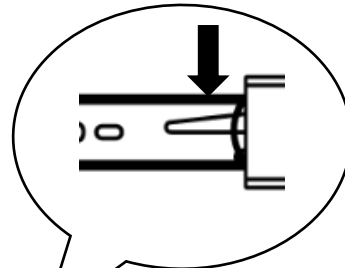
Trash Can



STEP 1

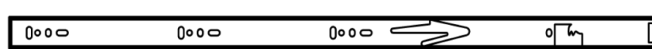
REQUIRES

2 x Shelf Runner (H13)



A

B

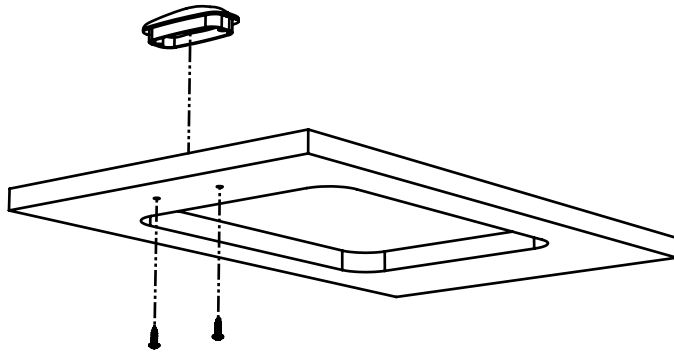


Remove **Shelf Runners** from packaging and extend the runners. While pressing down on the white tab pull **Smaller Runner Member (A)** apart from **Larger Runner Member (B)**.

STEP 2

REQUIRES

2 x Installation Screws (H11)
Handle (H12)
Drill

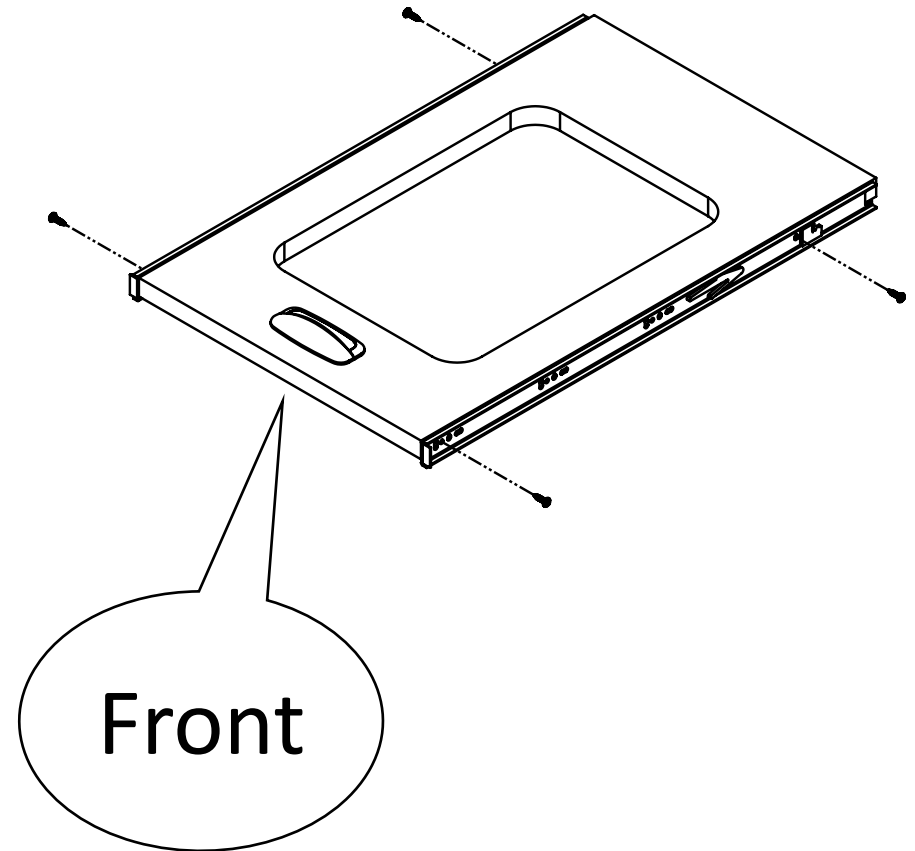


Insert **Handle** (H12) into slot in **Shelf** and secure with two **Installation Screws** (H11)

STEP 3

REQUIRES

4 x Installation Screws (H11)
2 x Runner Members (A)
Drill



Front

Attach **Smaller Runner Members** (A) to sides of **Shelf**. The tabs on the end of the runner should be flush with the front of the **Shelf**.

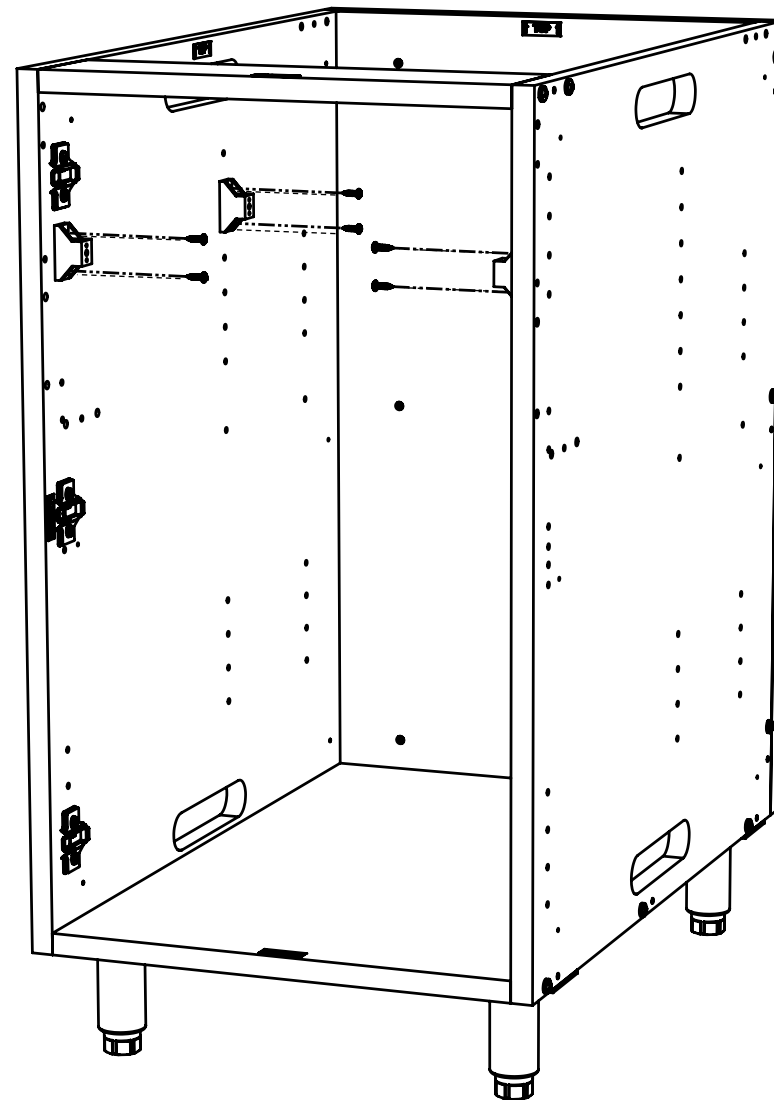
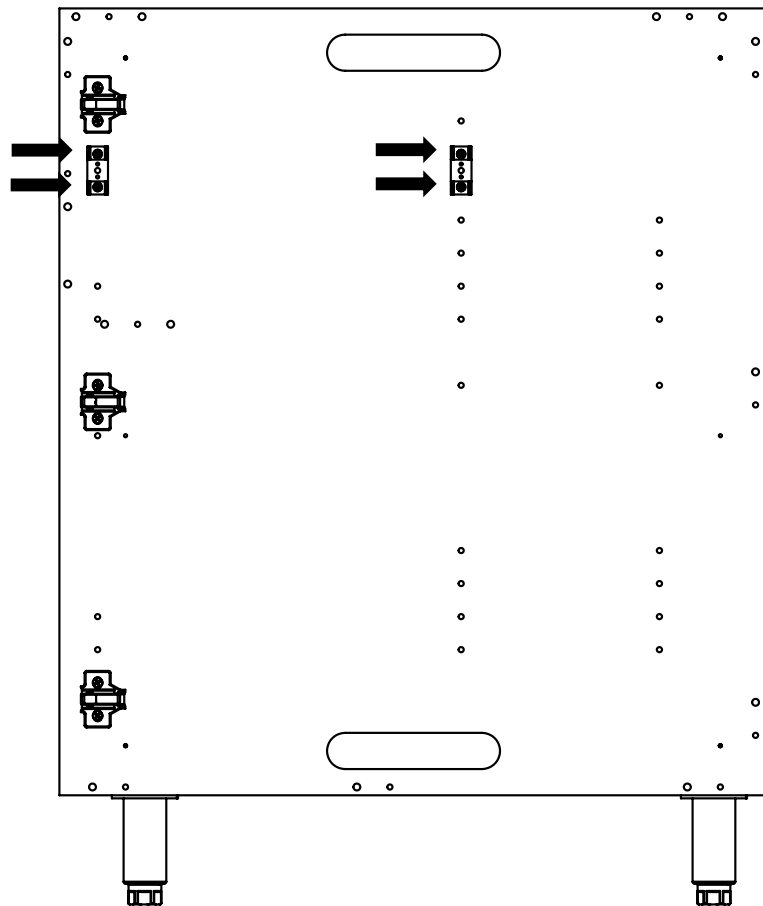
STEP 4

REQUIRES

8 x Euro Screws (H14)

4 x Spacer (H15)

Drill

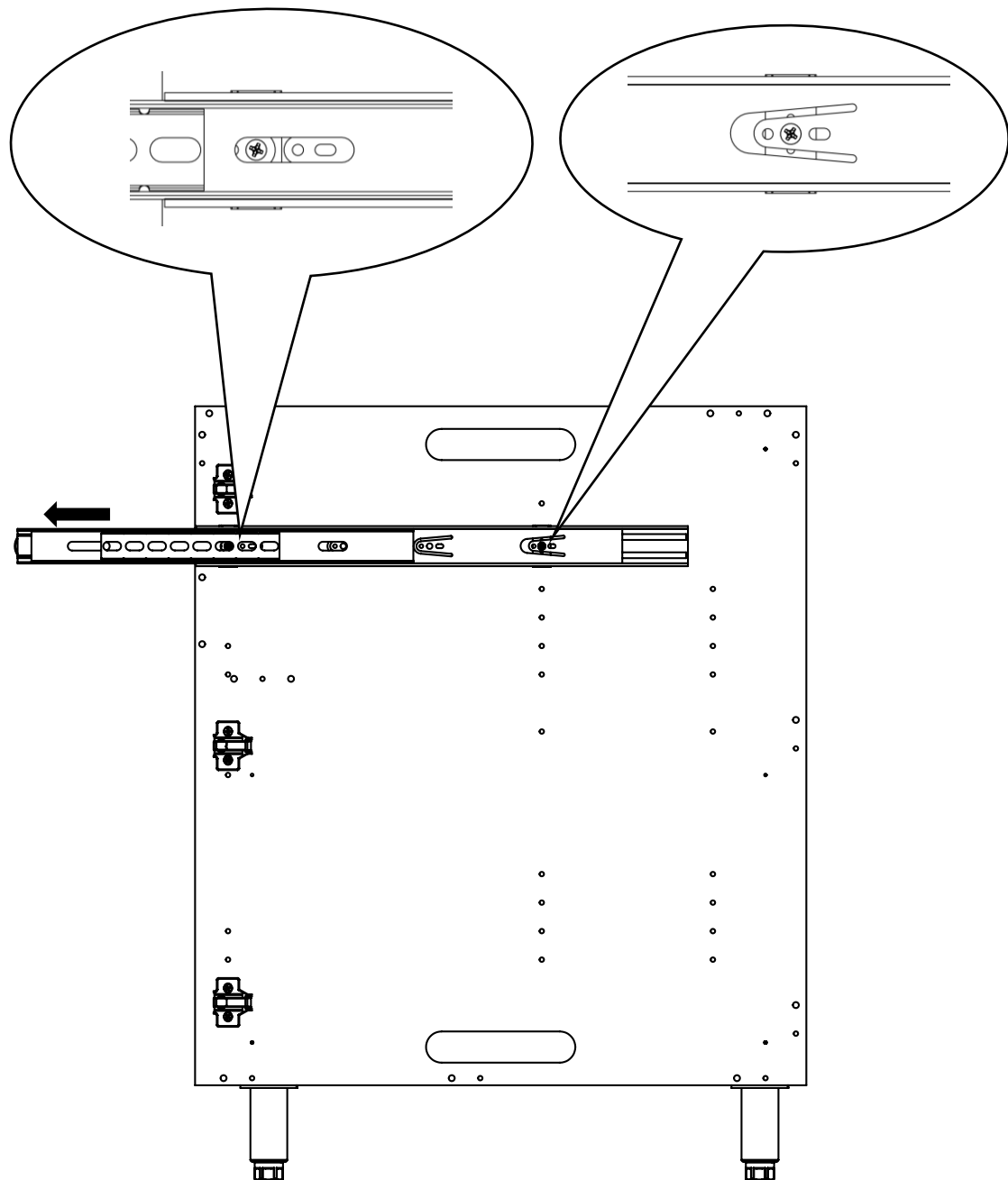
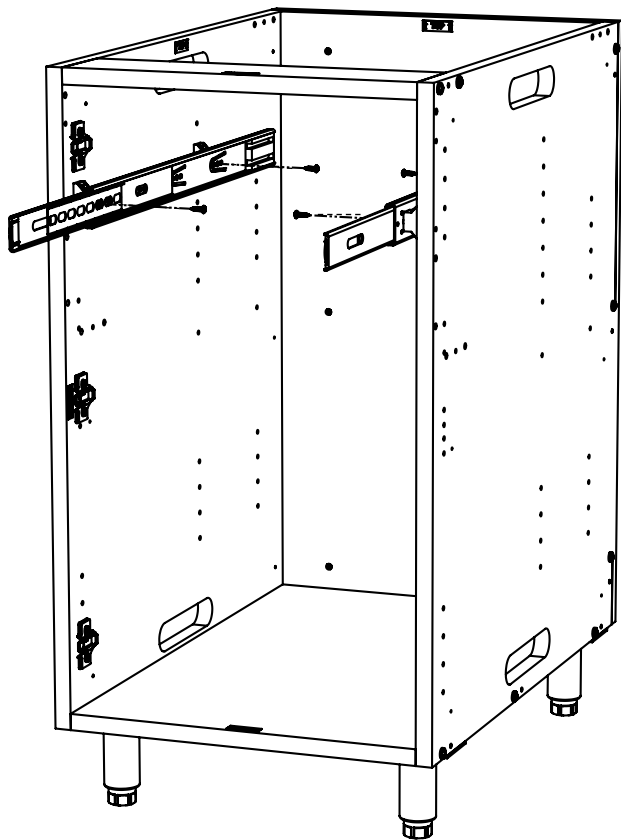


Install two **Spacers** (H15) on each End Panel just below the upper hinge plate, as shown, using two **Euro Screws** (H14) per **Spacer**. For ease of access, we recommend removing the cabinet door before installing the

STEP 5

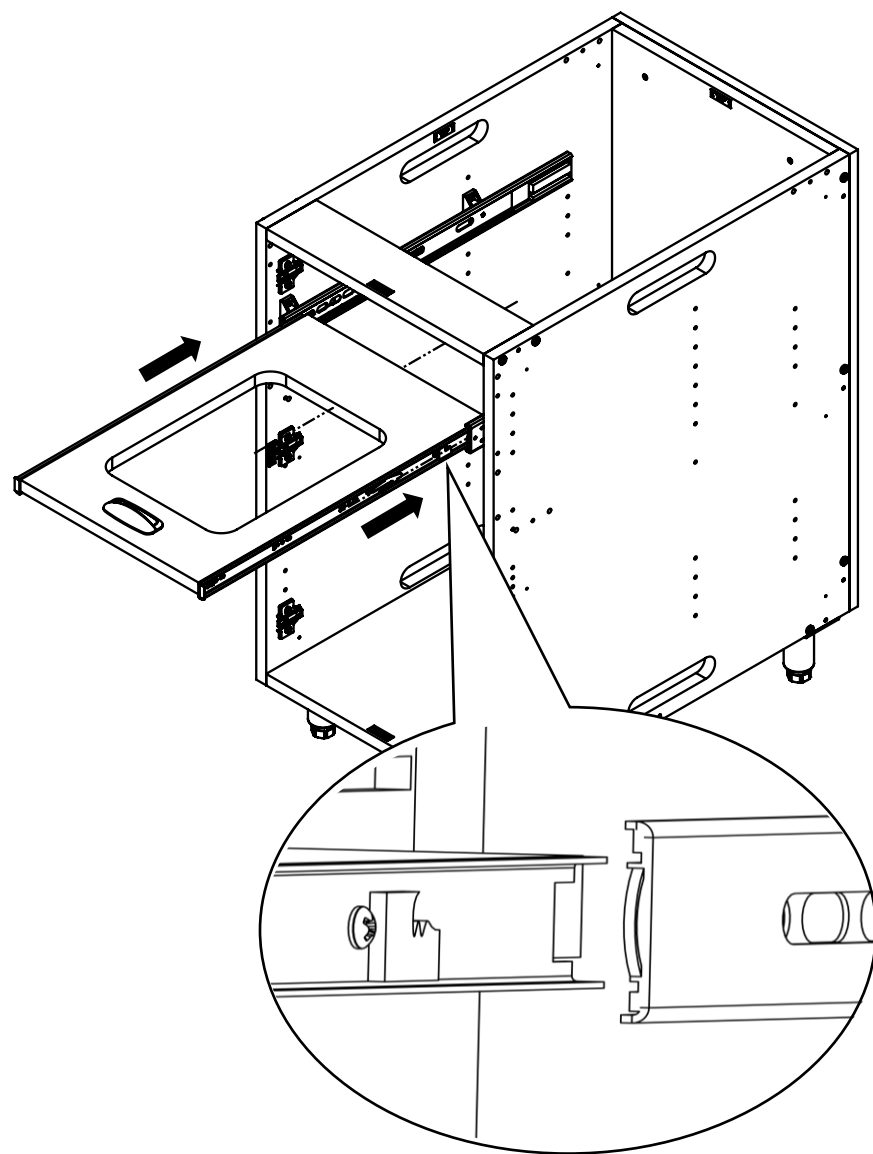
REQUIRES

- 4 x Euro Screws (H14)
- 2 x Runner Members (B)
- Drill



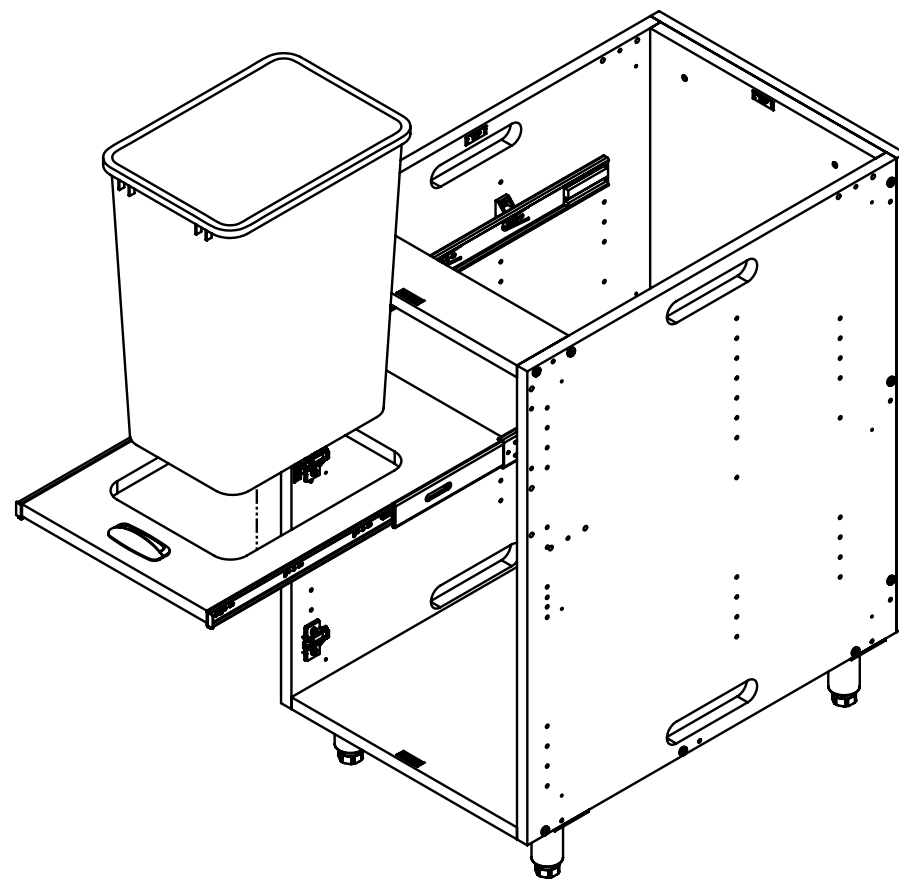
Attach the **Larger Runner Members (B)** to the **Spacers (H15)** using two **Euro Screws (H14)** per runner. To access the attachment holes, you will need to extend the runner mechanism, as shown.

STEP 6



Carefully slide the **Shelf** into the **Larger Runner Members** (B) by inserting the **Smaller Runner Members** (A) into the plastic guides at the front of the larger members. You should hear a 'click' when fully inserted.

STEP 7



Place the **Trash Can** into the hole in the shelf and slide into the cabinet.

Steps for a Successful Installation

1. Prepare the Site

- 1.1 Your outdoor kitchen should always be installed on a stable surface (patio/deck/balcony/rooftop) which should be as near to level as drainage requirements allow.
- 1.2 All cabinets come standard with adjustable stainless steel legs. However, in instances of extreme slope, or very large kitchens, footings may be needed to compensate if it falls out of the adjustable range of the legs.
- 1.3 Your kitchen has been designed to be freestanding and does not need to be affixed to the ground/wall. For extreme environments, such as high wind areas, we suggest that your kitchen be secured to an appropriate support structure. Please consult with your contractor/engineer for specifics.
- 1.4 Verify with your contractor/engineer to ensure that the surface is designed to support the weight of the kitchen.

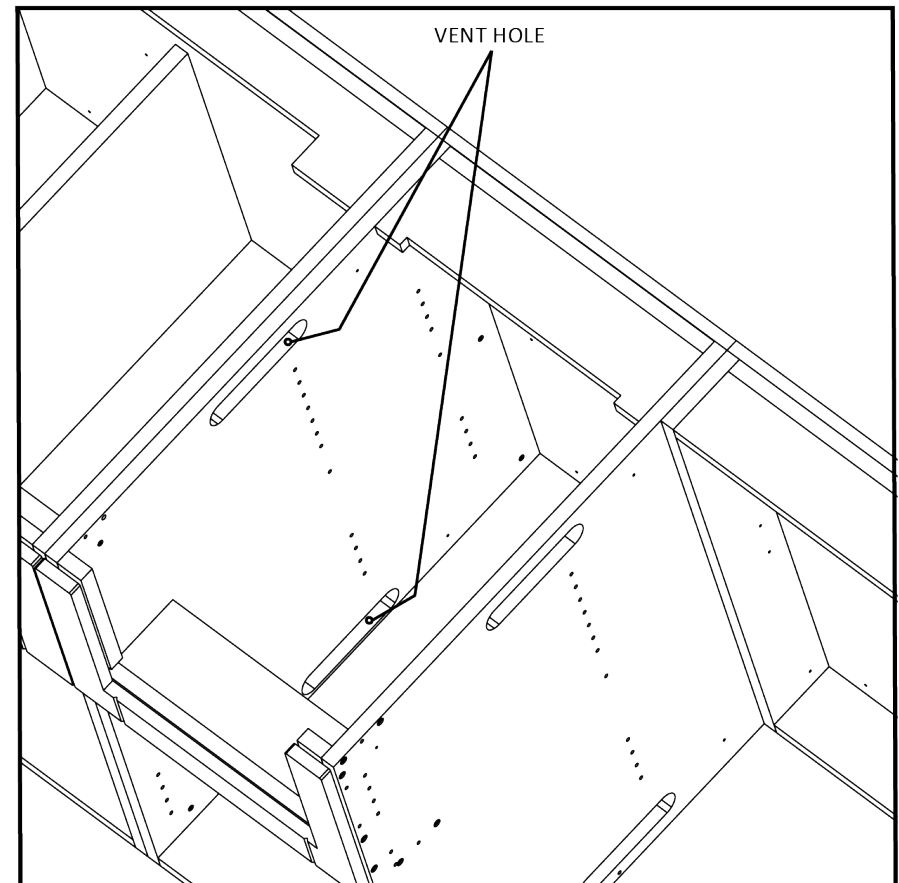
2. Planning for Appliances

- 2.1 Your island cabinetry is made from weatherproof combustible materials and therefore, each gas appliance requires an insulated heat jacket. Check your specific island configuration for the necessary parts.
- 2.2 Please review the owner's manuals provided with your appliances before installation and ensure the hook-up is done by a licensed professional in accordance with local codes.

Important! All gas hookups, including conversions from propane to natural gas, must be performed by a licensed plumber. Attempting this work without a qualified professional can result in serious injury or death. Always verify and comply with local building and venting code requirements before installation.

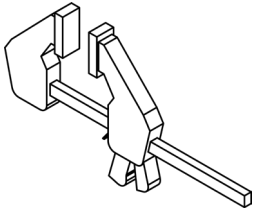
3. Planning for Services (Gas/Electrical/Plumbing)

- 3.1 Vent holes are included in most cabinets to make service planning and implementation as easy as possible.
- 3.2 Local codes have specific requirements and restrictions for all services. Please ensure that planning and installation is performed by a locally licensed tradesperson.

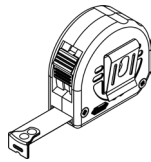


— Island Installation —

Tools Required



C-Clamps

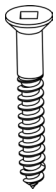


Tape Measure

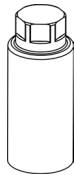


Electric Drill with Philips and Square bit

Hardware Included



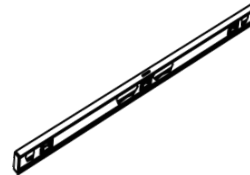
#8 Screws
(Attachment Screws)



Legs

— Countertop Installation —

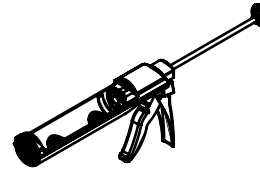
Tools Required



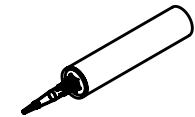
Box Level



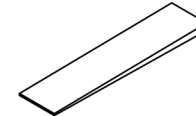
Pencil



Caulking Gun



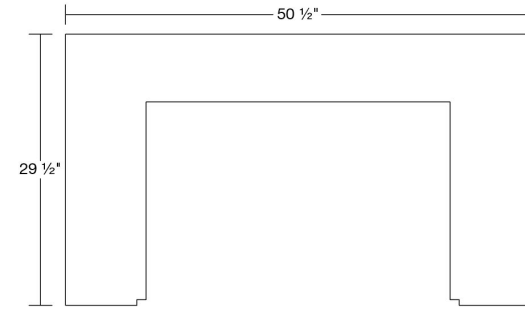
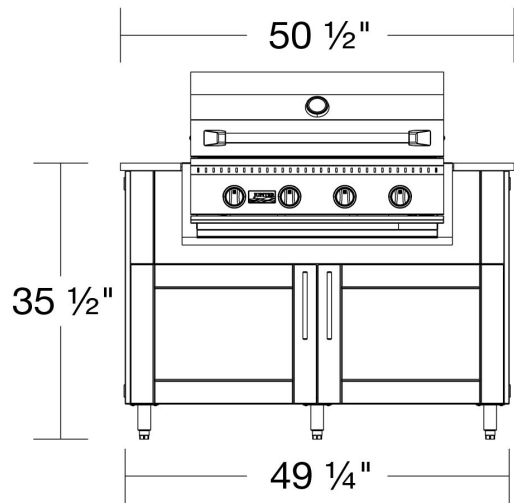
Outdoor Rated Adhesive



Shims

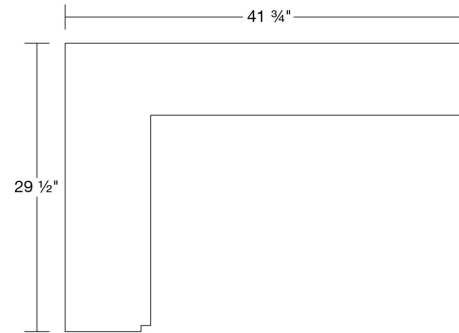
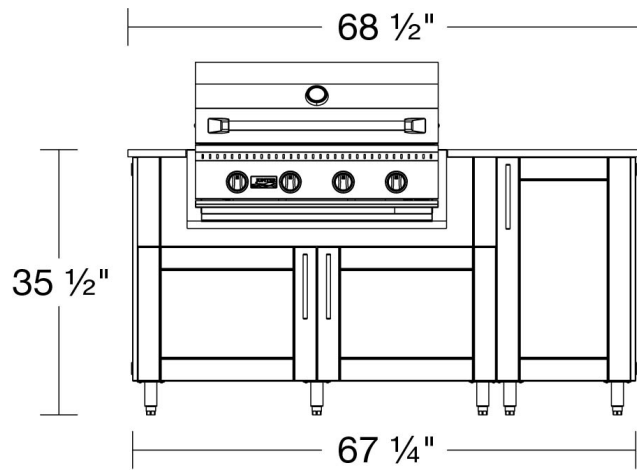
CAUTION: Safety glasses and gloves recommended

F505C

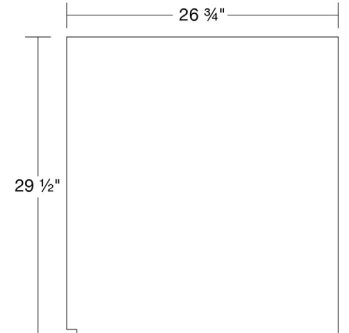


CTL-JUPU1-GF

F685L

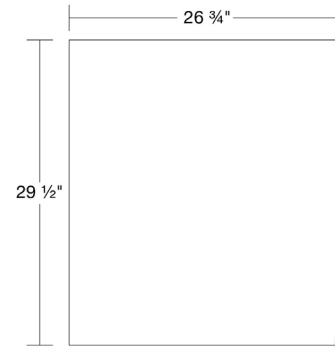
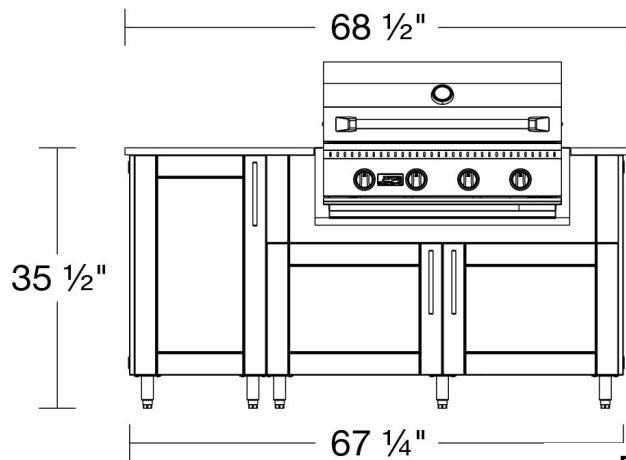


CTL-JUPL2-GF

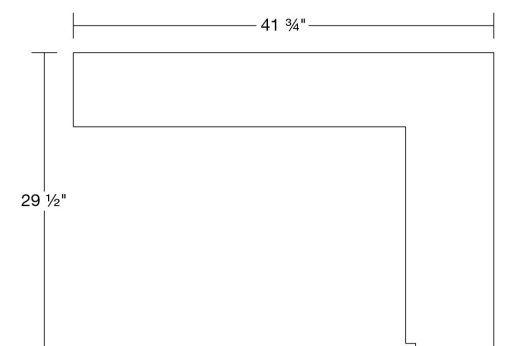


CTL-JUPR1-GF

F685R



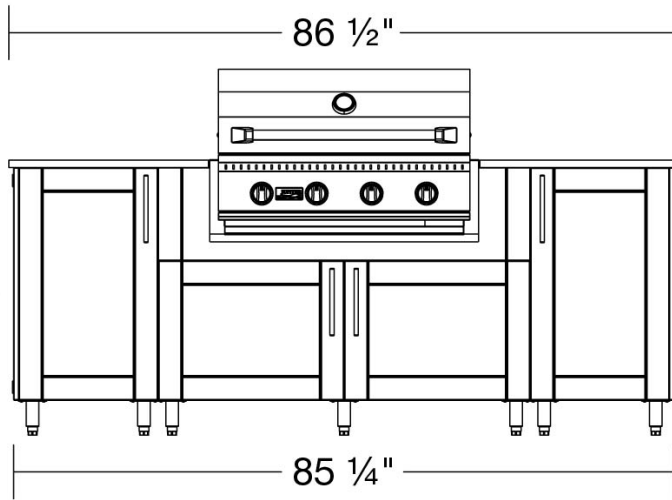
CTL-JUPL1-GF



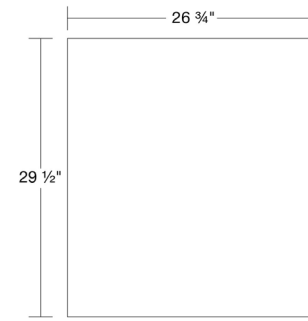
CTL-JUPR2-GF

F865C

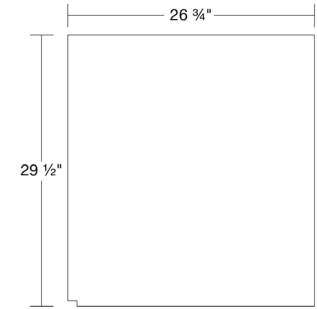
35 1/2"



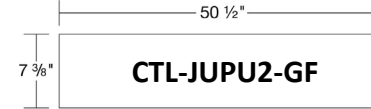
85 1/4"



CTL-JUPL1-GF



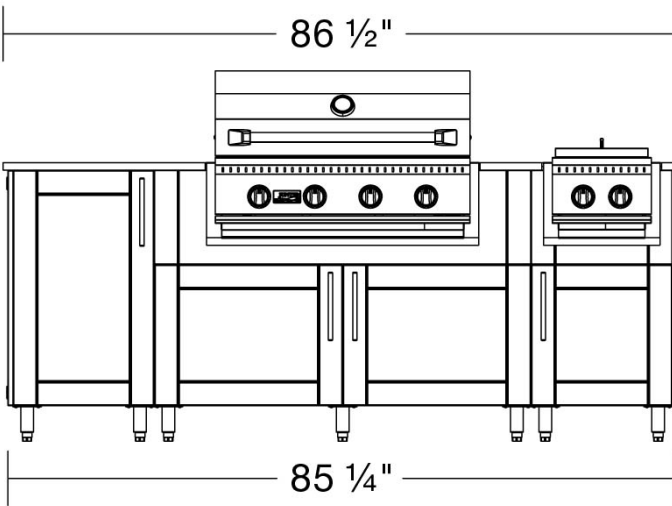
CTL-JUPR1-GF



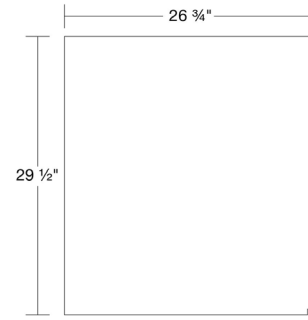
CTL-JUPU2-GF

F865CBR

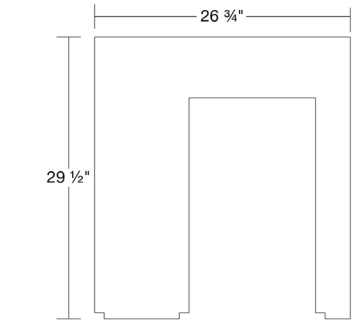
35 1/2"



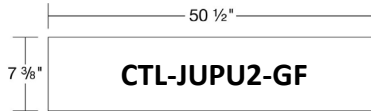
85 1/4"



CTL-JUPL1-GF



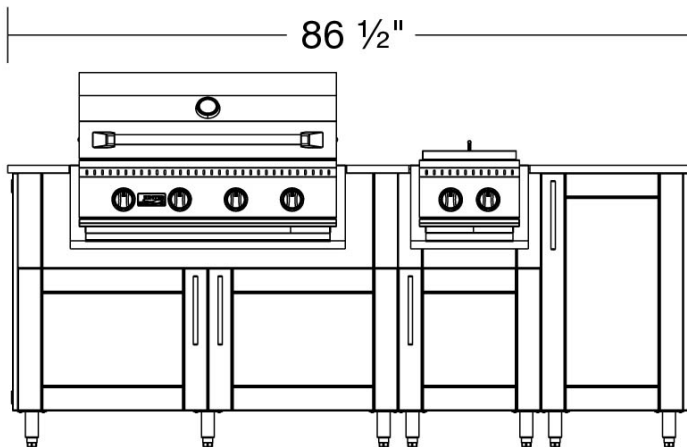
CTL-JUPR3-GF



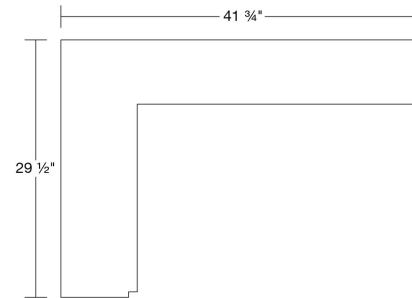
CTL-JUPU2-GF

F865LBR

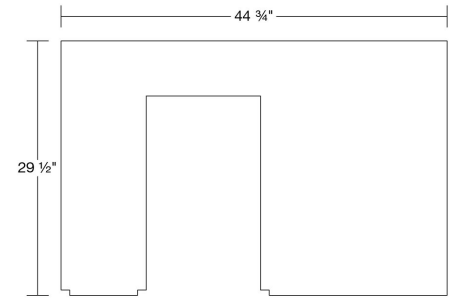
35 1/2"



85 1/4"

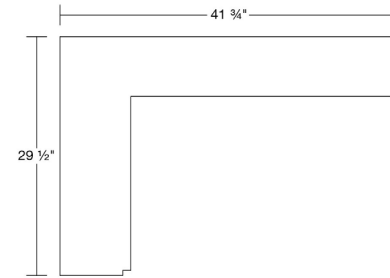
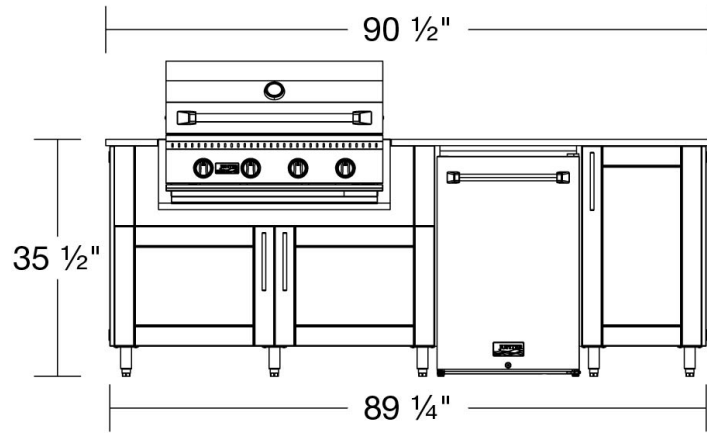


CTL-JUPL2-GF

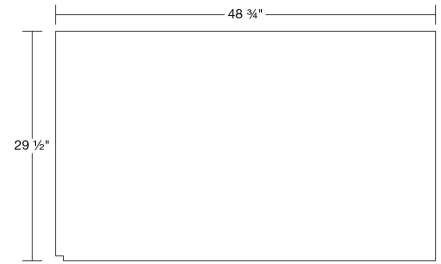


CTL-JUPR4-GF

F905LFR

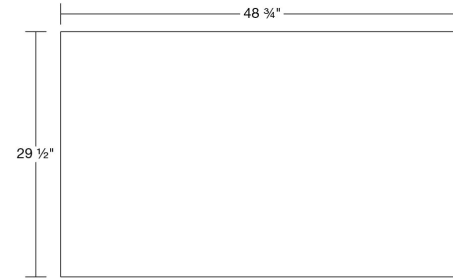
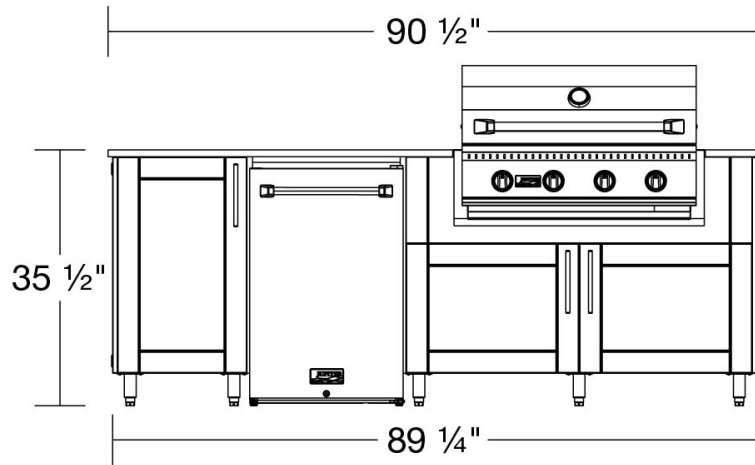


CTL-JUPL2-GF

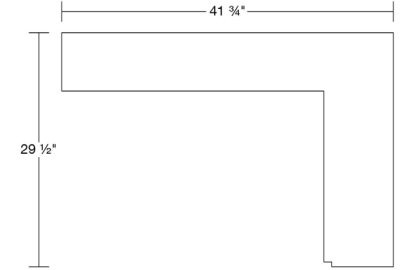


CTL-JUPR5-GF

F905RFL

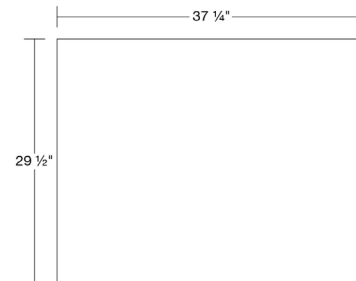
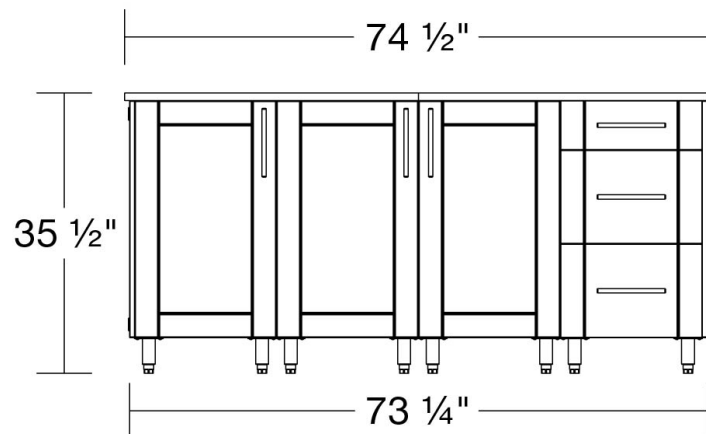


CTL-JUPL5-GF

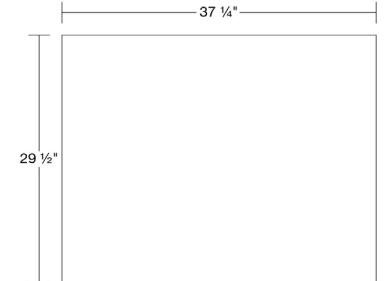


CTL-JUPR2-GF

F745DR

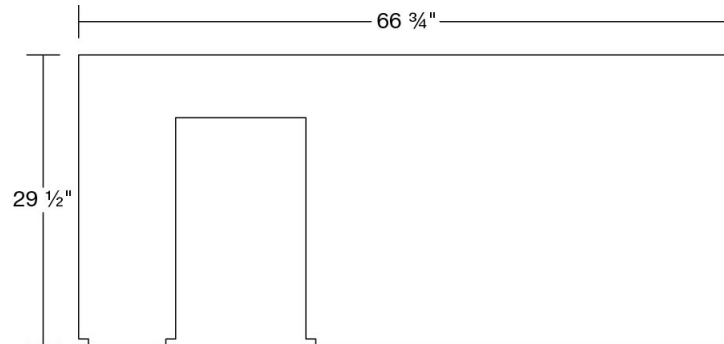
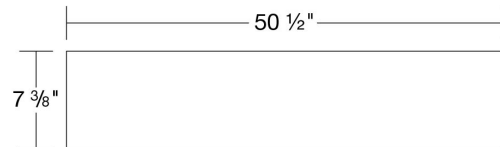
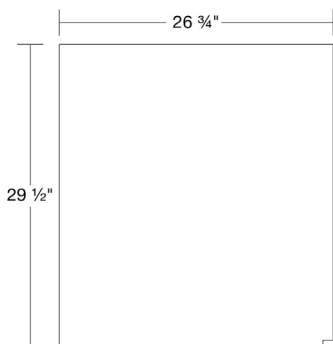
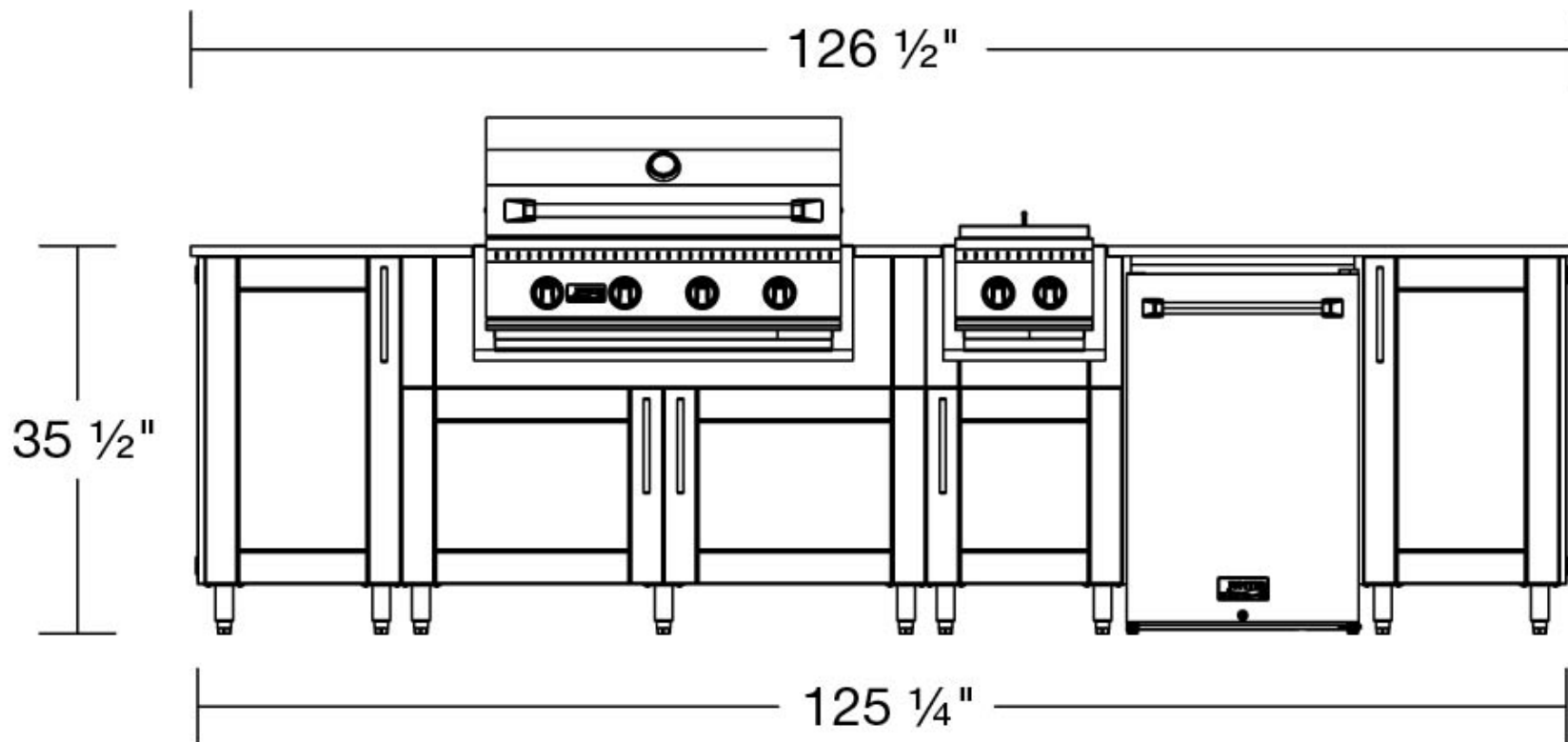


CTL-JUPL6-GF



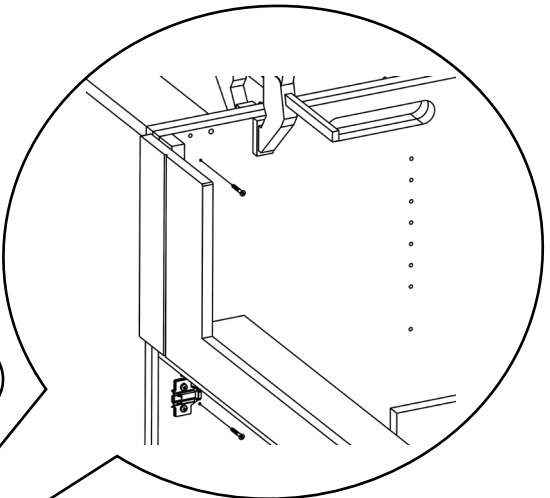
CTL-JUPR6-GF

F126LBRFR

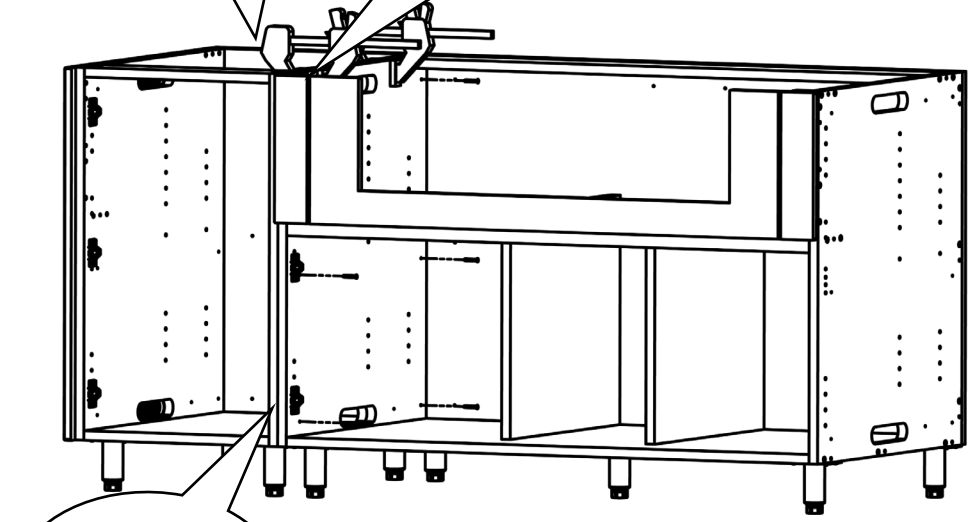


Base Cabinet Installation

REQUIRES
 2x C-Clamps, Drill, & Box Level
 6 x Attachment Screws



Flush Back Panels
 Before Tightening
 Attachment Screws



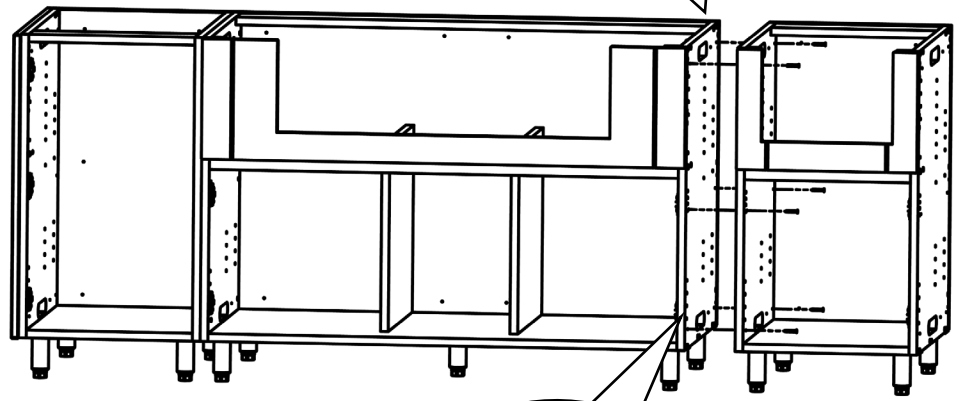
Flush
 Front &
 Top Edges

Align the attachment screw holes of the right side of the Base cabinet to the left side of the Grill Base cabinet. Then, temporarily hold each cabinet together using C-clamps. Lastly, use the 6 attachment screws to connect each cabinet together.

Side Burner Cabinet Installation

REQUIRES
 2x C-Clamps, Drill, & Box Level
 6 x Attachment Screws

Flush Back Panels
 Before Tightening
 Attachment Screws



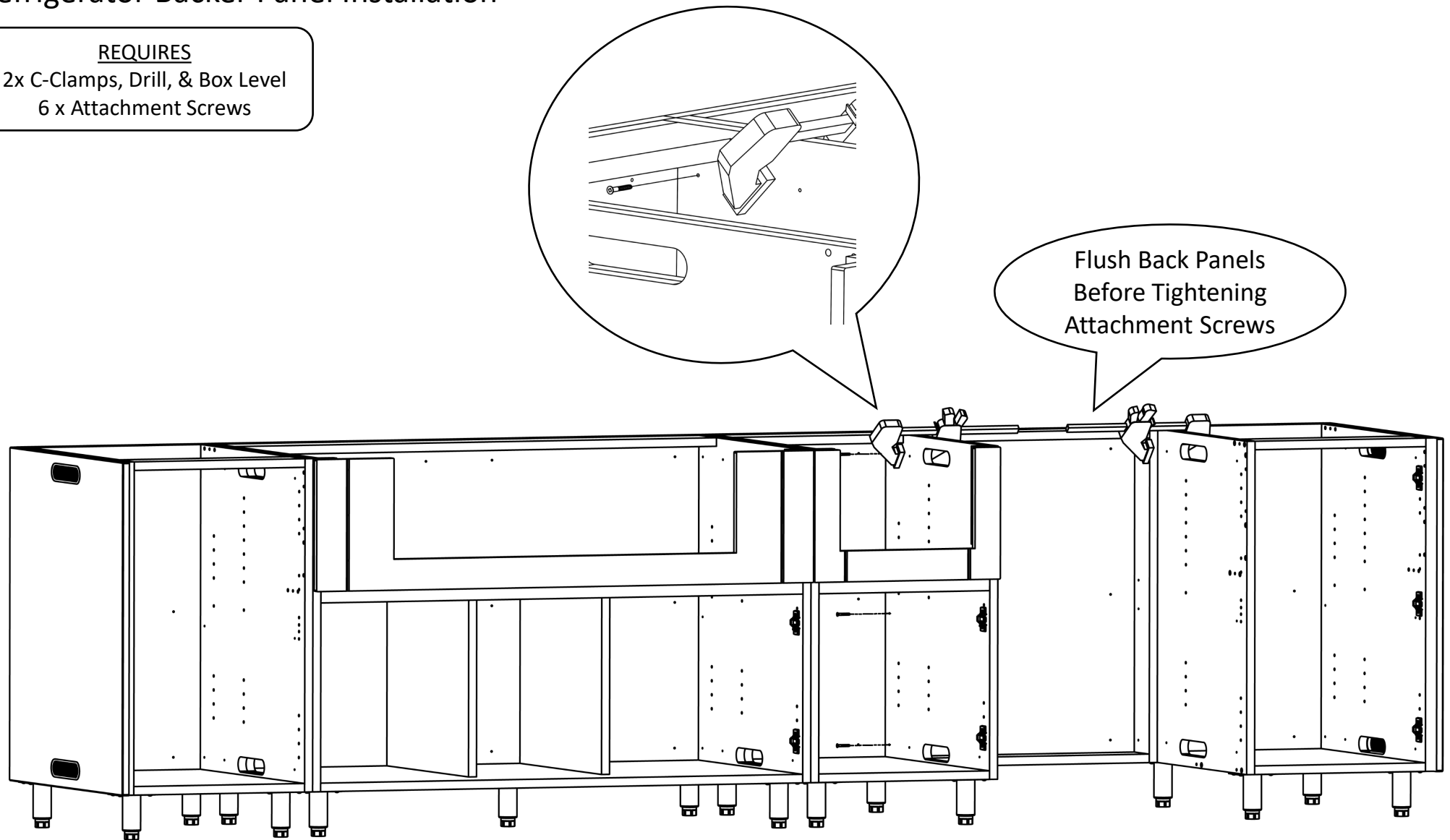
Flush
 Front &
 Top Edges

Align the attachment screw holes of the left side of the Side Burner Base cabinet to the right side of the Grill Base cabinet. Then, temporarily hold each cabinet together using C-clamps. Lastly, use the 6 attachment screws to connect each cabinet together.

Refrigerator Backer Panel Installation

REQUIRES

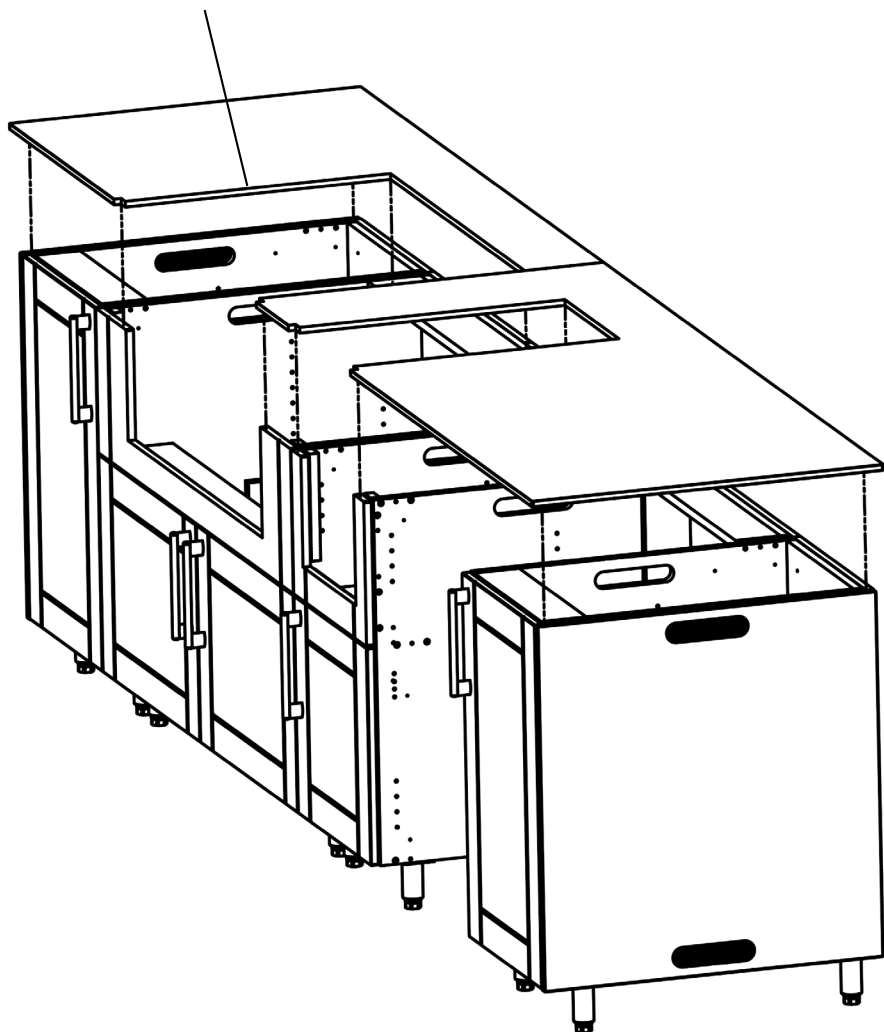
2x C-Clamps, Drill, & Box Level
6 x Attachment Screws



Align the finished back of the Refrigerator Backer to the finished back of the adjacent cabinets and temporarily secure it in place using C-clamps. Use the 6 attachment screws to connect the Refrigerator Backer to both cabinets.

Leveling Island

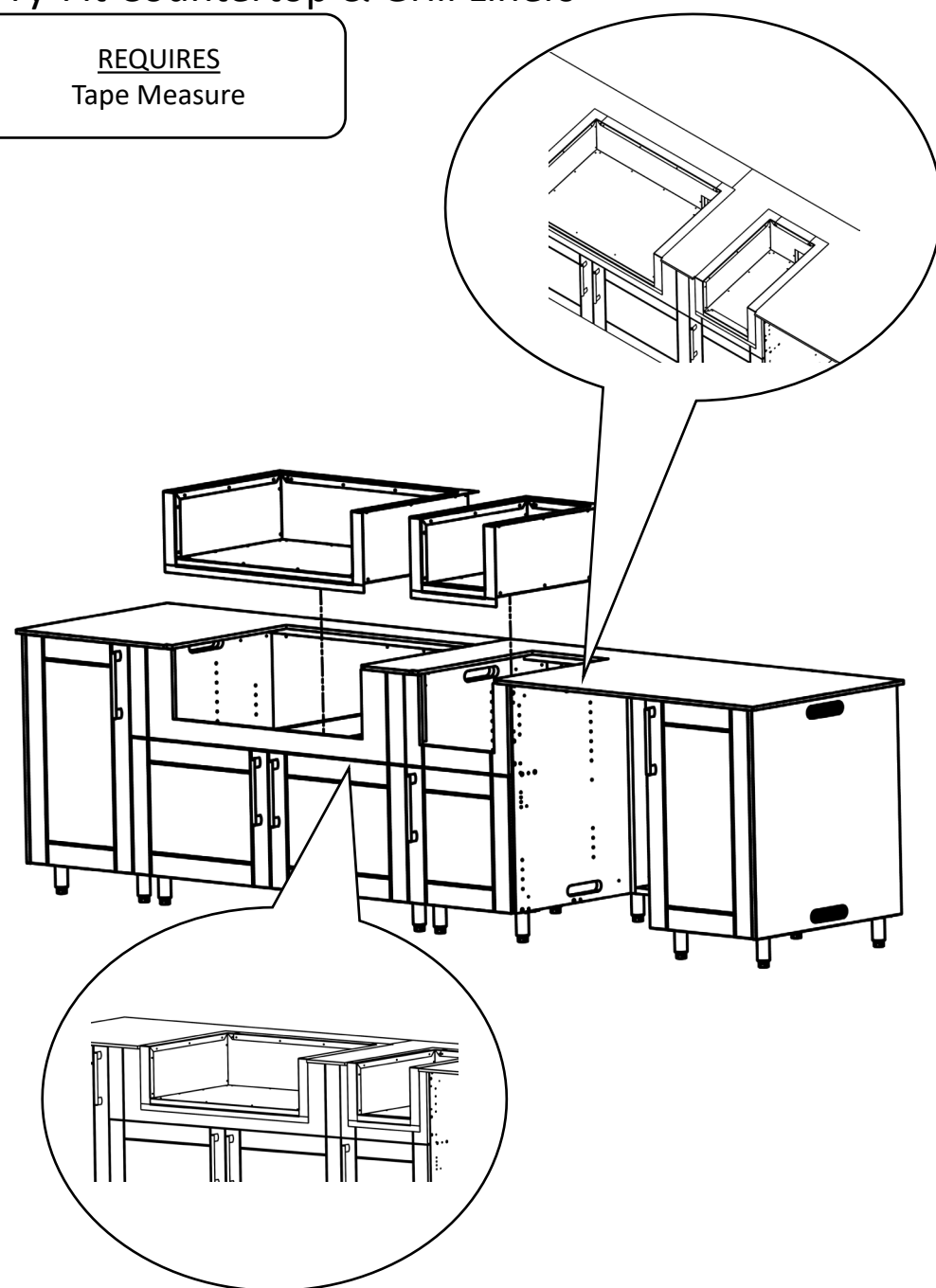
REQUIRES
Box Level



Ensure the top of the island is level before proceeding. Place the countertop components on the island with the letters facing up. Make sure the Grill Liner notches in the countertop are lined up with the apron front cutouts.

Dry-Fit Countertop & Grill Liners

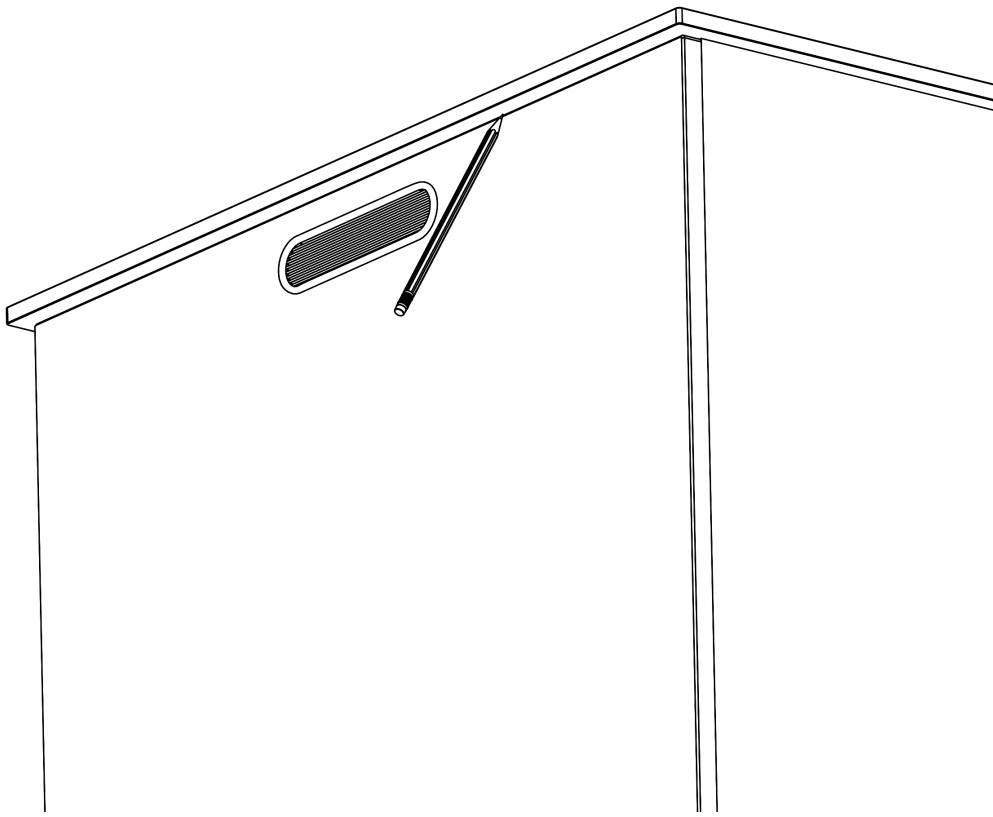
REQUIRES
Tape Measure



Carefully insert the Grill Liner(s), ensuring the front of the Liner(s) is flush against the cabinet Apron Front. Make sure the countertop components fit tight in the back. Shims may be necessary to properly align the tops. The back edge and both ends should overhang approximately 5/8"

Installing Countertop Step 1

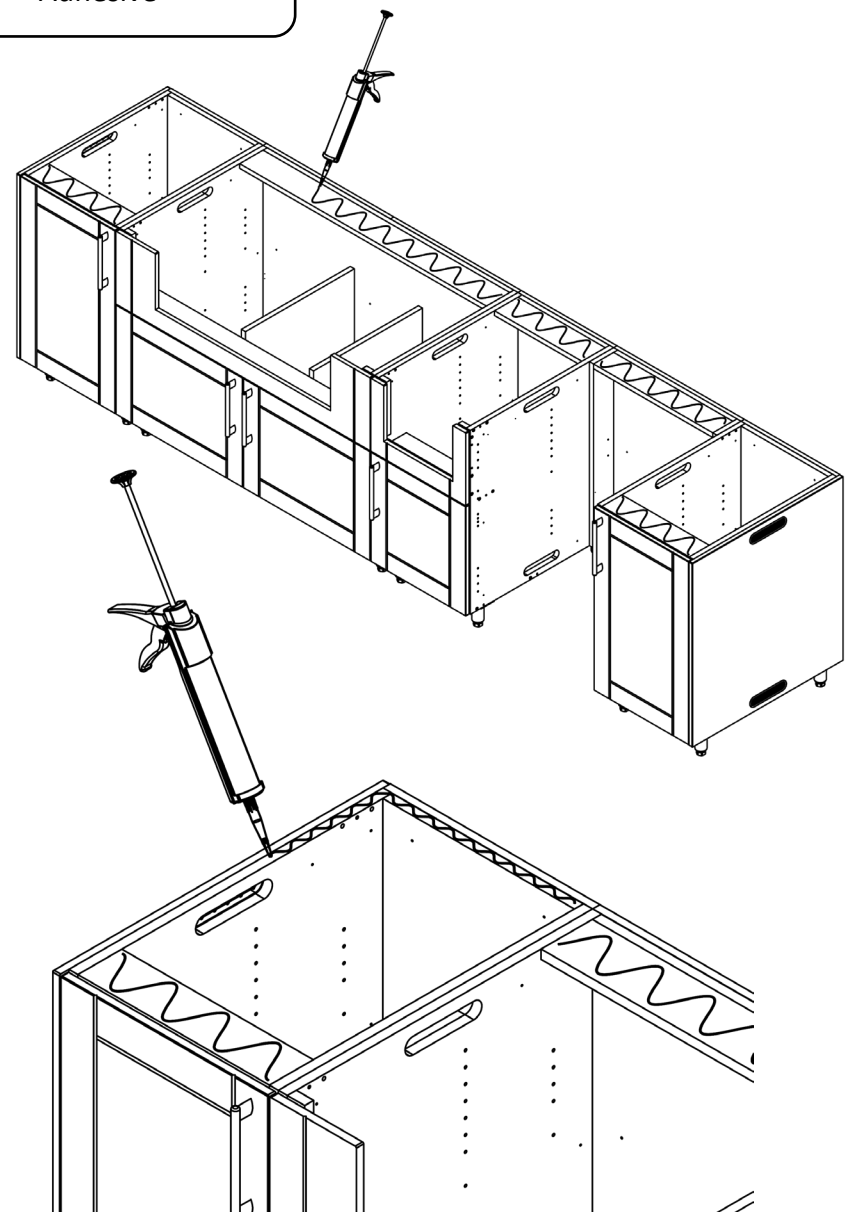
REQUIRES
Pencil



Once the countertop and Grill Liners are positioned correctly, use a pencil to mark the underside of the countertop.

Installing Countertop Step 2

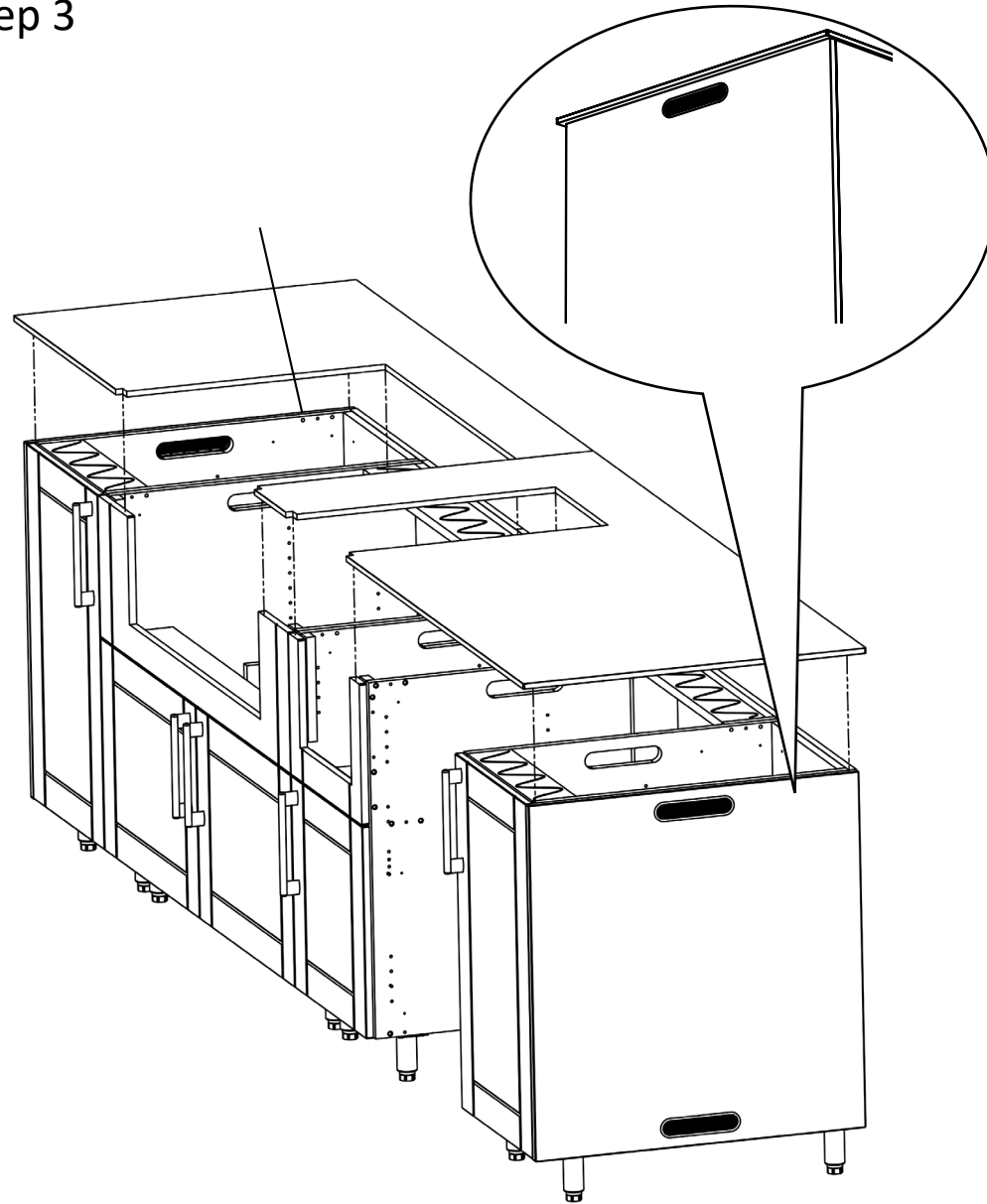
REQUIRES
Adhesive



Remove Grill Liner and the countertop components and set them aside. Apply Outdoor Rated Construction Adhesive liberally to the front and back rails and along the top edge of the cabinets, as shown. Ensure all adhesive is applied to the 3/4" All-Weatherboard® not the 5/8" HDPE.

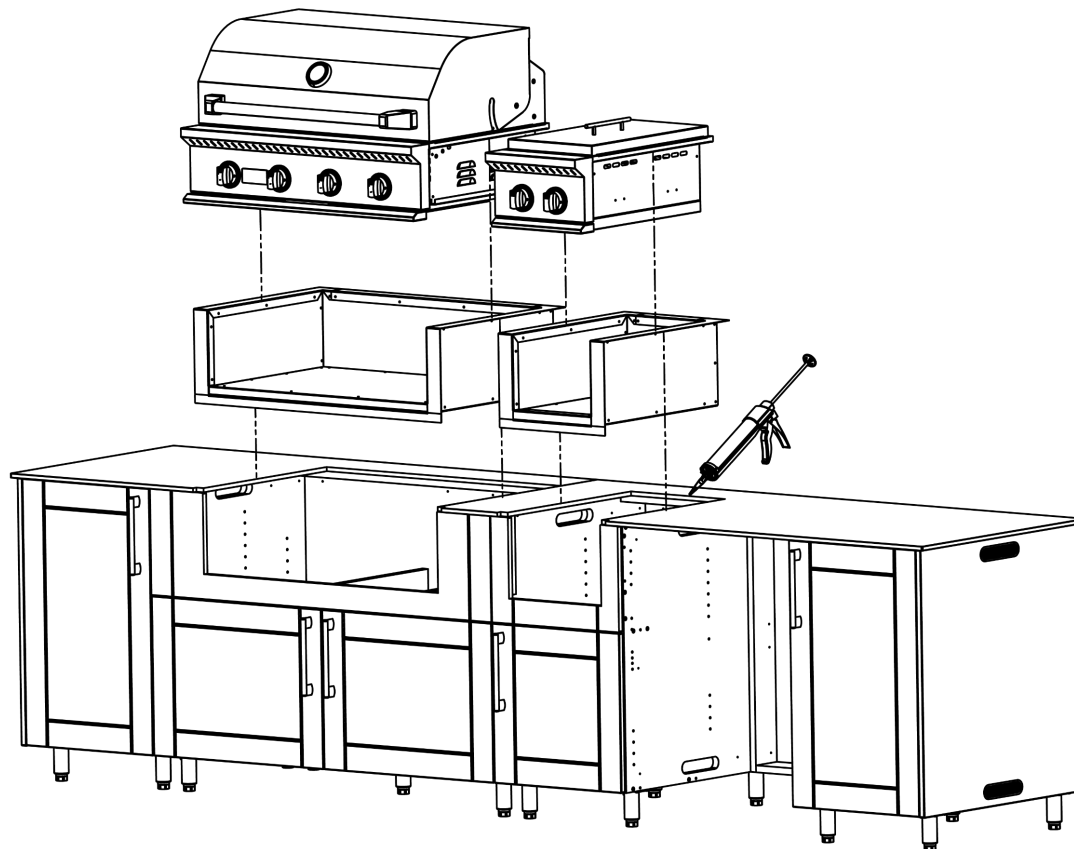
Installing Countertop Step 3

REQUIRES
Box Level



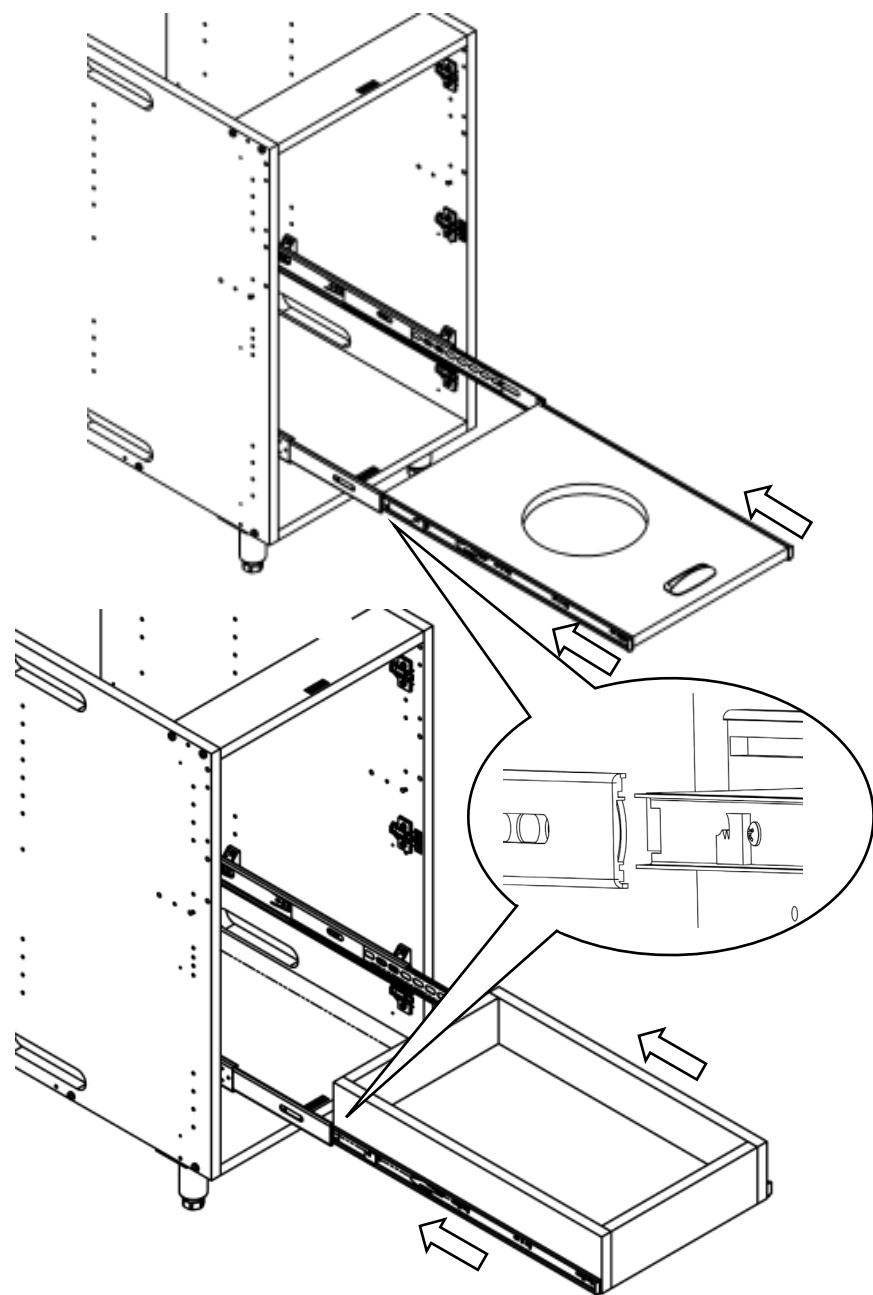
Carefully replace the countertop components using the pencil reference marks. Make sure the countertop pieces fit tightly together and are level; shim if necessary. Use blue painter's tape to hold the pieces together. Allow 24 hours for the adhesive to fully cure before reinstalling the Grill Liner.

Important! All gas hookups, including conversions from propane to natural gas, must be performed by a licensed plumber. Attempting this work without a qualified professional can result in serious injury or death. Always verify and comply with local building and venting code requirements before installation. If access holes are required for hoses or cables, use standard wood drill bits and hole saws.



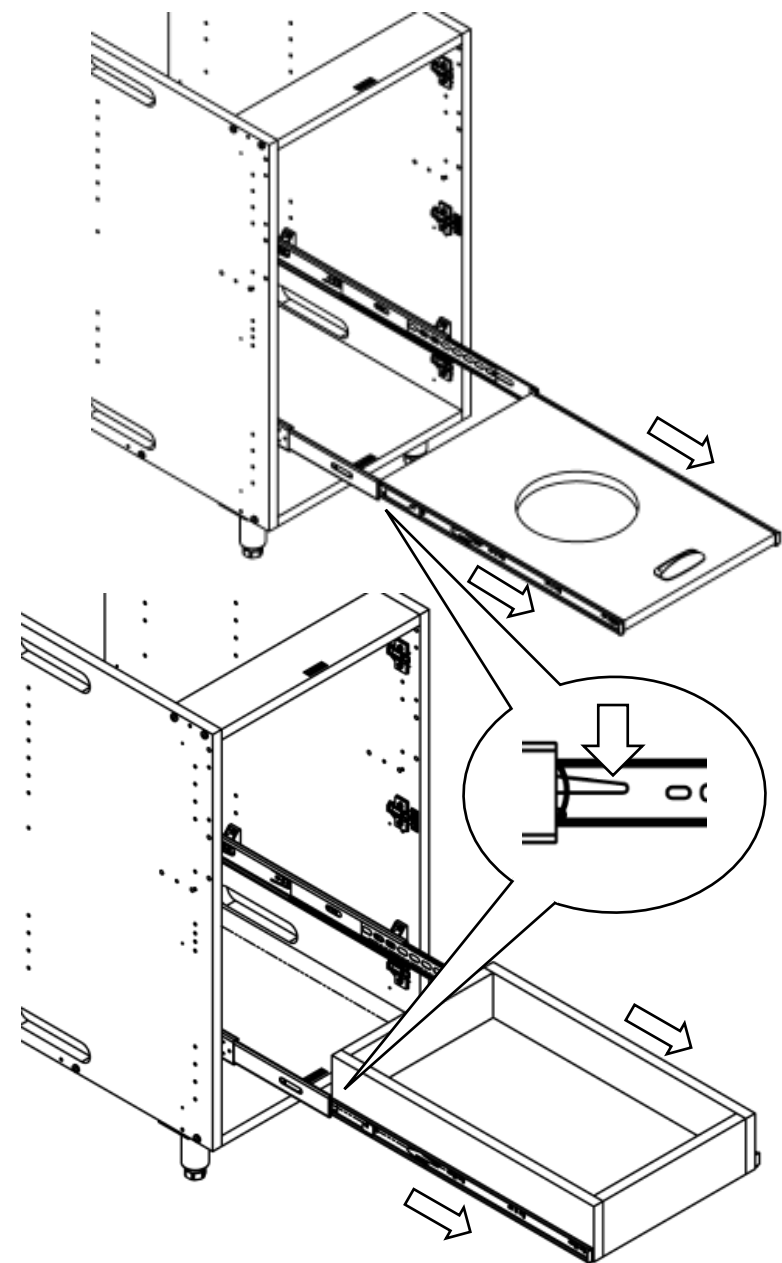
Once the adhesive has fully cured, you can install the Grill Liner. First, run a bead of outdoor rated clear silicone caulk around the countertop cutout and install the Grill Liner. The outdoor rated clear silicon caulk will stop water from entering the cabinet and is flexible enough to cope with the expansion of the Grill Liner when it gets hot. You must also use a bead of outdoor rated clear silicon caulk to seal the grill head into the Grill Liner.

Installing Propane Pull-Out Trays or Roll-Out Trays

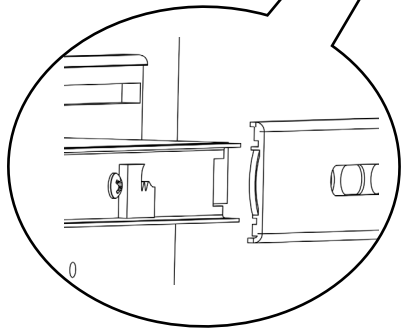
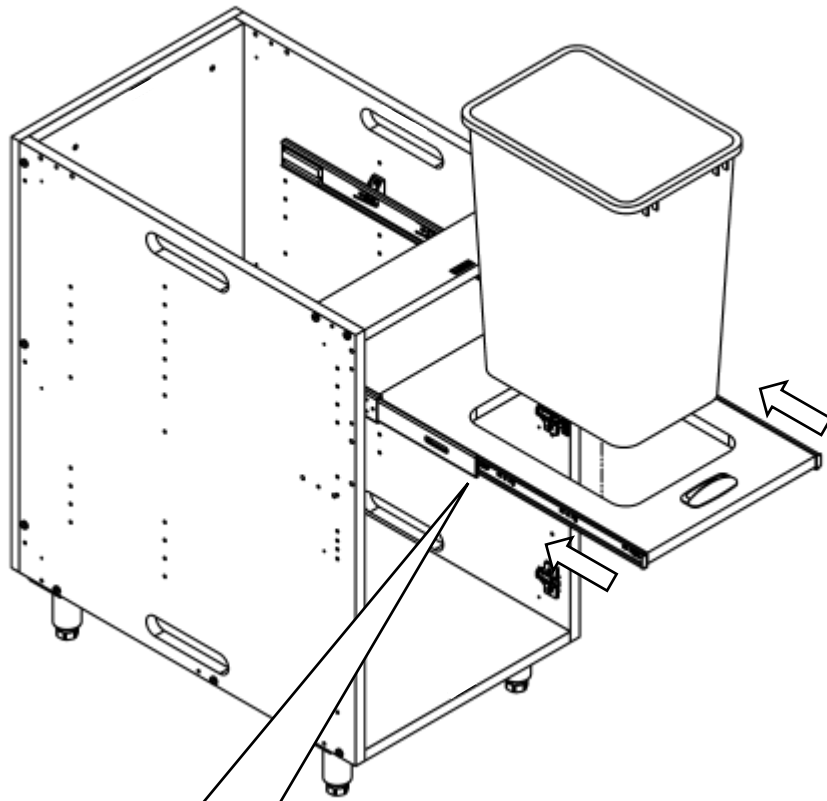


Carefully slide the propane pull-out or roll-out tray into the larger runner members by inserting the smaller runner members into the plastic guides at the front of the larger members. You should hear a 'click' when fully inserted.

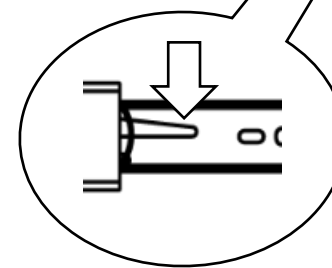
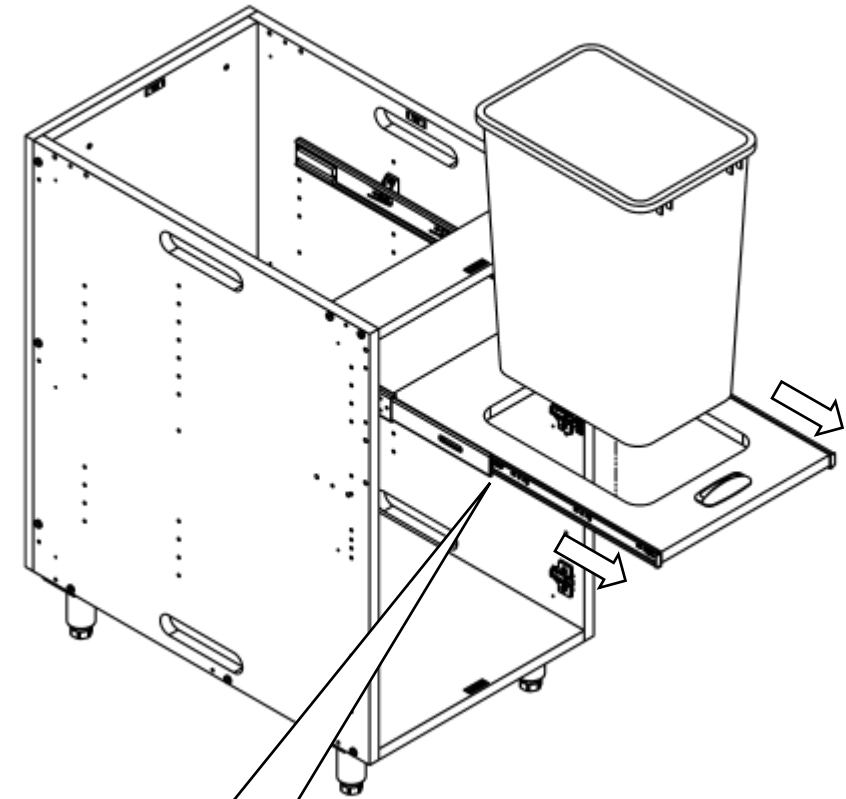
Removing Propane Pull-Out Trays or Roll-Out Trays



Carefully remove the propane pull-out or roll-out tray by pressing down on the white tab pull runner member and pulling apart from larger runner member.

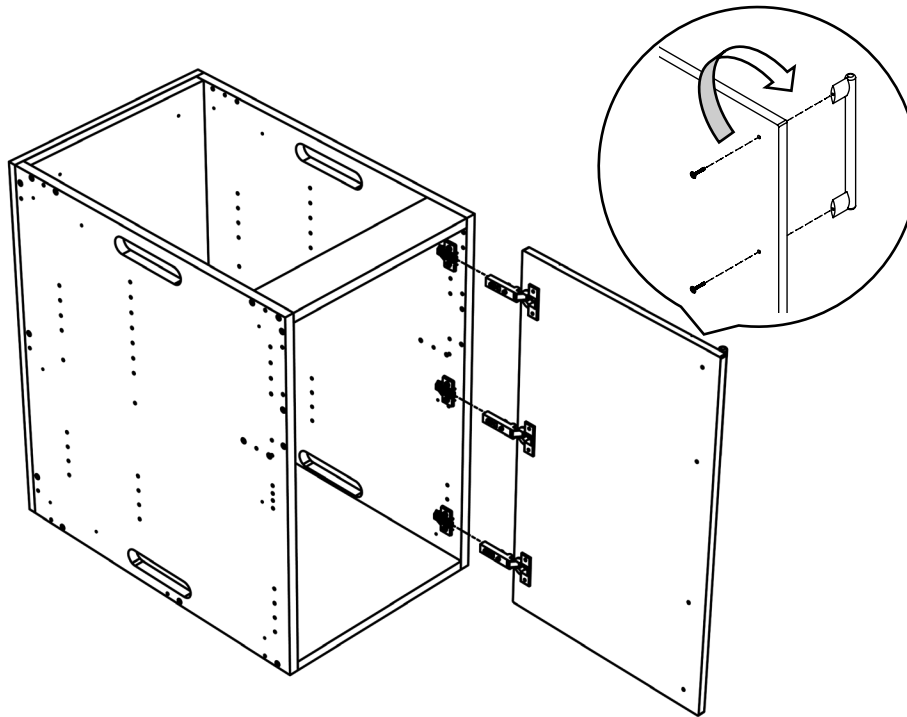
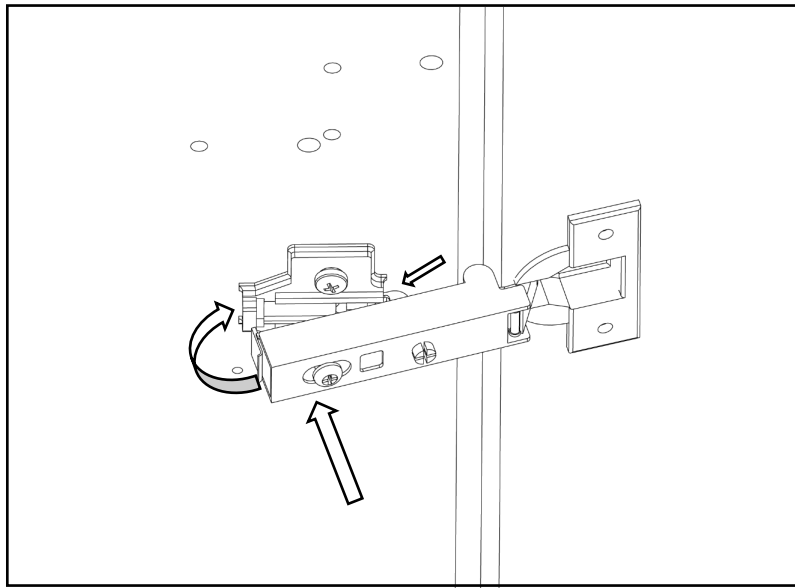


Carefully slide the waste basket pull-out into the larger runner members by inserting the smaller runner members into the plastic guides at the front of the larger members. You should hear a 'click' when fully inserted. Then put waste bin back in.



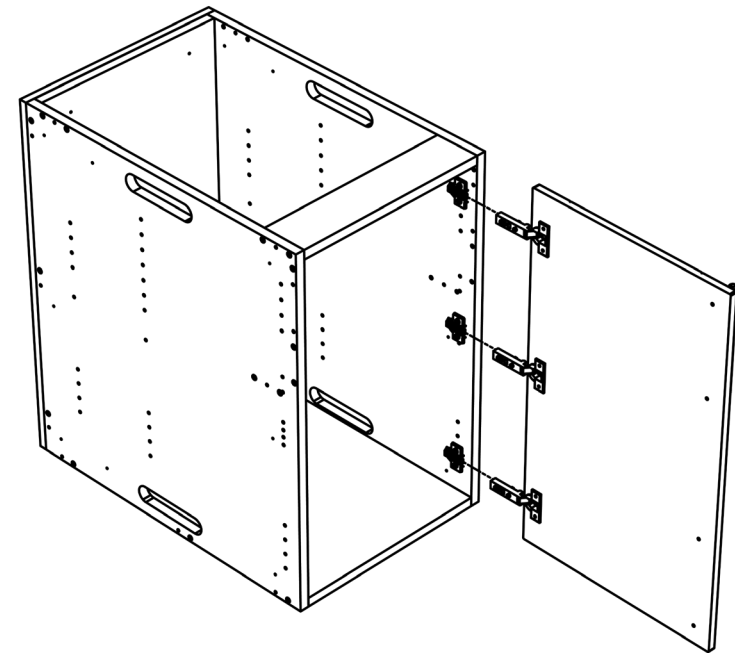
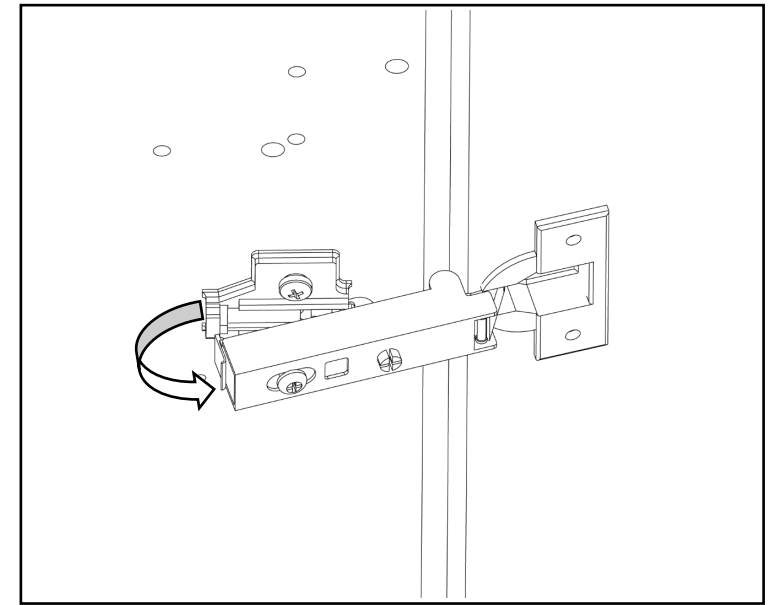
Remove waste basket and then, carefully remove the waste basket pull-out by pressing down on the white tab pull runner member and pulling apart from larger runner member.

Installing Doors



Reattach all doors by locating the small “hooks” on the underside of the Soft-Close Hinge and hook them under the front of the Hinge Plate, then press the back of the hinge towards the plate until it “clicks” into place. Repeat for the remaining hinges.

Removing Doors



Find the latch on the back of each hinge and pull it towards you to disconnect each Soft-Close Hinge from its Hinge Plate. Once you have disconnected each Soft-Close Hinge, carefully remove the door and place it to the side, laying it on a protected surface to avoid any unnecessary damage. Repeat for all doors.

Care and Adjustment Guide

AFTER INSTALLATION CARE

After your cabinets have been installed, wipe down all surfaces with a damp cloth to remove dust. A soft cloth or sponge with mild dishwashing liquid can be used if needed.

EVERYDAY CARE

Salt Water Environments: Oceanfront environments with salt air and sea spray will require regular maintenance and cleaning to prevent rust from forming on the handles, hinges, legs, and drawer runners. Clean stainless steel surfaces several times a month to keep the chemical reaction from the salt from gaining a foothold on the hardware. With regular cleaning, your cabinets will look like new for many years. To achieve maximum corrosion and stain resistance, the surface of the stainless steel must be kept clean.

NEVER use abrasive cleaners, scouring pads, or powdered cleansers.

HARDWARE CARE

Use mild soap and warm water to clean stainless steel legs and door handles. Thoroughly dry hardware surfaces after cleaning. **DO NOT** use silver or brass polish.

GRILL & SIDE BURNER CABINET

Most gas-fed appliances require an insulated jacket when installed near combustible materials. Please refer to your specific island configuration for requirements.

Door Alignment

Cabinets feature a 6-way adjustable hinge that will allow you to adjust and align all the doors after installation

1. The center screw will adjust the door from side to side
2. The top and bottom screws in the hinge plate will allow adjustment up and down
3. The back screw will adjust the door in and out

