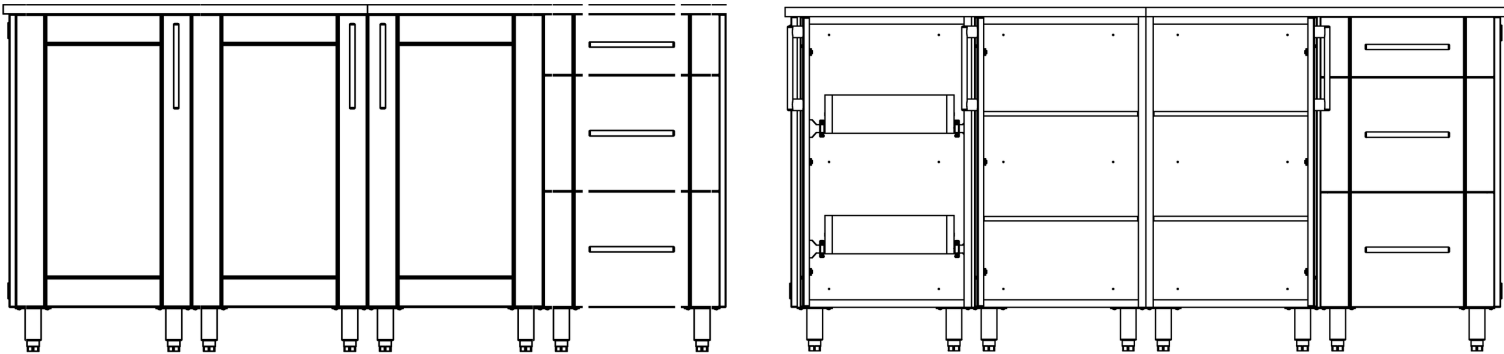




Outdoor Kitchen Owner's Manual & Install Guide



Cabinets - Countertops - Appliances

Model #	Description	Width	Height	Depth
B1827FH	18" Full Height Base Cabinet	18"	34 1/2"	27"
B3D1827	18" 3-Drawer Base Cabinet	18"	34 1/2"	27"
ROTK18-FG	18" Base w/ Rollout Tray Kit	18"	34 1/2"	27"
CTL-JUPL6-GF	Glacier Frost Countertop 6 Left	37 1/4"	1"	29 1/2"
CTL-JUPR6-GF	Glacier Frost Countertop 6 Right	37 1/4"	1"	29 1/2"

Important! All gas hookups, including conversions from propane to natural gas, must be performed by a licensed plumber. Attempting this work without a qualified professional can result in serious injury or death. Always verify and comply with local building and venting code requirements before installation.

Table of Contents

B1827FH - 18" Full Height Base Cabinet	3
B3D1827 - 18" 3-Drawer Base Cabinet	17
ROTK18-FG - 18" Base w/ Rollout Tray Kit	36
Steps for Successful Installation	43
Tools Required	44
Island Configurations	45
Installation and Care	49

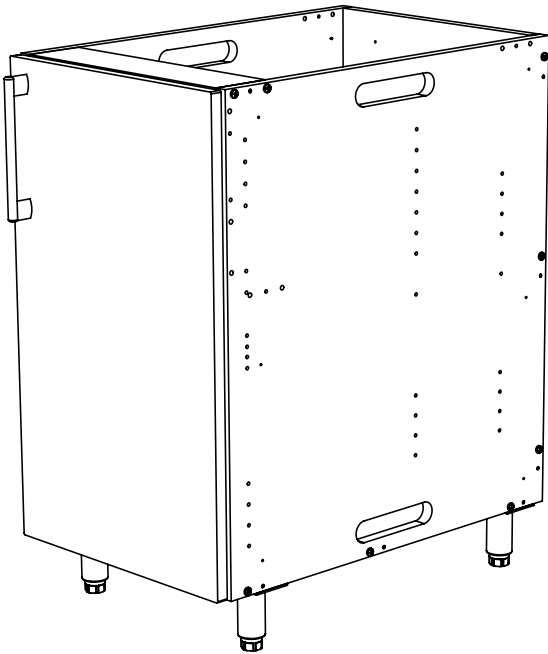
Assembly Instructions – B1827FH

18" wide x 27" deep Full Height Base Cabinet

Requires:	Description:
1 – C1	18" wide Base Cabinet Panel Kit
1 - D1	Door & Back Panel Pack - HDPE
1 - E1	Cabinet End Panel Pack - 1-Pair
1 - K1	Assembly Hardware & Legs Kit 01



For assistance visit
Weatherstrong.com
888-845-0004



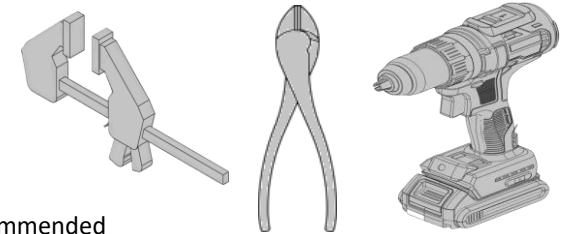
Before you start assembly, inspect all Panels and hardware to ensure nothing is damaged and that you have everything required.

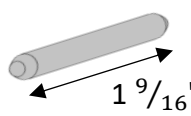
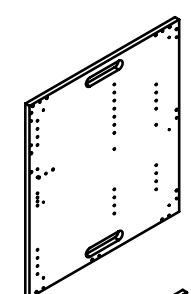
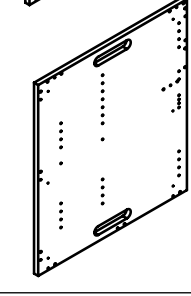
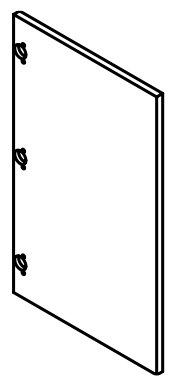
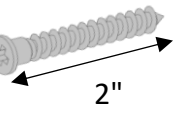
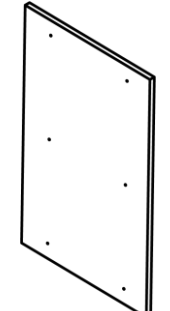
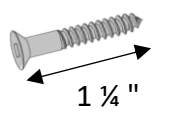
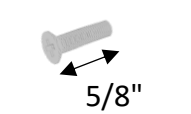
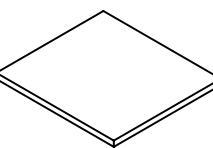
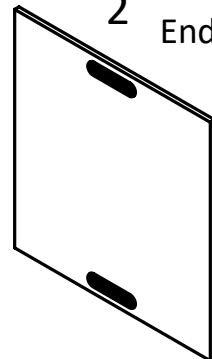
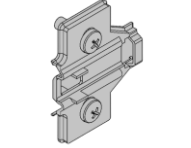

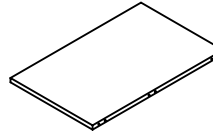
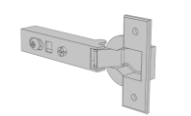
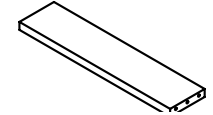
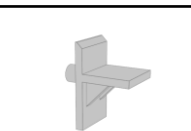
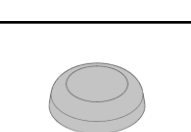
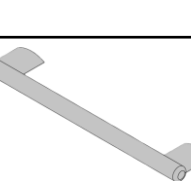
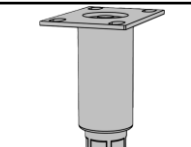
We recommend laying the components on the provided packaging to protect the finish when assembling.

Required Tools

Electric Drill with Phillips and Square bit
Wire Cutters
9/64" Drill bit
Tape Measure
2 x C-Clamp

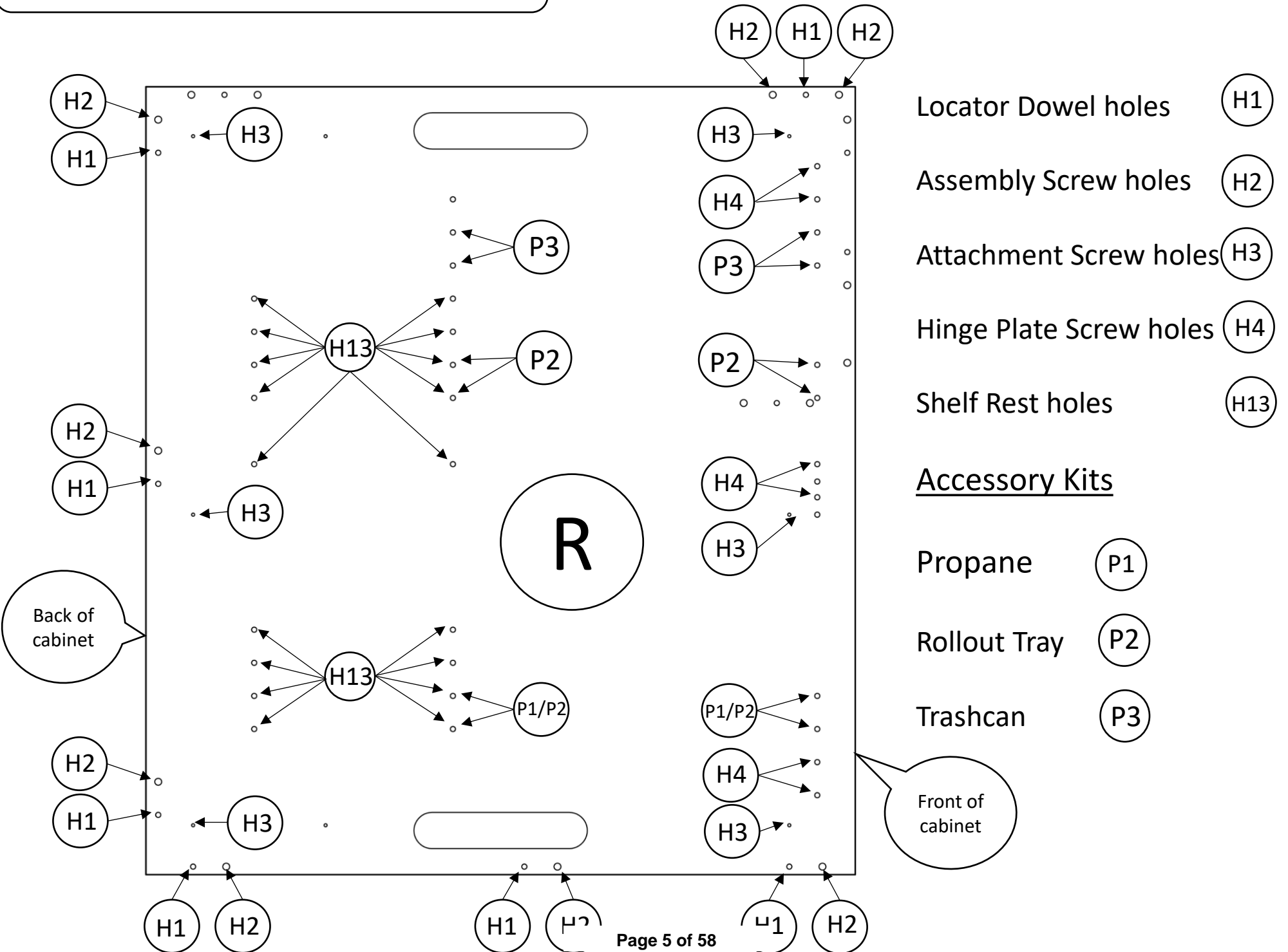
CAUTION : Safety glasses and gloves recommended



Hardware KIT K1				Cabinet Kit Pack E1				Finish Kit Pack D1							
Picture	Qty	Item	Item ID	Picture	Qty	Item	Item ID	Picture	Qty	Item	Item ID				
	14	Locator Dowel	(H1)	 	1	End Panel Left	(L)		1	Door	(I)				
	16	Assembly Screw	(H2)		1	End Panel Right	(R)			1	Matching Back Panel	(J)			
	20	Attachment Screw	(H3)		Cabinet Kit PACK C1					PACK B1 – (Optional)					
	6	Hinge Screw	(H6)			2	Adjustable Shelf	(A)						2	Matching End Panel
	3	Hinge Plate (with pre-mounted screws)	(H4)		1	Back Panel	(B)		1					Fixed Shelf	(F)
	3	Soft Close Hinge	(H5)		1	Top Rail	(C)								
	8	Shelf Rest	(H13)												
	2	Door Bumper	(H7)												
	1	Door Handle Kit	(H9)												
	2	Cabinet Leg 2PK	(H10)												

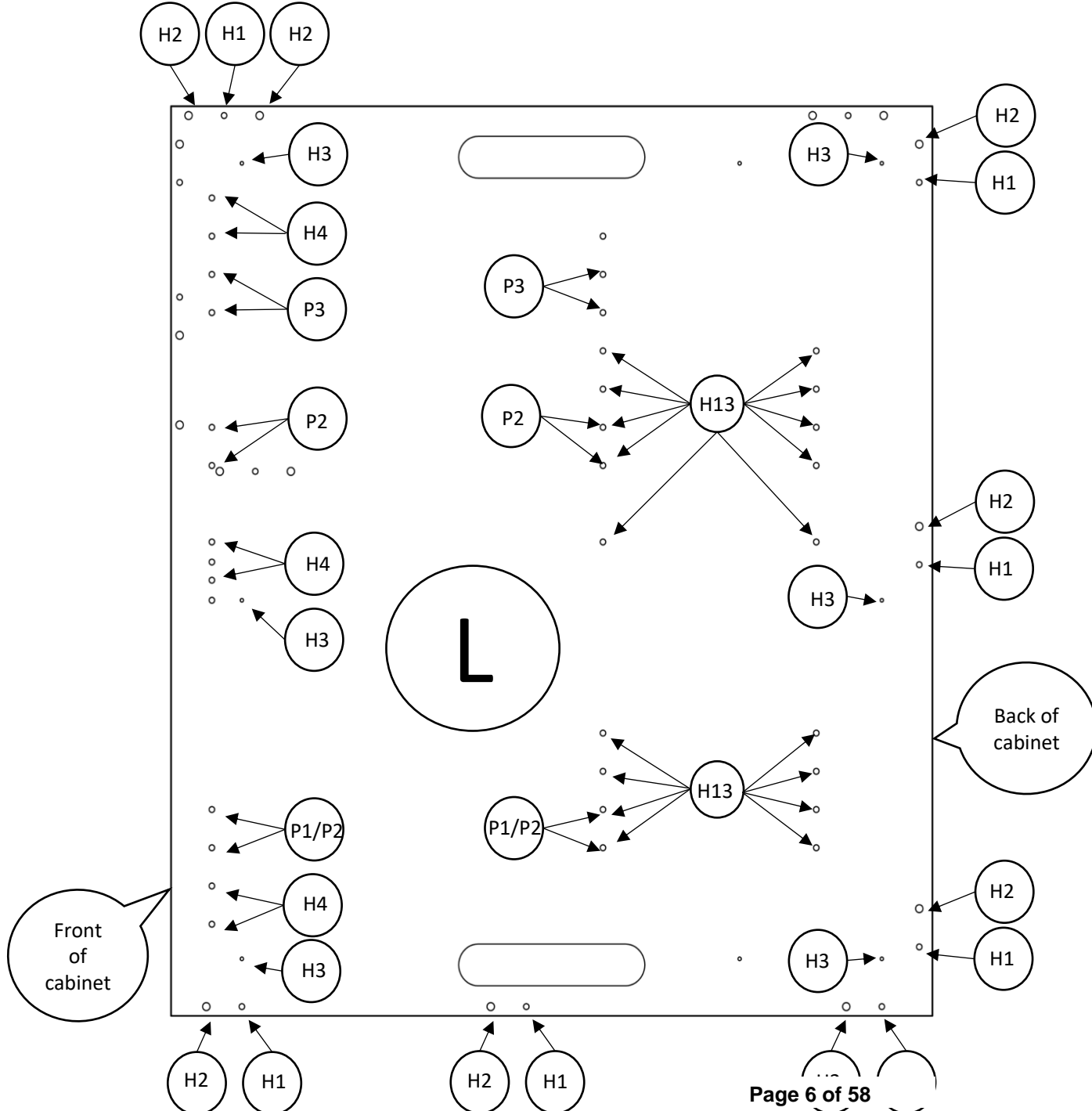
Hole Assignments: Pack E1

Hole Assignments – Right End Panel



Hole Assignments: Pack E1

Hole Assignments – Left End Panel



- Locator Dowel holes (H1)
- Assembly Screw holes (H2)
- Attachment Screw holes (H3)
- Hinge Plate Screw holes (H4)
- Shelf Rest holes (H13)
- Accessory Kits
- Propane (P1)
- Rollout Tray (P2)
- Trashcan (P3)

STEP 1

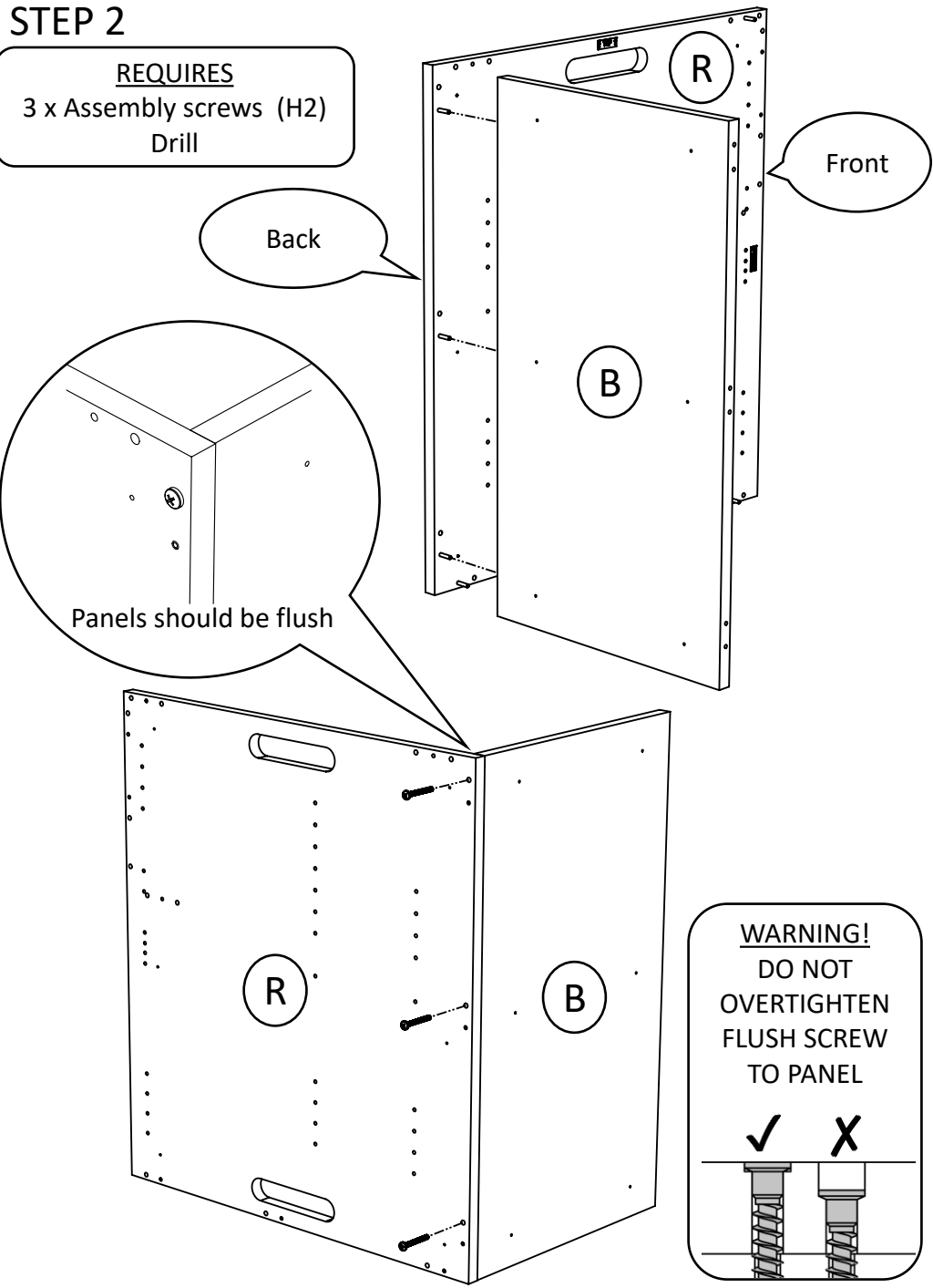
REQUIRES
14 x Dowels (H1)



Lay **Panel (R)** and **(L)** on a flat surface and insert **Locator Dowel (H1)** in the correct locator dowel holes. Reference pages 3 and 4.

STEP 2

REQUIRES
3 x Assembly screws (H2)
Drill

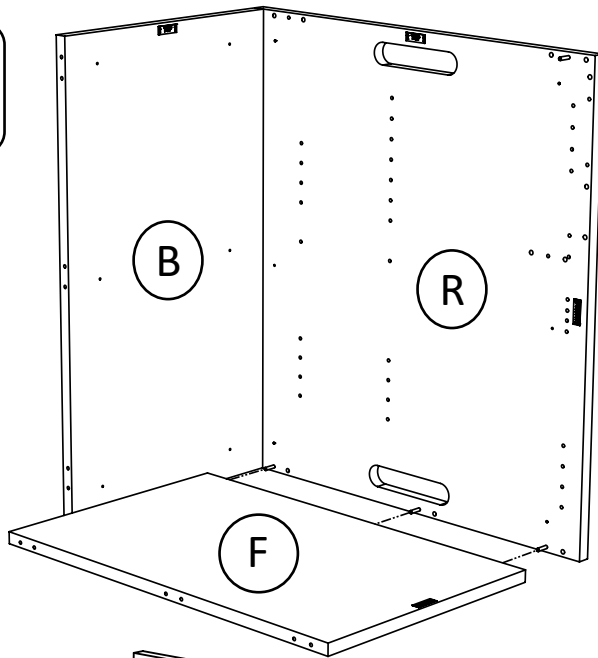


Insert the 3 **Locator Dowels** along the back edge of **Panel (R)** into the locator dowel holes on the side of **Panel (B)**. Using the drill and 3 **Assembly screws (H2)** screw **Panel (R)** to **Panel (B)**. If **Panel (B)** is not flush or inset with the edge of **Panel (R)** rotate **Panel (B)** 180 degrees.

STEP 3

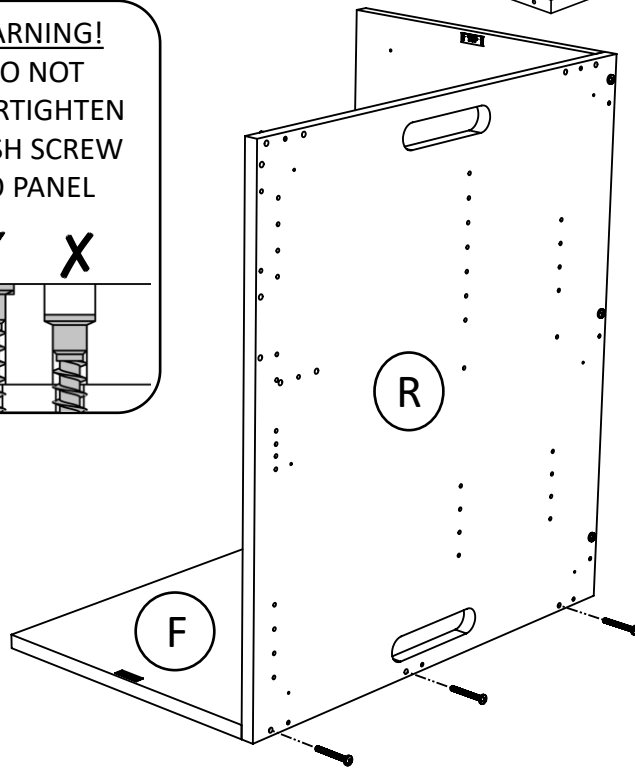
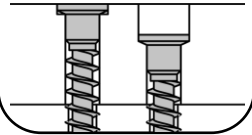
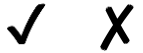
REQUIRES

3 x Assembly screw (H2)
Drill



WARNING!

DO NOT
OVERTIGHTEN
FLUSH SCREW
TO PANEL

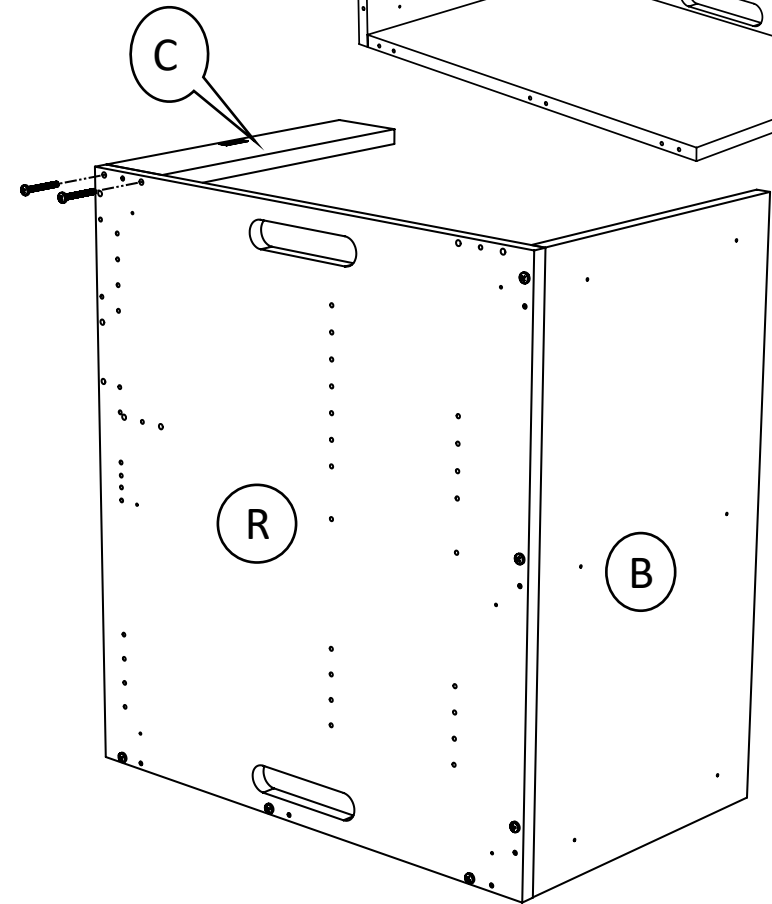
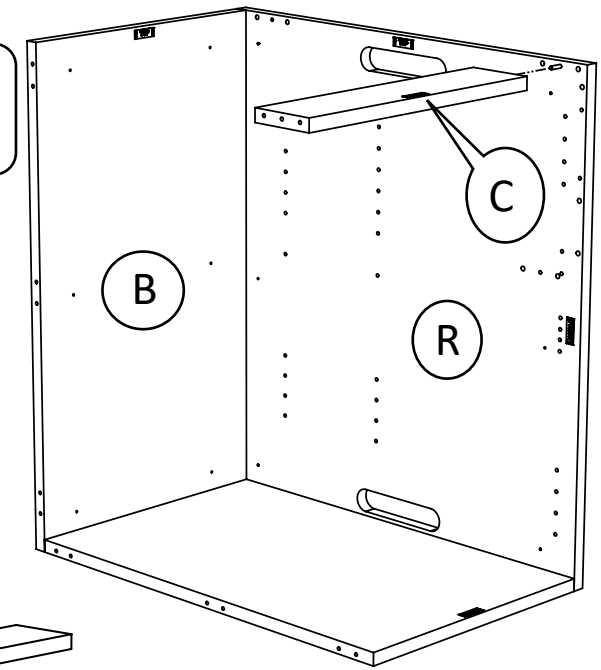


Insert the 3 **Locator Dowels** on the bottom of **Panel (R)** into the locator dowel holes on the side of **Panel (F)**. Using the drill and 3 **Assembly screws (H2)** screw **Panel (R)** to **Panel (F)**.

STEP 4

REQUIRES

2 x Assembly screws (H2)
Drill

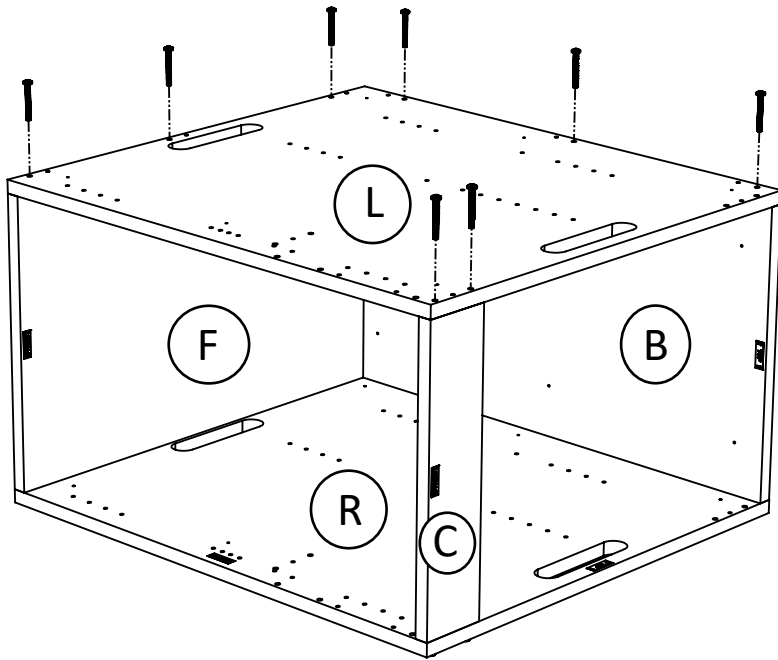
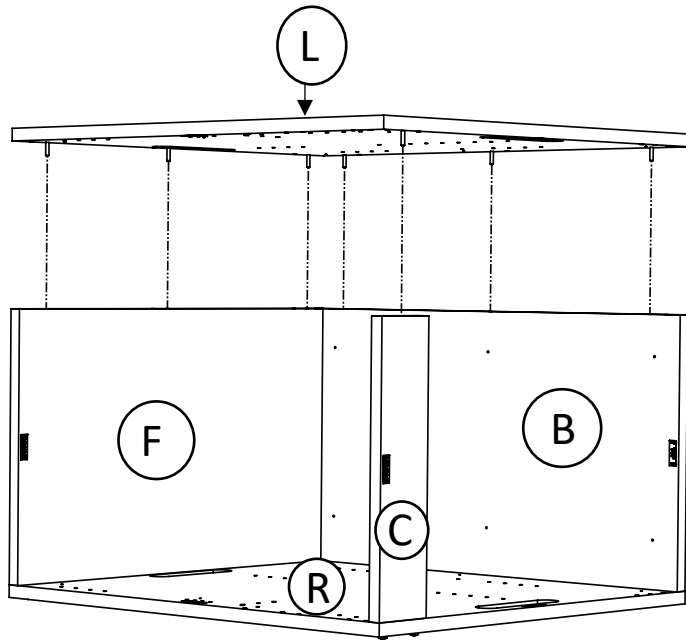
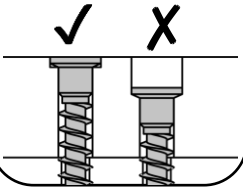


Insert the **Locator Dowel (H1)** on the top right of **Panel (R)** into the dowel hole on **Panel (C)**. Using the drill and 2 **Assembly screws (H2)** screw **Panel (R)** to **Panel (C)**.

STEP 5

REQUIRES
8 x Assembly
screws (H2)
Drill

WARNING!
DO NOT
OVERTIGHTEN
FLUSH SCREW
TO PANEL

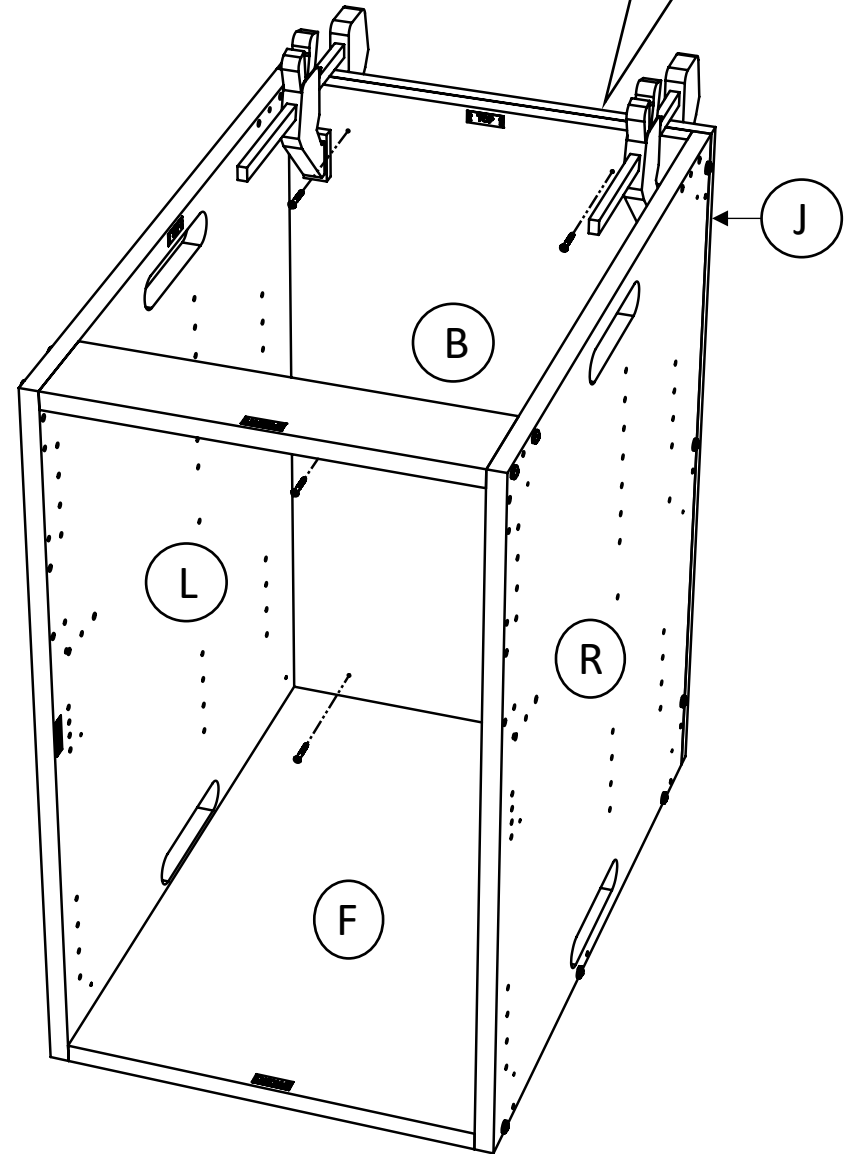


Insert the Locator Dowels on **Panel (L)** into the locator dowel holes on the sides of **Panels (F), (C), and (B)**. Using the drill and 8 **Assembly Screws (H2)** screw **Panel (L)** to **Panels (F), (C), and (B)**.

STEP 6

REQUIRES
6 x Attachment
Screws (H3)
Drill

Back Panel J
Flush with
sides

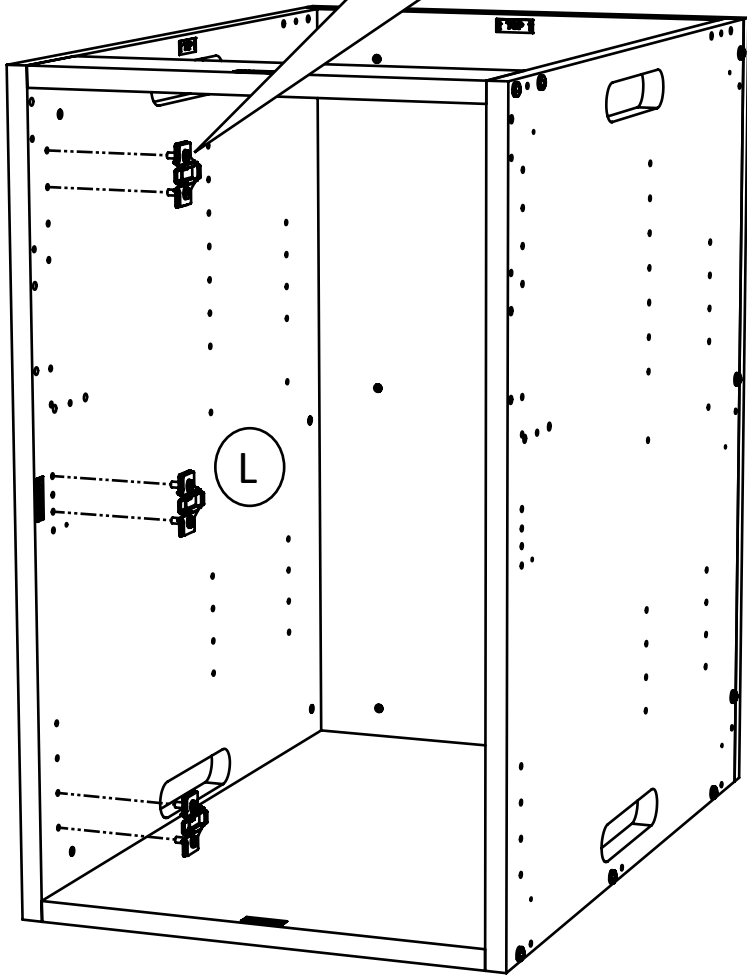
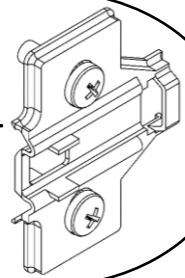


Align **Panel (J)** with the back of the cabinet, ensure sides of **Panel (J)** are flush with sides of the cabinet. Using the Drill and 6 **Attachment Screws (H3)** attach **Panel (B)** to **Panel (J)**.

STEP 7

REQUIRES
3 x Hinge Plate (H4)
Drill

FRONT



Using the drill screw 3 **Hinge plates** (H4) into the correct hinge plate holes. Hinge plates can be attached to either side depending on which way you want the door to open. Reference hole assignment on page 3 or 4.

STEP 8

REQUIRES
2 x Cabinet Leg packs (H10)
Drill

Pro Tip: Make sure the adjustable end of each leg is loose before standing the cabinet upright. This will make leveling the cabinets easier.

Front

2"

Flush
on
side

X4

F

Flush
on
side

Flush
on
side

5/8"

Back

Cabinet Leg Pack (H10) consists of 2 cabinet legs, 2 cabinet leg plates and 8 screws. Screw front cabinet leg plates onto the cabinet 2 inches from the front, and flush to the sides. Screw back cabinet leg plates onto the cabinet 5/8 of an inch from the back and flush to the sides. Now, screw on the 4 adjustable legs.

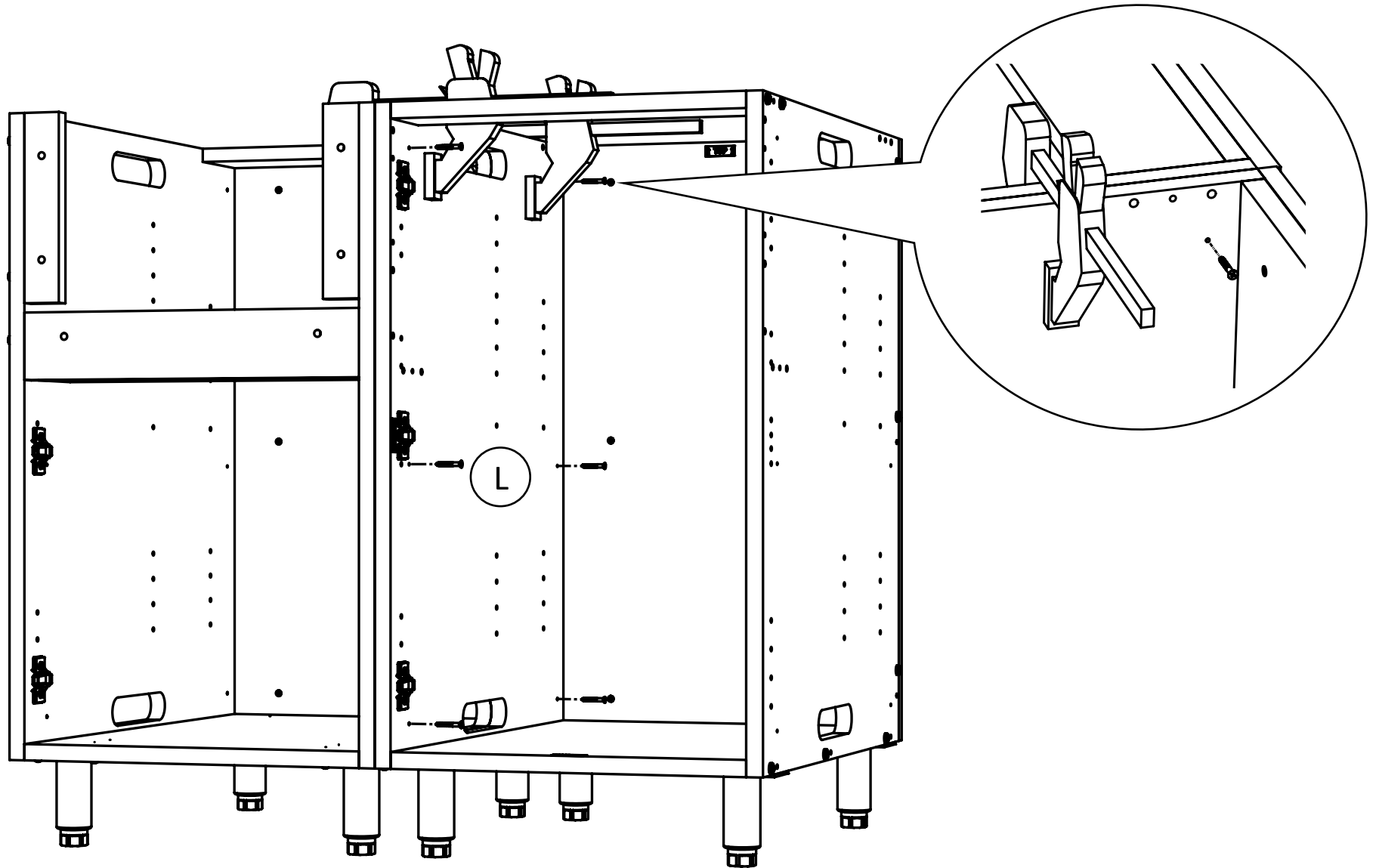
STEP 9 (Depends on location of cabinet)

REQUIRES

6 x Attachment Screws (H3)

Drill

Option A: Joining Cabinets Together



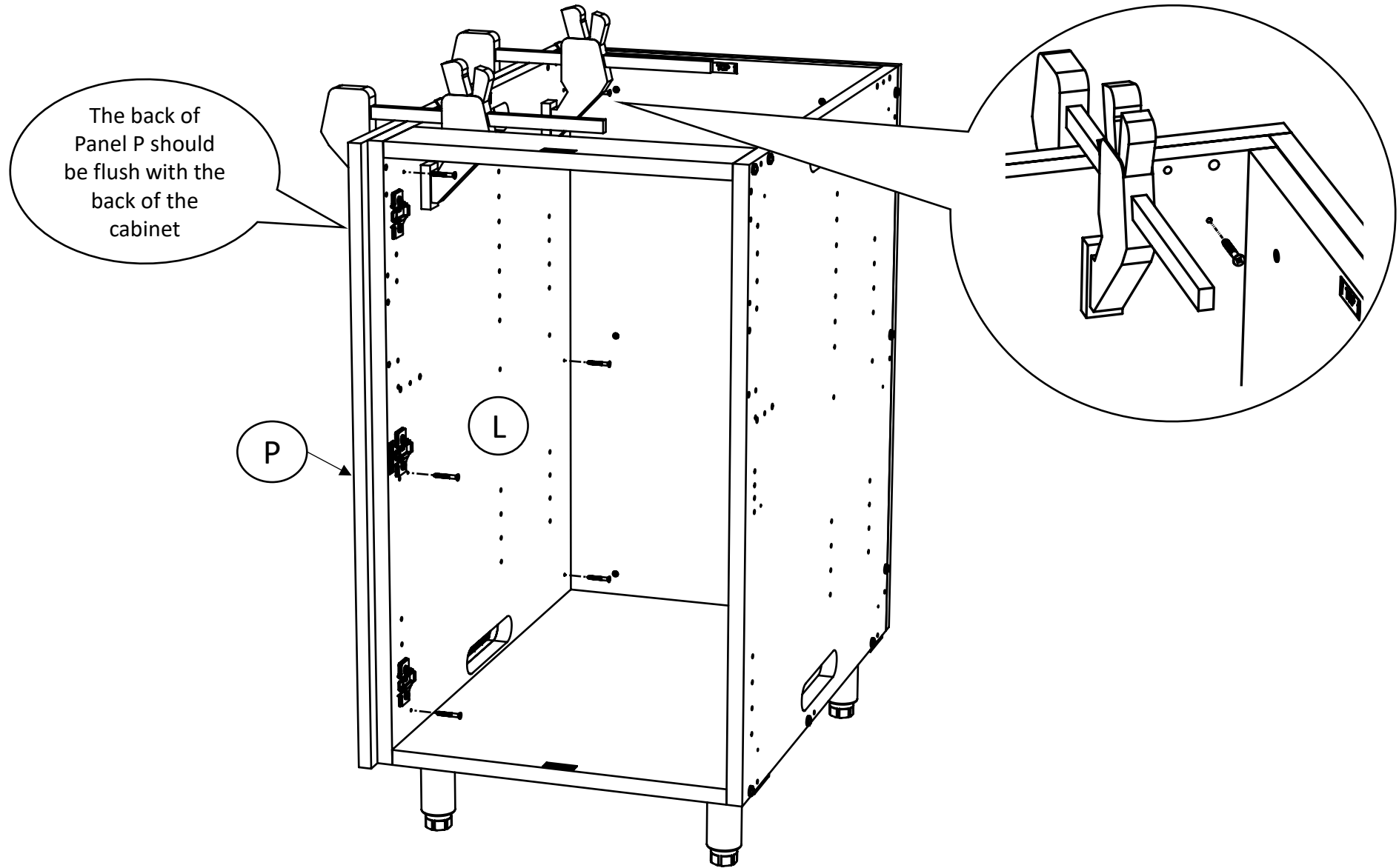
Option A: Screwing Cabinets Together – align the **Attachment Screw** holes in each cabinet and using the Drill and 6 **Attachment Screws** (H3) screw the cabinets together. C-clamps are recommended to secure the **Panels** together while attaching.

STEP 9 (Depends on location of cabinet)

REQUIRES

6 x Attachment Screws (H3)
Drill

Option B: Applying A Finished End

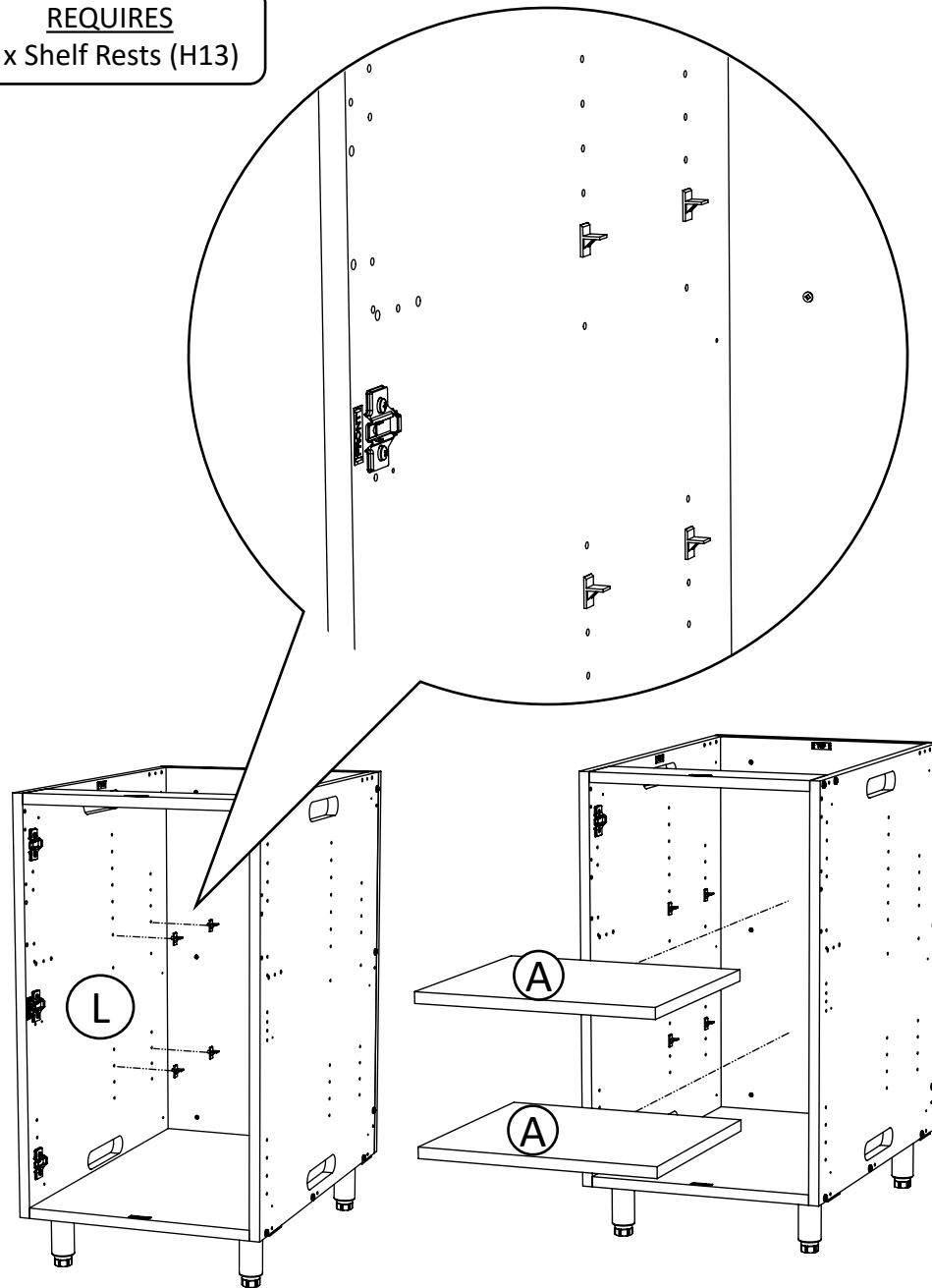


Option B: Applying Finished End – align **Panel (P)** to **Panel (L)** or **Panel (R)**, ensure **Panel (P)** is flush to the back of **Panel (J)**. Using the **Drill** and 6 **Attachment Screws (H3)** screw **Panel (L)** or **(R)** to **Panel (P)**. You may wish to use a C-clamp to secure panels in place while attaching. The back edge of **Finished End (P)** should be flush with **Panel (J)**. The front edge will protrude in front of the cabinet until the doors are installed.

STEP 10

REQUIRES

8 x Shelf Rests (H13)



Insert 4 **Shelf Rests** (H13) into **Panel (L)** and 4 **Shelf Rests** (H13) into **Panel (R)** at desired heights. Then set **Panels (A)** onto the **Shelf Rests**.

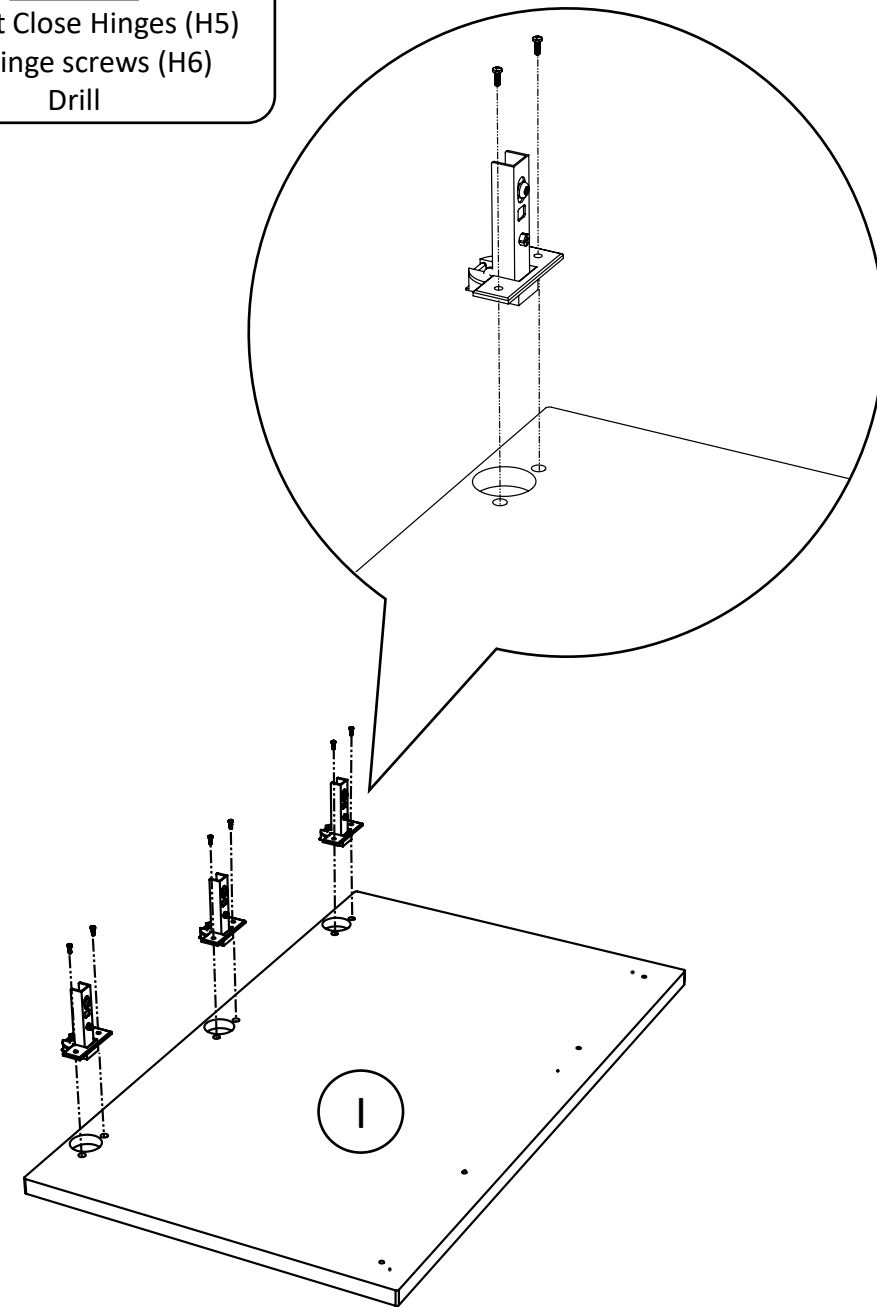
STEP 11

REQUIRES

3 x Soft Close Hinges (H5)

6 x Hinge screws (H6)

Drill



Lay **Door (I)** face down on a flat surface with hinge holes facing up. Insert 3 **Soft Close Hinges** (H5) into **Door (I)** making sure screw holes align. Using the **Drill** and 6 **Hinge Screws** (H6) attach the hinges.

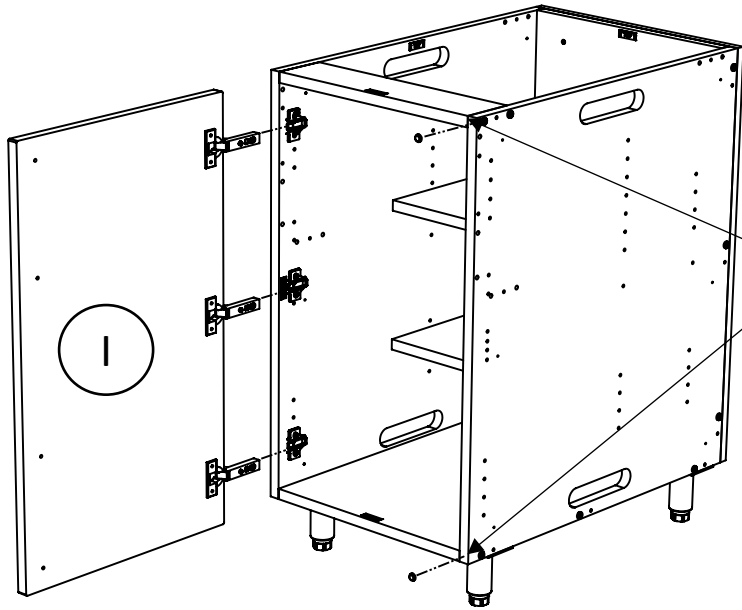
STEP 12

REQUIRES

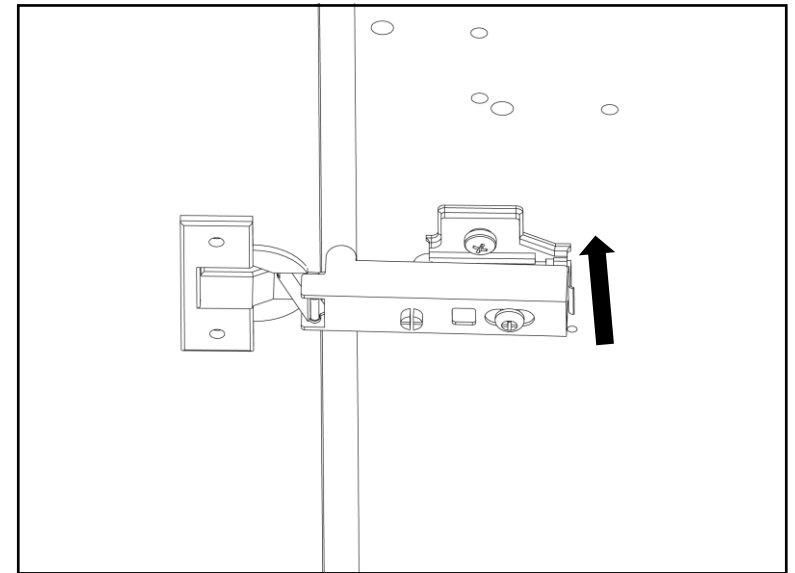
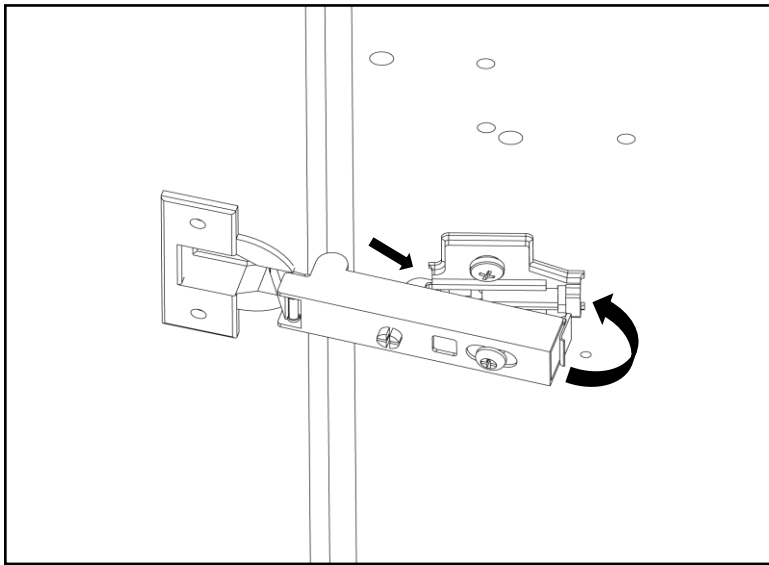
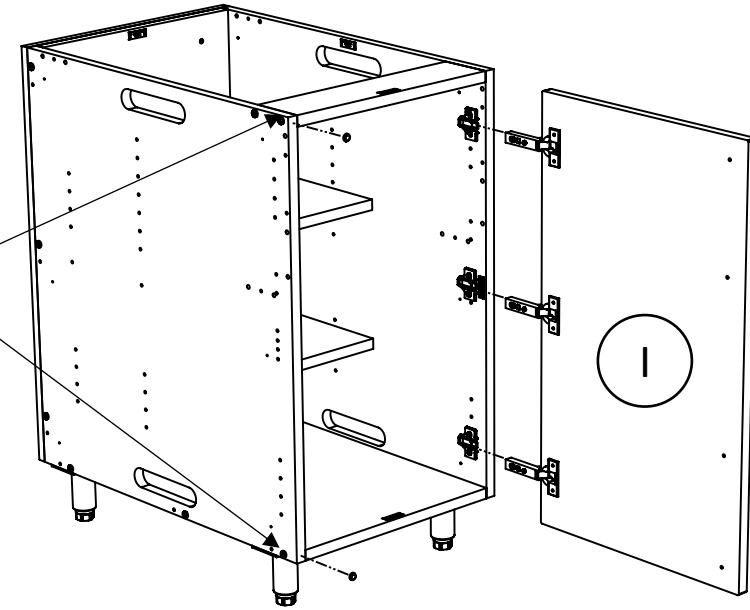
2 x Door Bumpers (H7)

Left Door

Right Door



Depending on which side you hang the door, place bumpers accordingly.



To attach the Door (I) – Locate the small ‘hooks’ on the underside of the **Soft Close Hinge** and hook them under the front of the **Hinge Plate**, then press the back of the **Hinge** towards the Plate until it ‘clicks’ into place. Repeat for the remaining **Hinges**.

STEP 13

REQUIRES

1 x Door Handle Kit (H9)

Wire Cutters

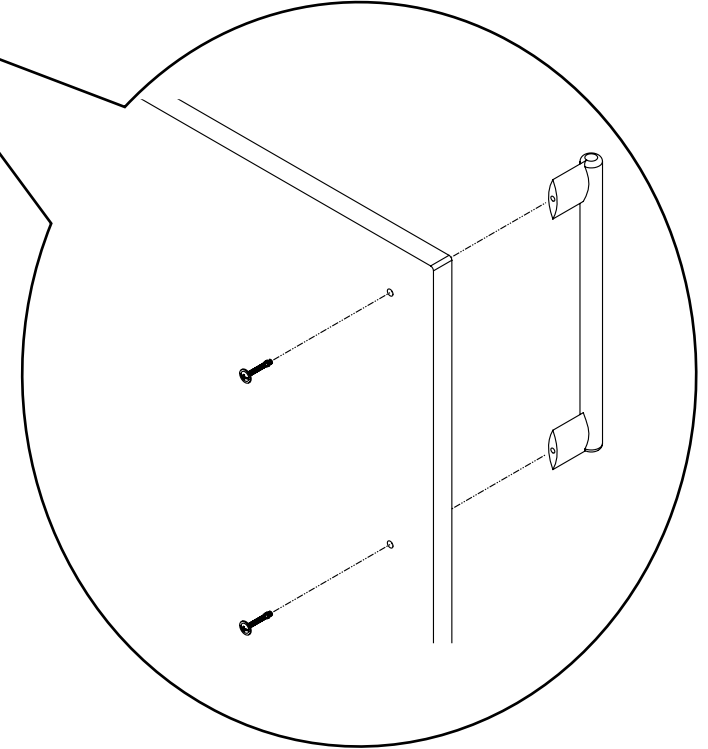
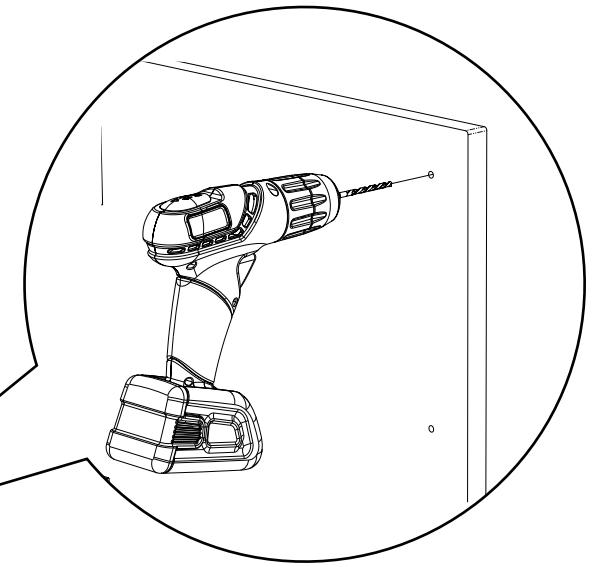
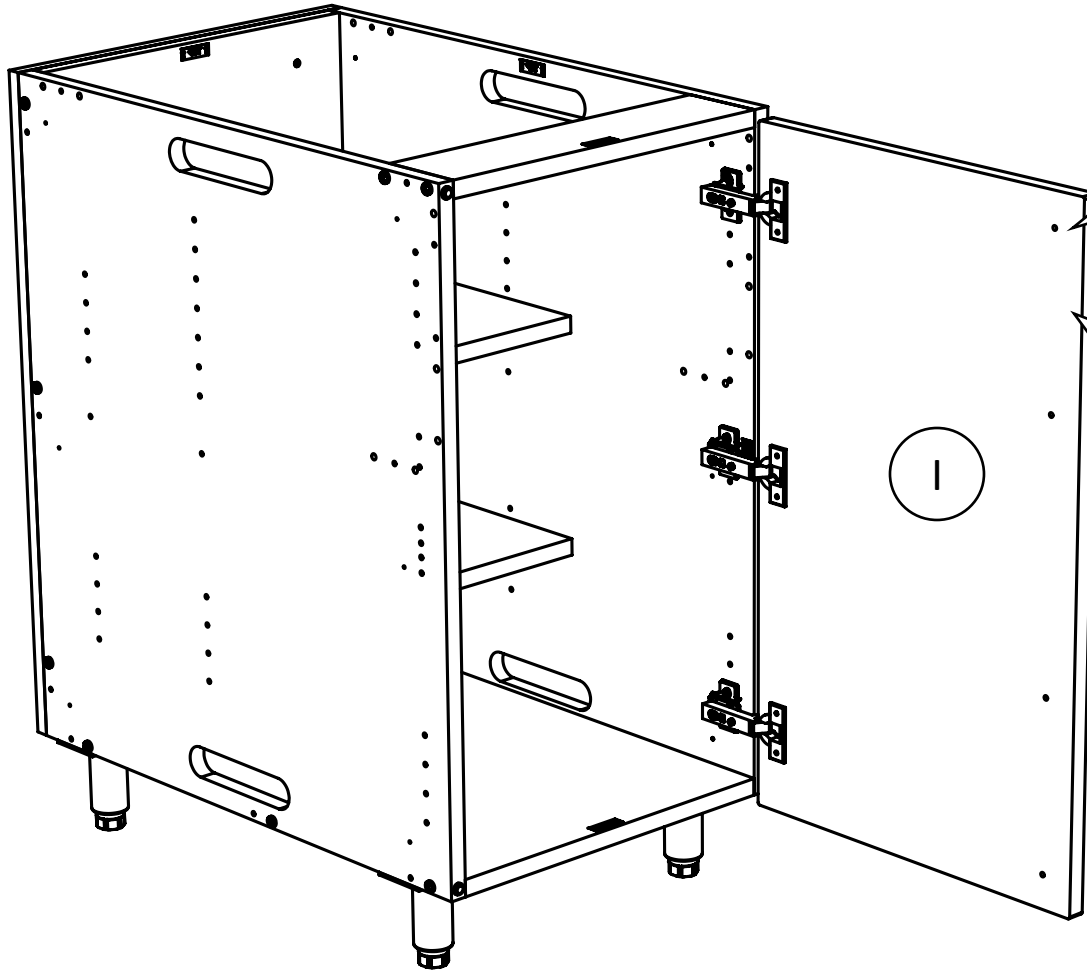


Use **Wire Cutters** or **Pliers** to cut the **Handle Screws** at the **Door Handle** breakpoint

STEP 14

REQUIRES

Door Handle Kit (H9)
Drill



Once door is installed on the correct side of the cabinet, drill through the two upper handle pilot holes with a 9/64" diameter drill bit. Then, attach **Door Handle (H9)** with two handle screws

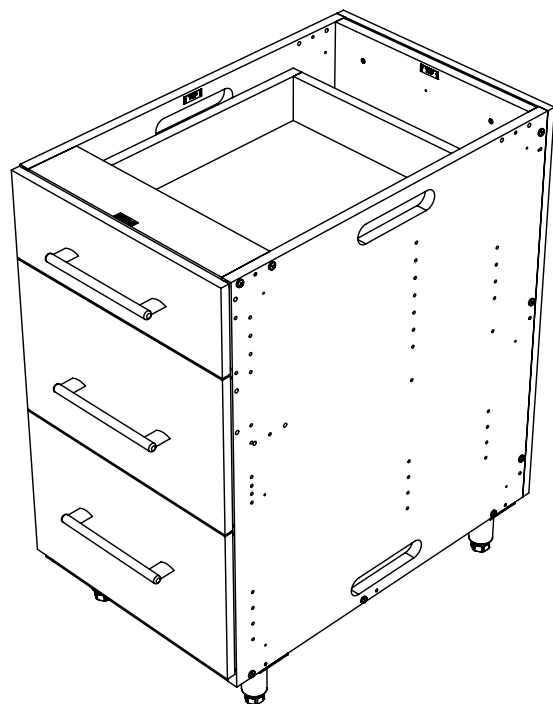
Assembly Instructions – B3D1827

18" wide x 27" deep 3 Drawer Base Cabinet

Requires:	Description:
1 – C1	18" wide Base Cabinet Panel Kit
1 – D4	Drawer Front & Back Panel Pack - HDPE
1 - E1	Cabinet End Panel Pack - 1-Pair
1 – K4	Assembly Hardware & Legs Kit 04
3-P4	Standard 18" Drawer Kit



For assistance visit
Weatherstrong.com
 888-845-0004



Before you start assembly, inspect all panels and hardware to ensure nothing is damaged and that you have everything required.

We recommend laying the components on provided packaging to protect the finish when assembling.

Required Tools

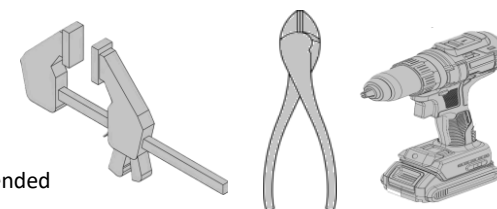
Electric Drill with Phillips and Square bit

Wire Cutters

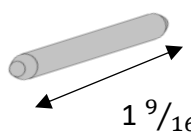
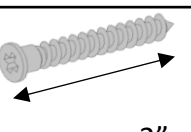
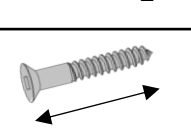
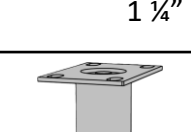
Tape Measure

2x C-Clamp

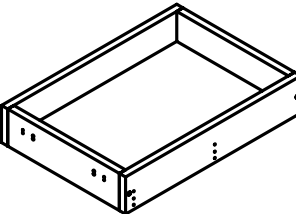
CAUTION : Safety glasses and gloves recommended



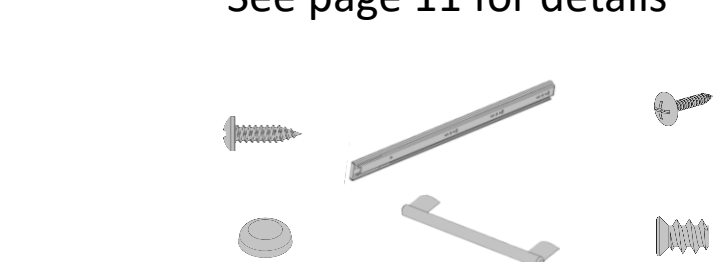
Hardware Kit K4

Picture	Qty	Item	Item ID
 1 9/16"	14	Locator Dowel	(H1)
 2"	16	Assembly Screw	(H2)
 1 1/4"	20	Attachment Screw	(H3)
	2	Cabinet Leg 2 PK	(H10)

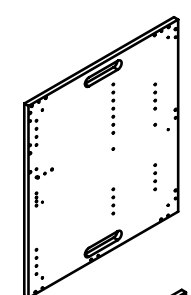
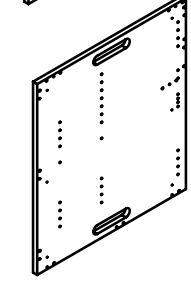
Cabinet Kit PACK P4 (Hardware Included)

 1 Drawer Box

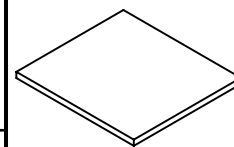

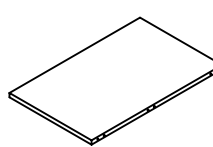
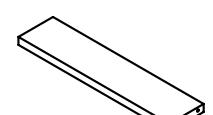
Hardware
See page 11 for details



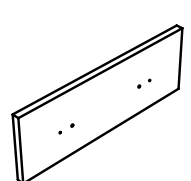
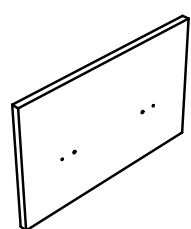
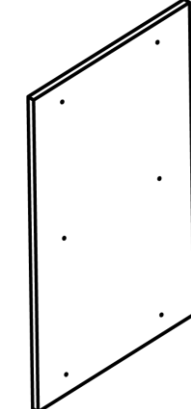
Cabinet Kit Pack E1

Picture	Qty	Item	Item ID
	1	End Panel Left	(L)
	1	End Panel Right	(R)

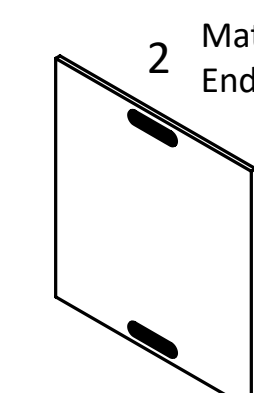
Cabinet Kit PACK C1

	2	Adjustable Shelf (Not used)	(A)
	1	Back Panel	(B)
	1	Fixed Shelf	(F)
	1	Top Rail	(C)

Finish Kit Pack D4

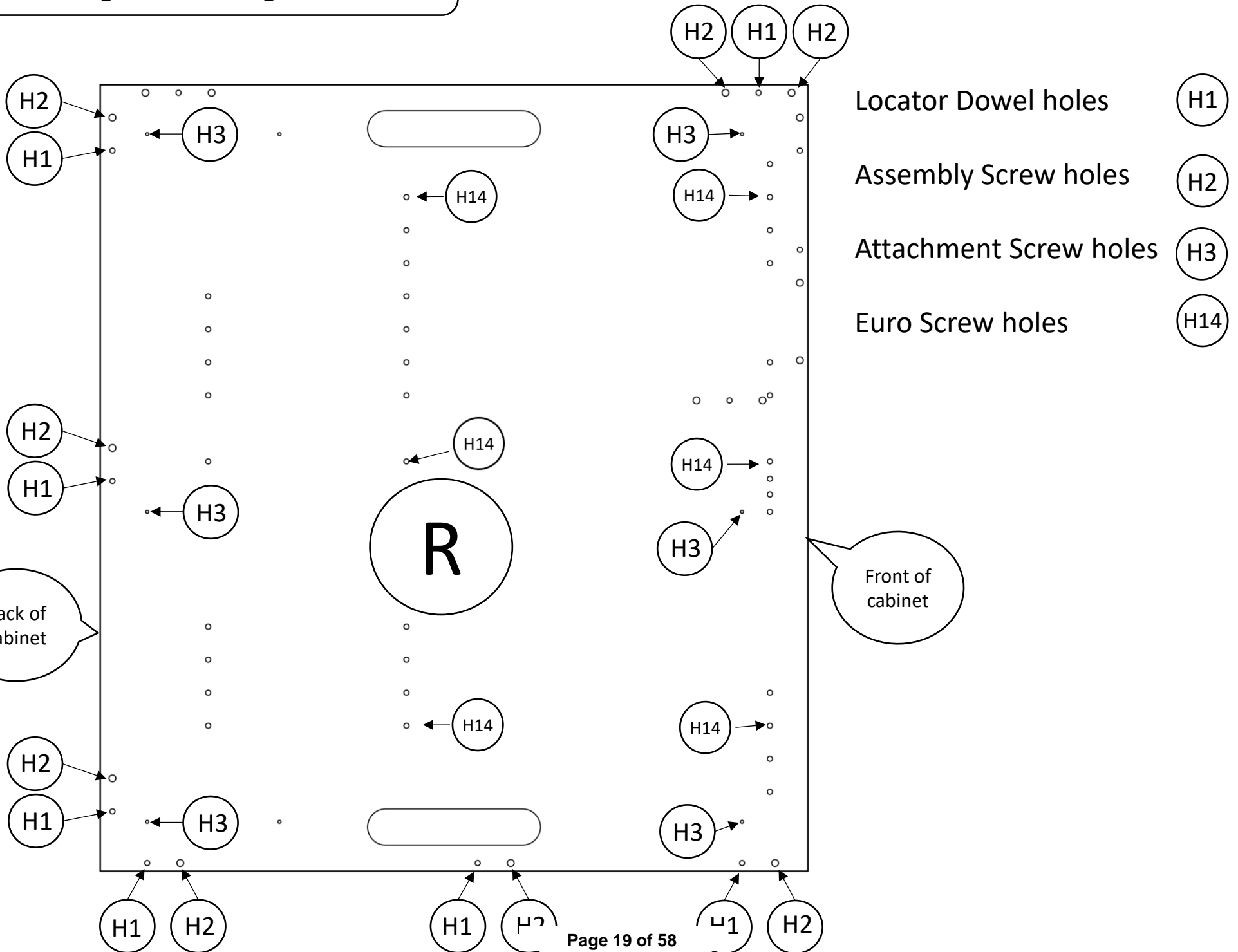
Picture	Qty	Item	Item ID
	1	Top Drawer Front	(A)
	2	Middle & Bottom Drawer Front	(B)
	1	Matching Back Panel	(C)

PACK B1 – (Optional)

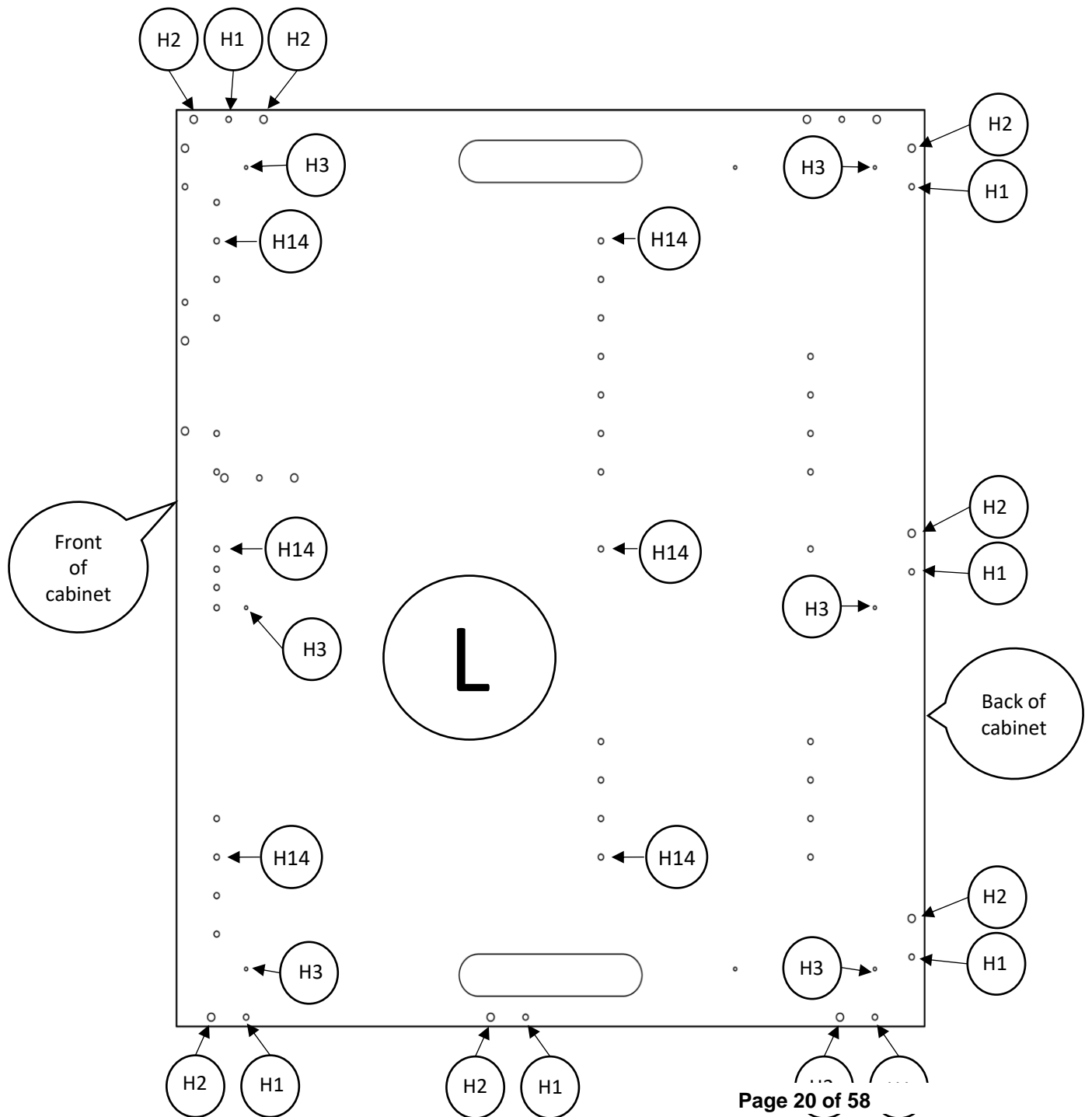
	2	Matching End Panel	(P)
---	---	--------------------	-----

Hole Assignments: Pack E1

Hole Assignments – Right End Panel



Hole Assignments: Pack E1
 Hole Assignments – Left End Panel

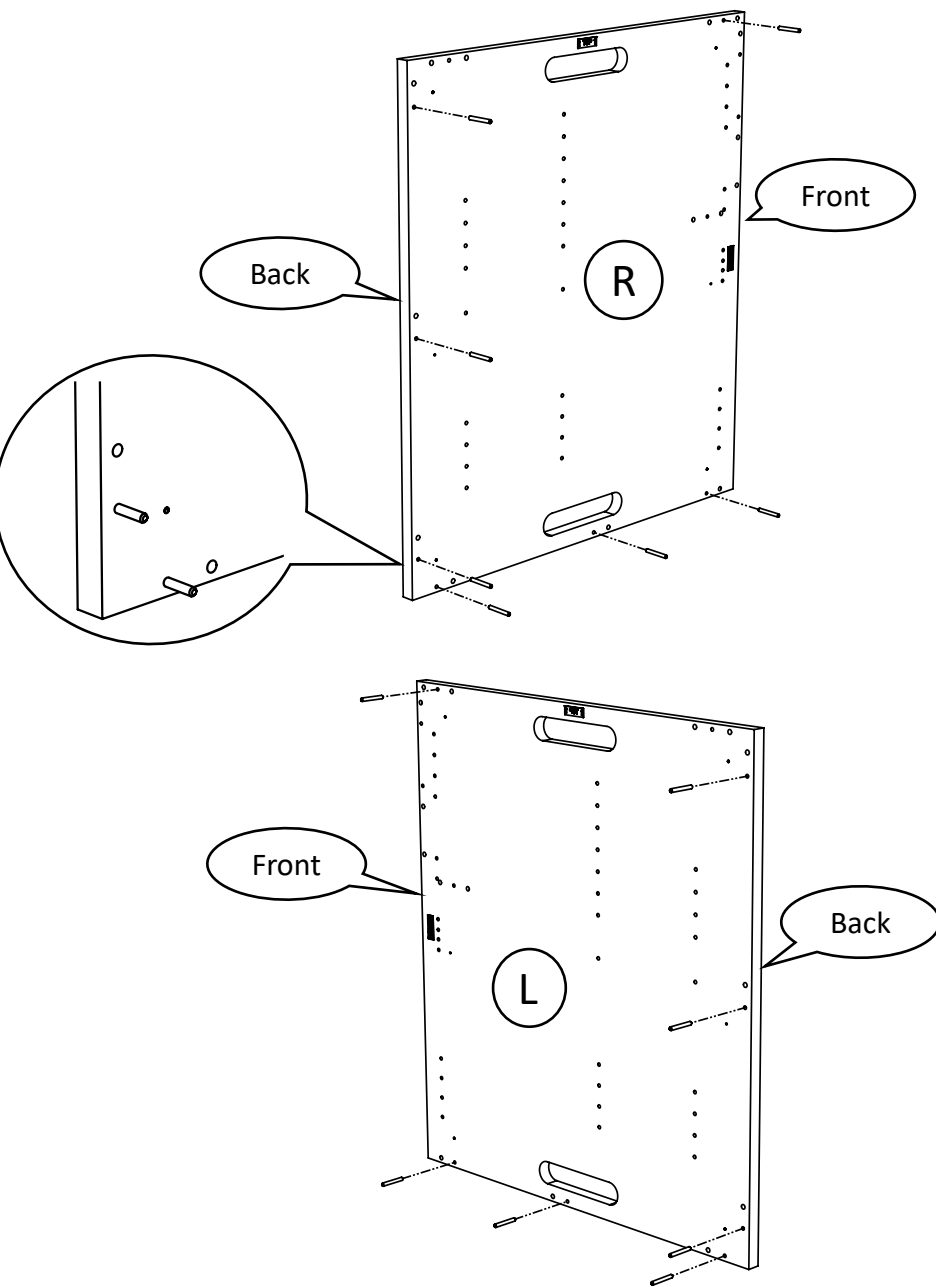


- Locator Dowel holes (H1)
- Assembly Screw holes (H2)
- Attachment Screw holes (H3)
- Euro Screw holes (H14)

STEP 1

REQUIRES

14 x Dowels (H1)

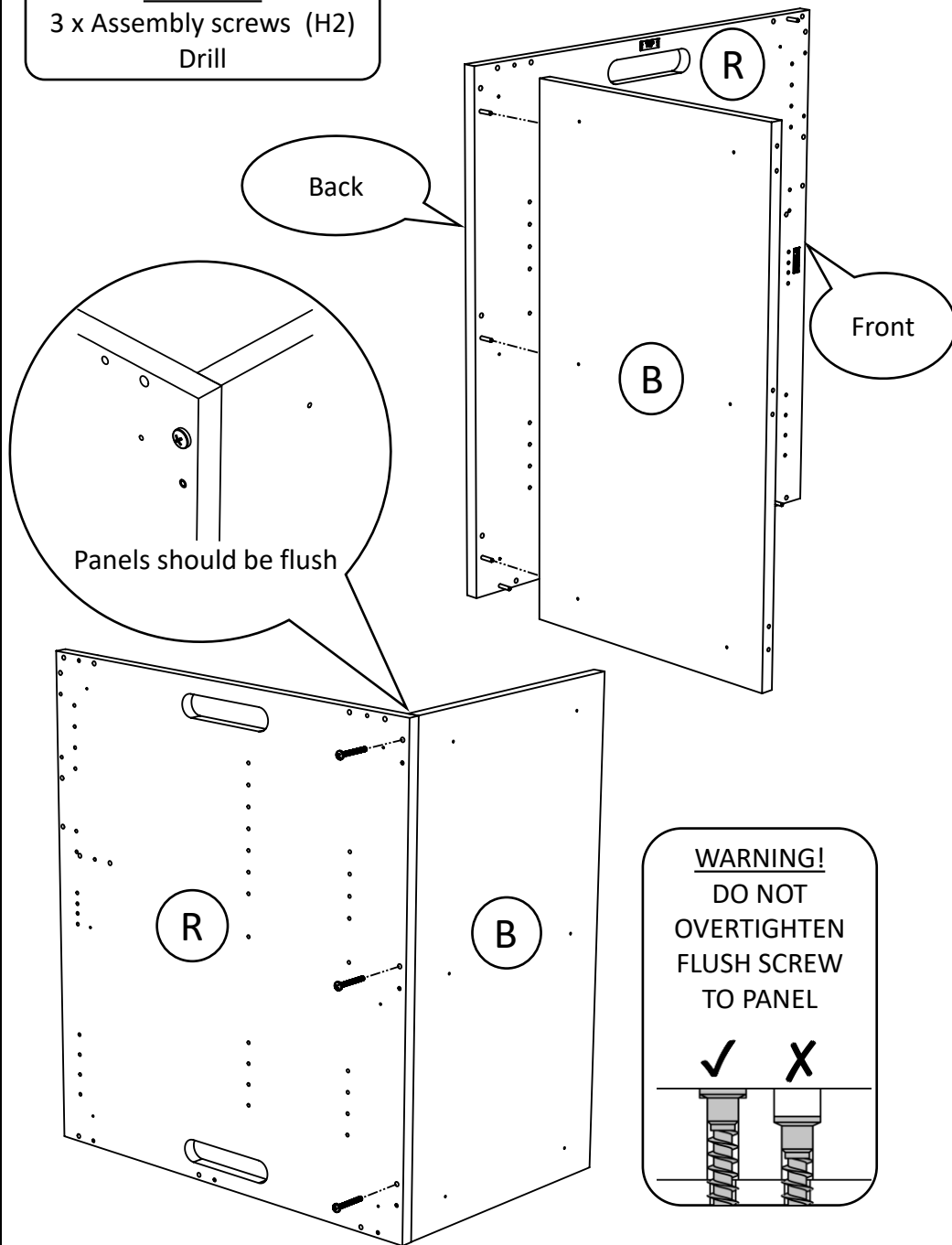


Lay **Panel (R)** and **(L)** on a flat surface and insert **Locator Dowel (H1)** in the correct locator dowel holes. Reference pages 3 and 4.

STEP 2

REQUIRES

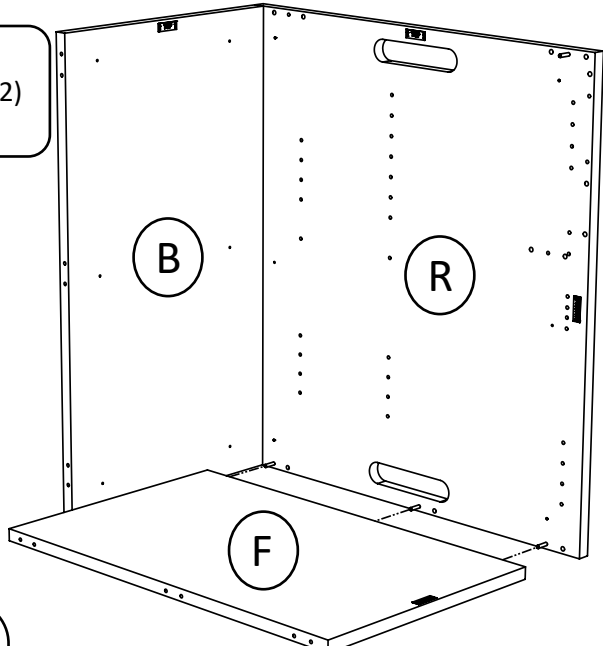
3 x Assembly screws (H2)
Drill



Insert the 3 **Locator Dowels** along the back edge of **Panel (R)** into the locator dowel holes on the side of **Panel (B)**. Using the drill and 3 **Assembly screws (H2)** screw **Panel (R)** to **Panel (B)**. If **Panel (B)** is not flush or inset with the edge of **Panel (R)** rotate **Panel (B)** 180 degrees.

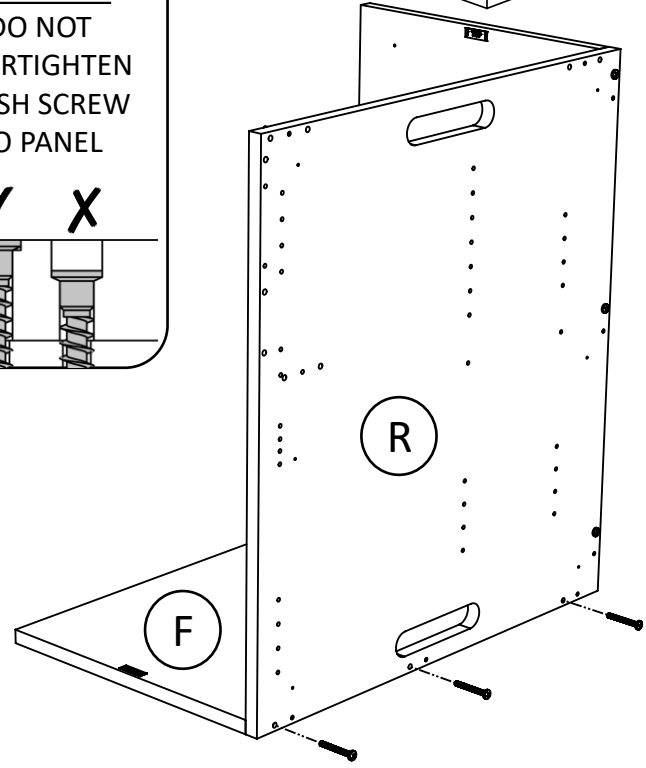
STEP 3

REQUIRES
 3 x Assembly screw (H2)
 Drill



WARNING!
 DO NOT
 OVERTIGHTEN
 FLUSH SCREW
 TO PANEL

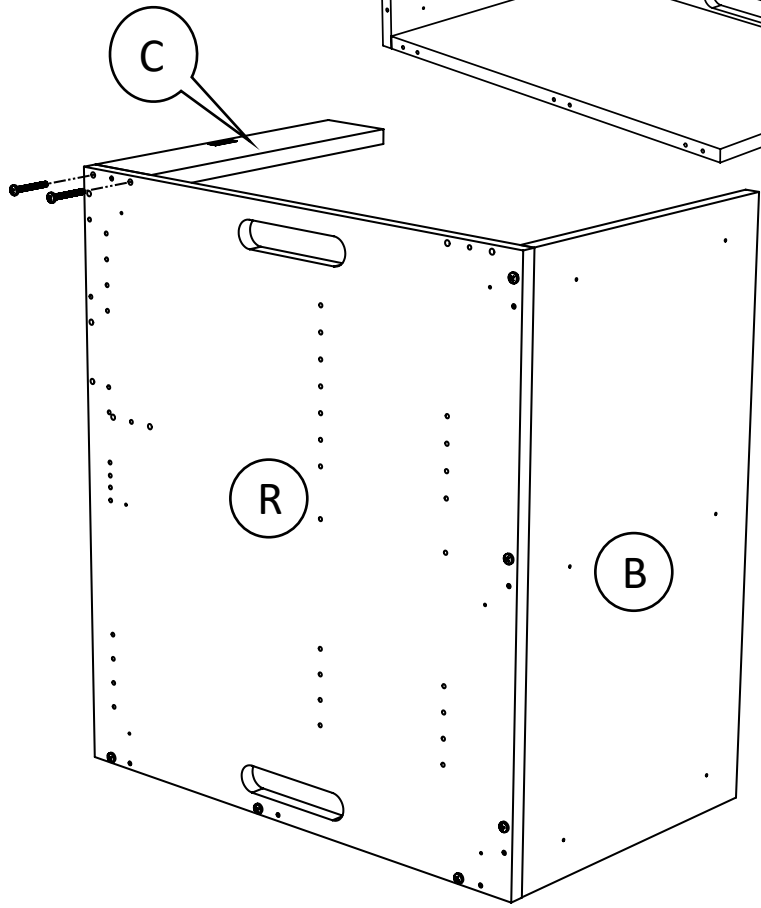
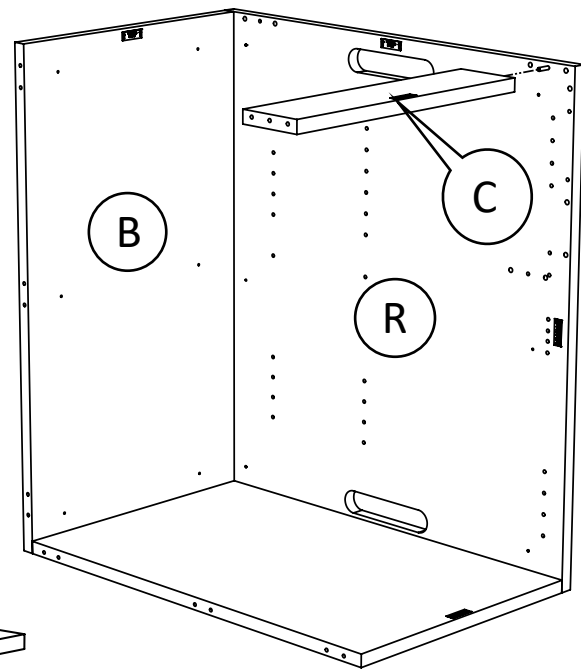
✓ X



Insert the 3 **Locator Dowels** on the bottom of **Panel (R)** into the locator dowel holes on the side of **Panel (F)**. Using the drill and 3 **Assembly screws (H2)** screw **Panel (R)** to **Panel (F)**.

STEP 4

REQUIRES
 2 x Assembly screws (H2)
 Drill



Insert the **Locator Dowel (H1)** on the top right of **Panel (R)** into the dowel hole on **Panel (C)**. Using the drill and 2 **Assembly screws (H2)** screw **Panel (R)** to **Panel (C)**.

STEP 5

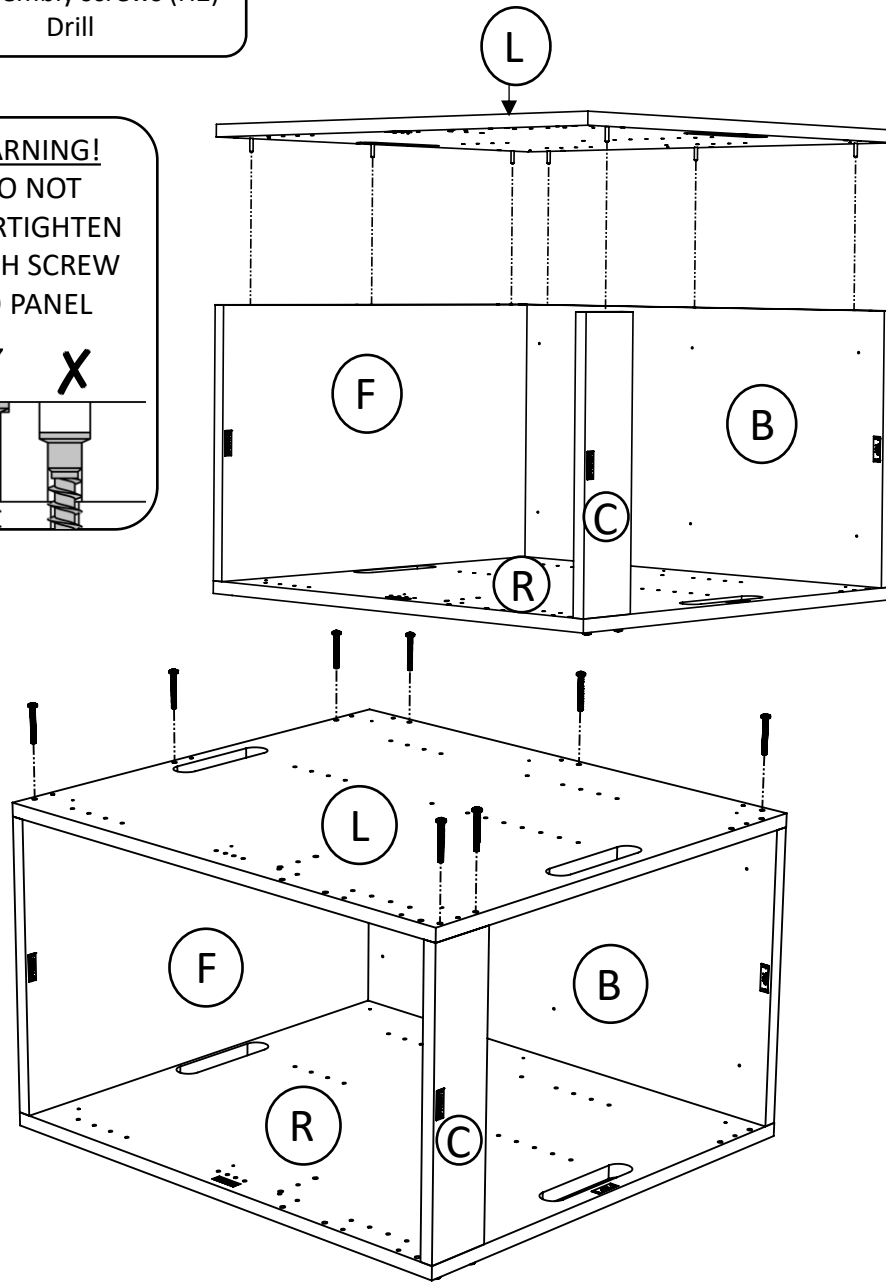
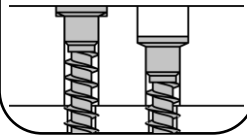
REQUIRES

8 x Assembly screws (H2)
Drill

WARNING!

DO NOT
OVERTIGHTEN
FLUSH SCREW
TO PANEL

✓ X

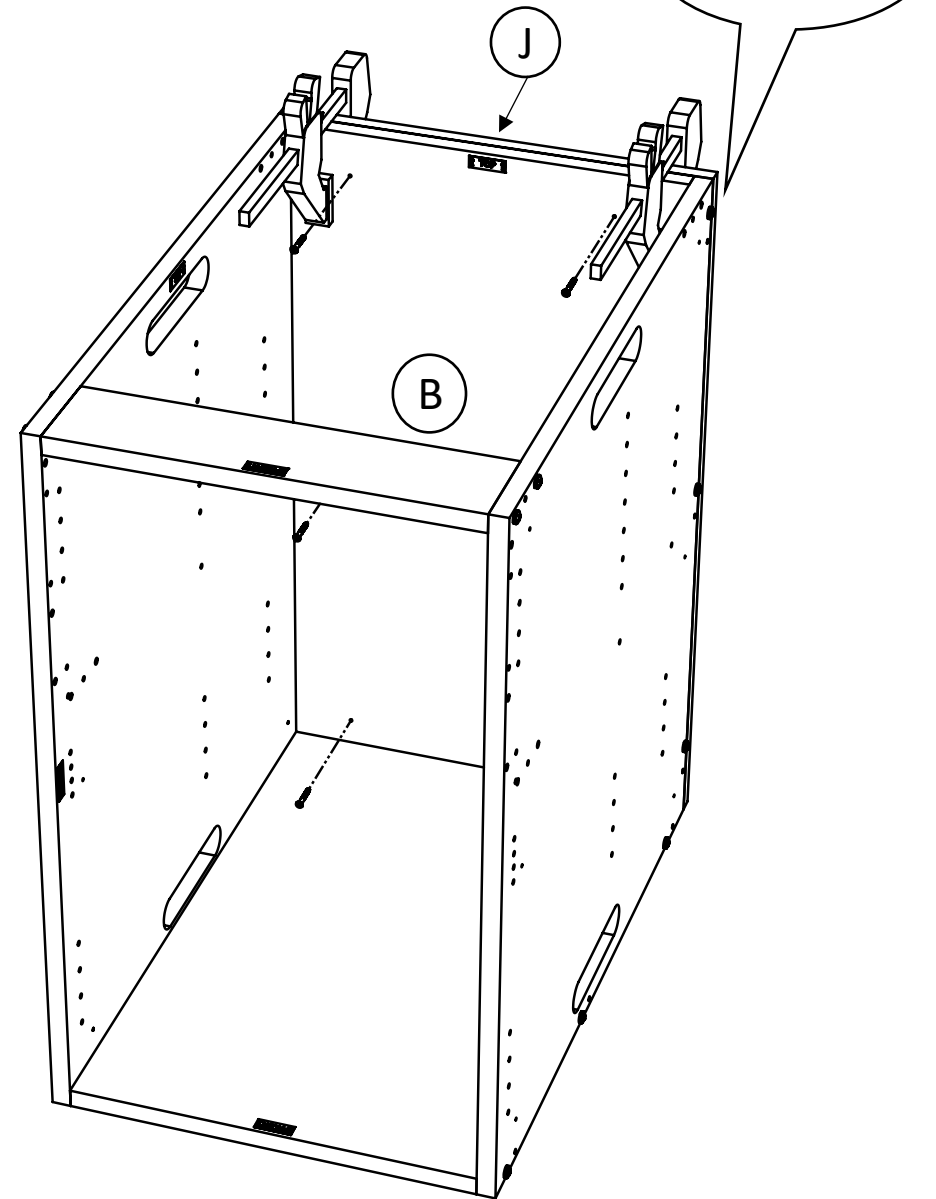


Insert the Locator Dowels on **Panel (L)** into the locator dowel holes on the sides of **Panels (F), (C), and (B)**. Using the drill and 8 **Assembly Screws (H2)** screw **Panel (L)** to **Panels (F), (C), and (B)**.

STEP 6

REQUIRES

6 x Attachment Screws (H3)
Drill



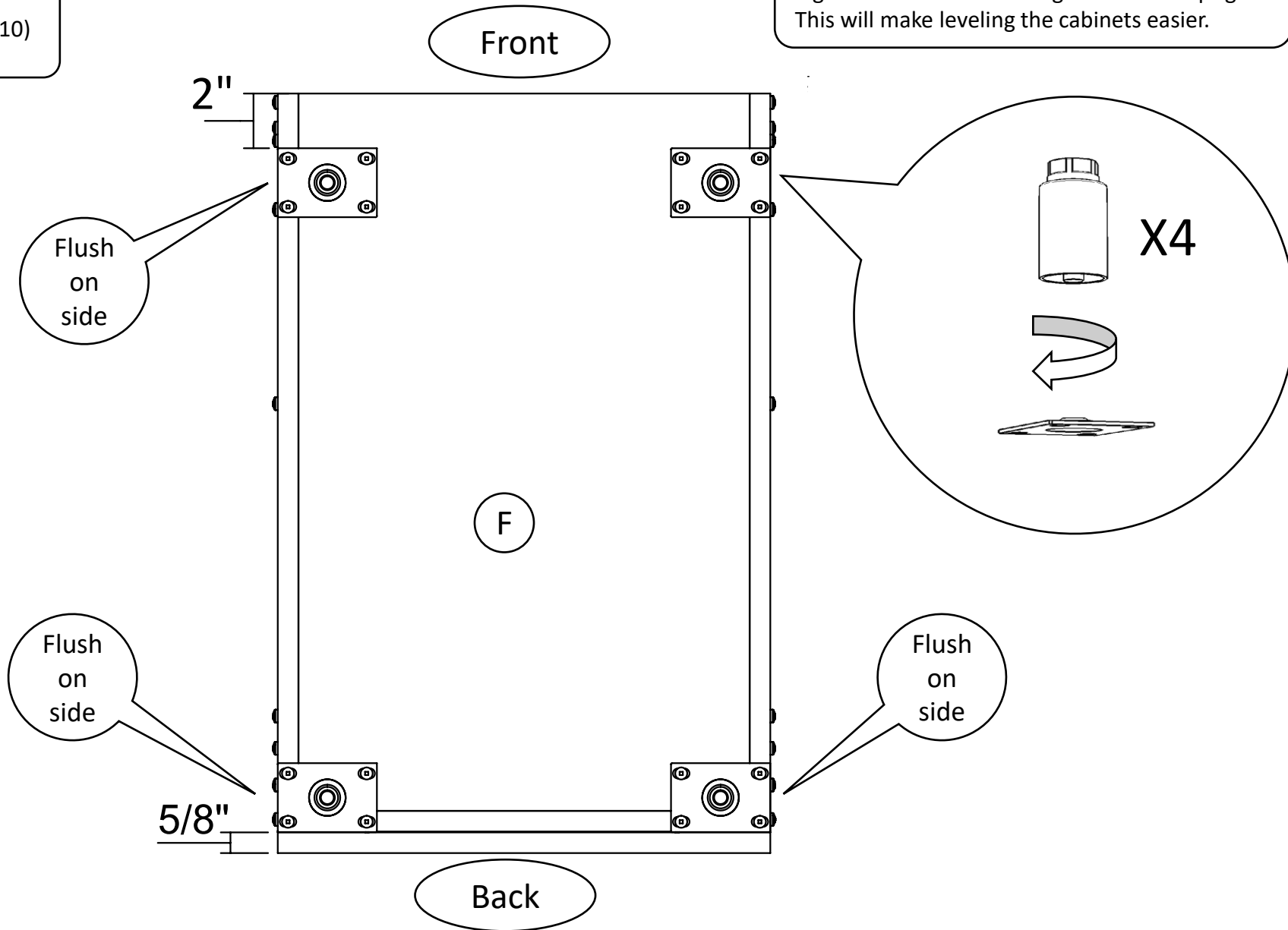
Align **Panel (J)** with the back of the cabinet, ensure sides of **Panel (J)** are flush with sides of the cabinet. Using the Drill and 6 **Attachment Screws (H3)** attach **Panel (B)** to **Panel (J)**.

STEP 7

REQUIRES

2 x Cabinet Leg packs (H10)
Drill

Pro Tip: Make sure the adjustable end of each leg is loose before standing the cabinet upright. This will make leveling the cabinets easier.



Cabinet Leg Pack (H10) consists of 2 cabinet legs, 2 cabinet leg plates and 8 screws. Screw front cabinet leg plates onto the cabinet 2 inches from the front, and flush to the sides. Screw back cabinet leg plates onto the cabinet 5/8 of an inch from the back and flush to the sides. Now, screw on the 4 adjustable legs.

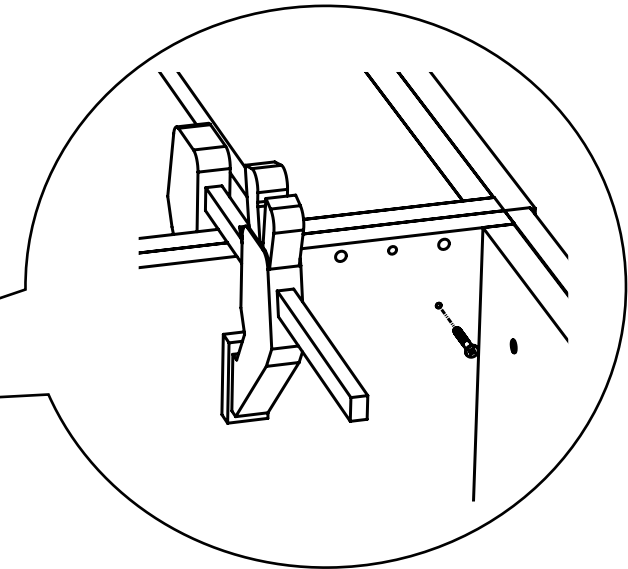
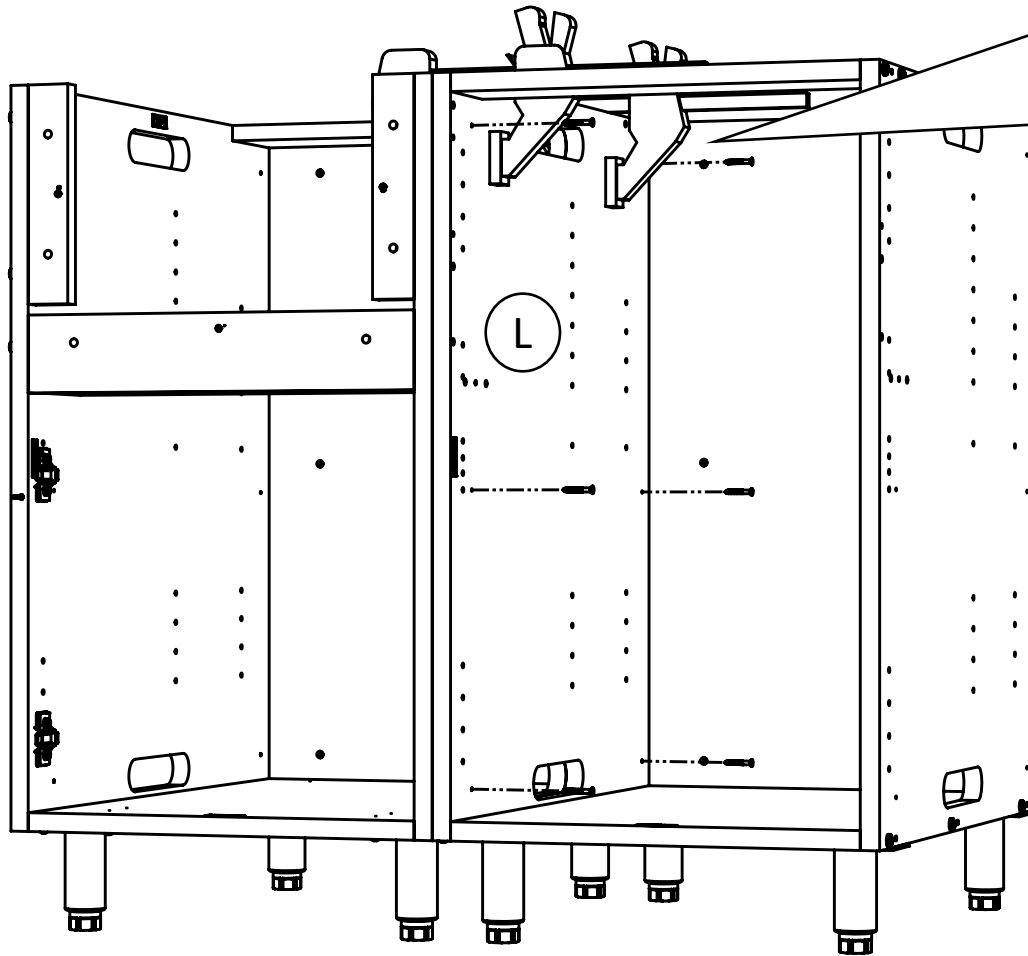
STEP 8 (Depends on location of cabinet)

REQUIRES

6 x Attachment Screws (H3)

Drill

Option A: Joining Cabinets Together



Option A: Screwing Cabinets Together – align the **Attachment Screw** holes in each cabinet and using the Drill and 6 **Attachment Screws** (H3) screw the cabinets together. C-clamps are recommended to secure the **Panels** together while attaching.

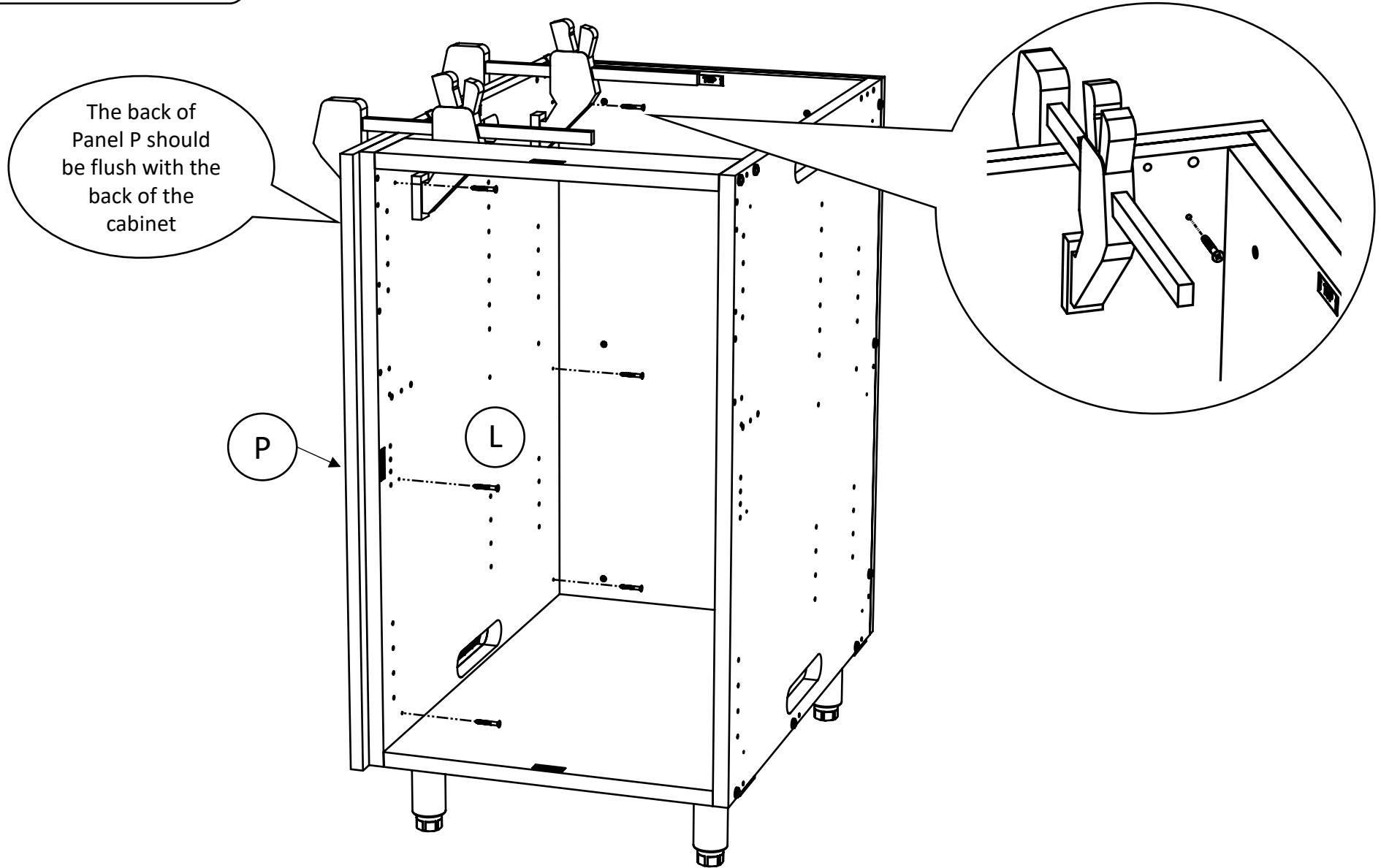
STEP 9 (Depends on location of cabinet)

REQUIRES

6 x Attachment Screws (H3)

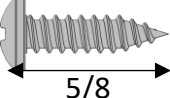

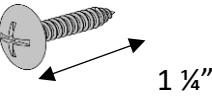


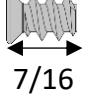
Drill

Option B: Applying A Finished End



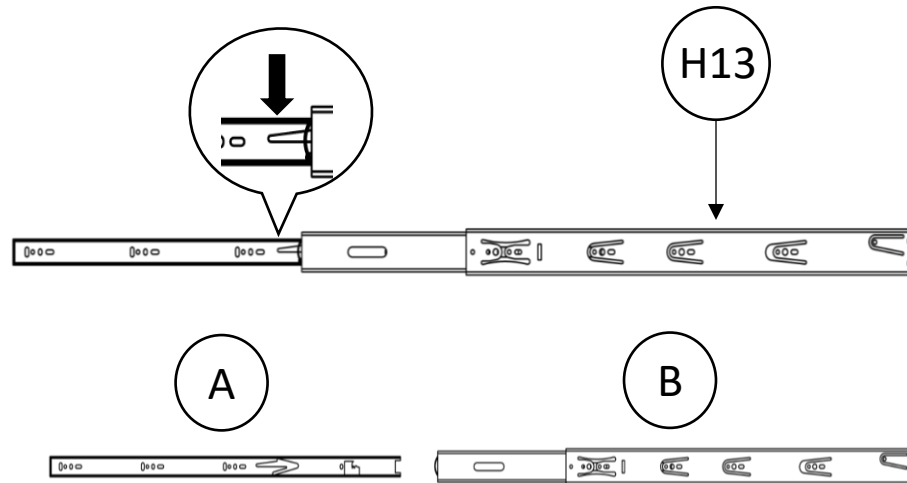
Option B: Applying Finished End – align **Panel (P)** to **Panel (L)** or **Panel (R)**, ensure **Panel (P)** is flush to the back of **Panel (J)**. Using the **Drill** and 6 **Attachment Screws (H3)** screw **Panel (L)** or **(R)** to **Panel (P)**. You may wish to use a C-clamp to secure panels in place while attaching. The back edge of **Finished End (P)** should be flush with Panel (J). The front edge will protrude in front of the cabinet until the doors are installed.

Hardware that comes with Cabinet Kit Pack P4

Picture	Qty	Item	Item ID
	4	Drawer Installation Screw	H11
	2	Drawer Runner	H13
	2	Drawer Front Screw	H8
	4	Door Bumper	H7
	1	Door Handle Kit	H9
	4	Euro Screw	H14

STEP 10

REQUIRES
2 x Drawer Runner (H13)

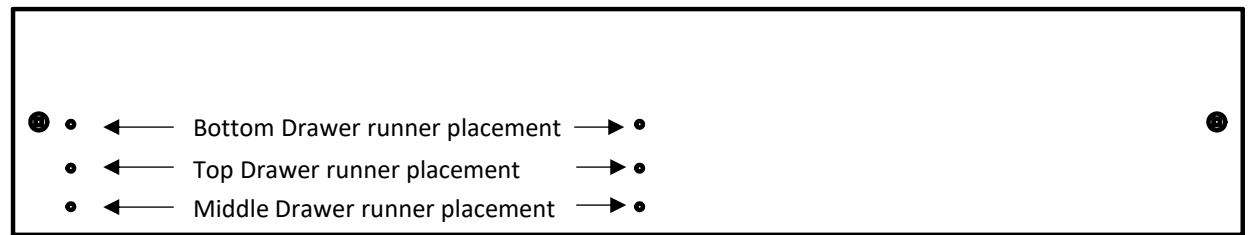
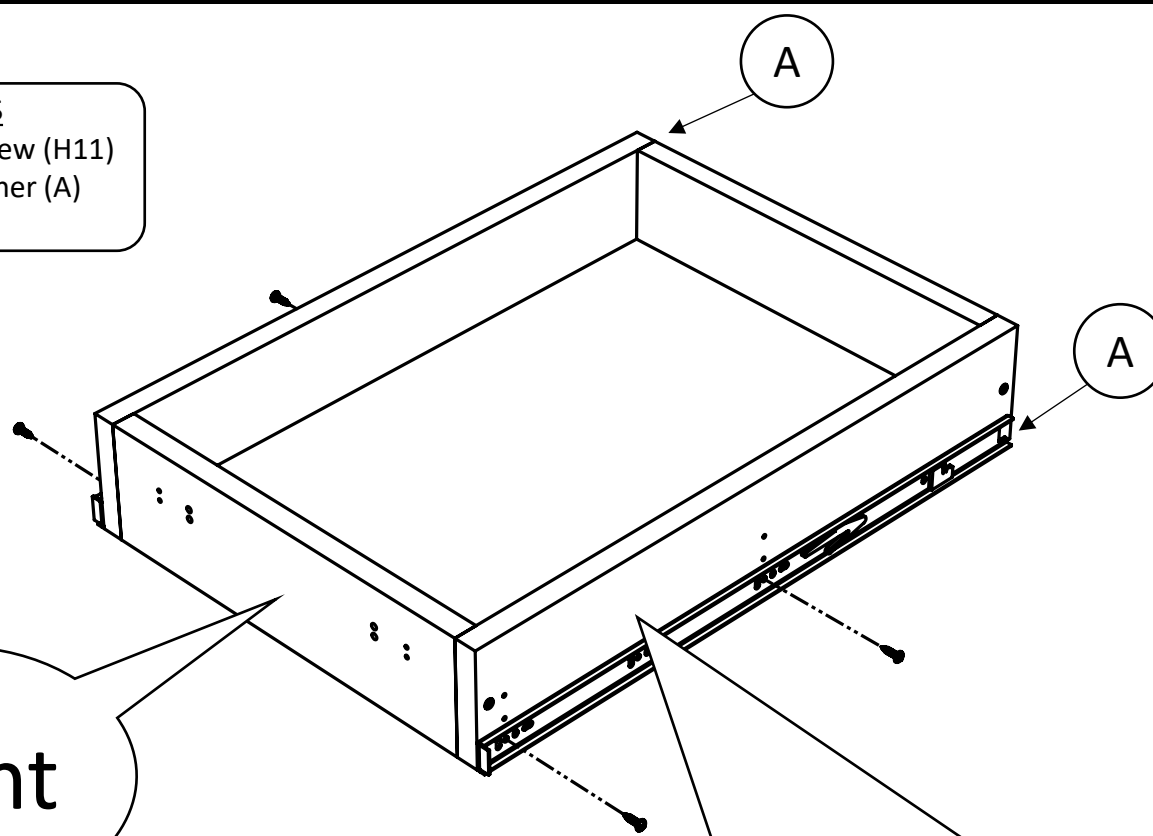


Remove **Drawer Runners** from packaging and extend the runners. While pressing down on the white tab pull **Smaller Runner Member (A)** apart from **Larger Runner Member (B)**.

STEP 11

REQUIRES

- 4 x Installation Screw (H11)
- 2 x Drawer Runner (A)
- Drill



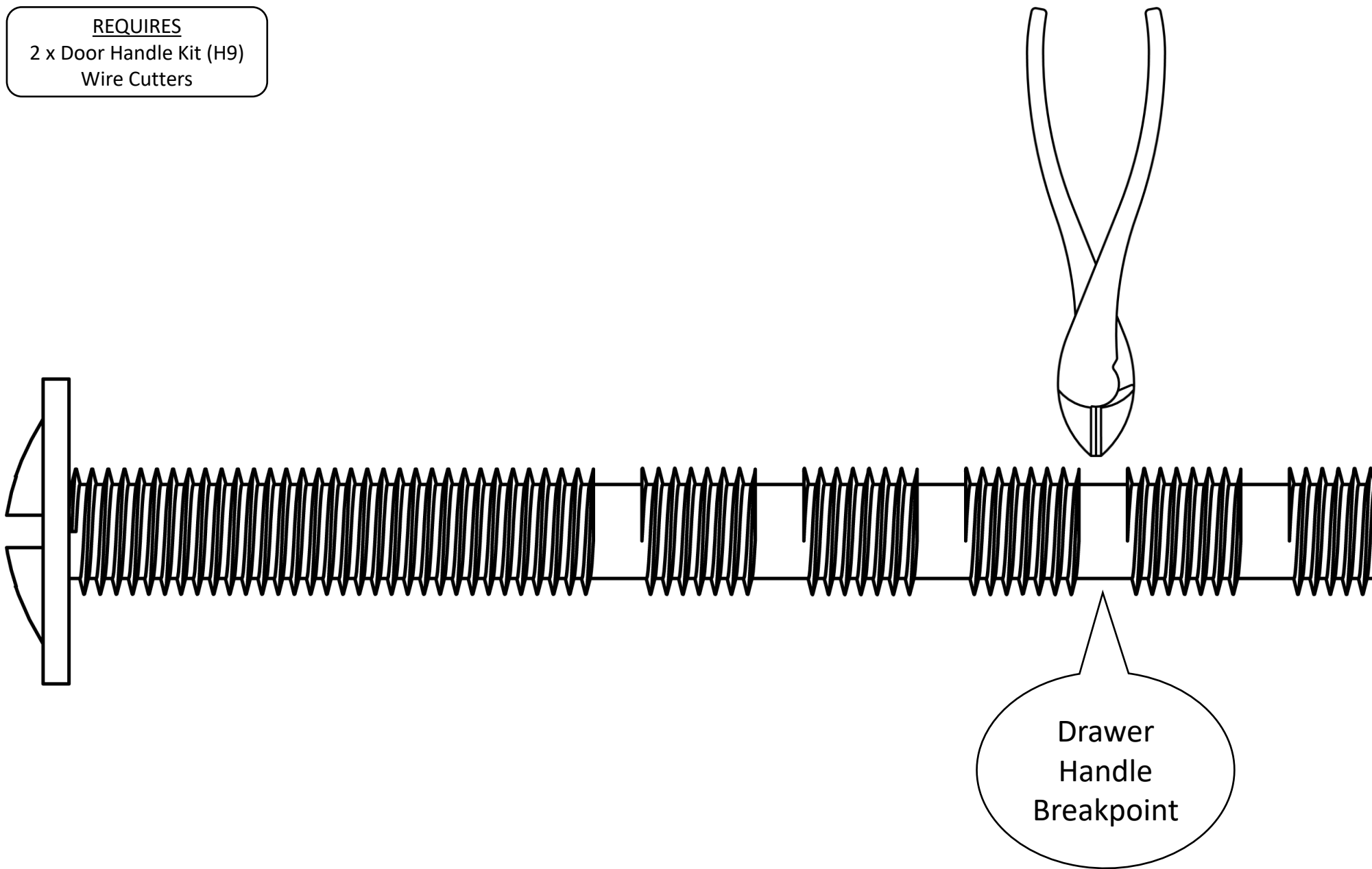
Attach the **Smaller Runner Members (A)** to **Drawer Box** with (4) **Installation Screws (H11)**. The tabs should be flush with the front of the box. Depending on the placement of the drawer box follow the guideline above for runner placement.

STEP 12

REQUIRES

2 x Door Handle Kit (H9)

Wire Cutters

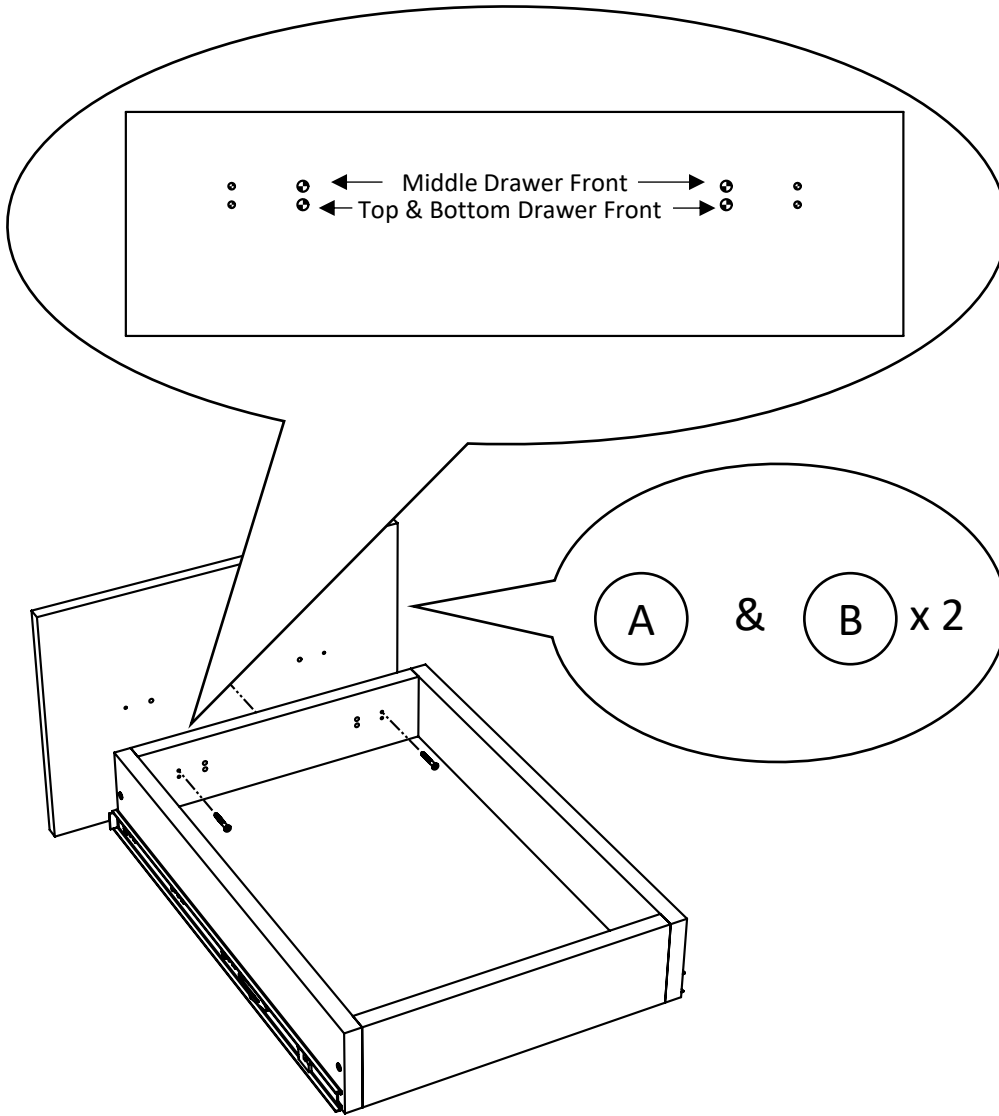


Use **Wire Cutters** or **Pliers** to cut the **Handle Screws** at the **Door Handle** break point

STEP 13

REQUIRES

2 x Drawer Front Screw (H8)
Drill

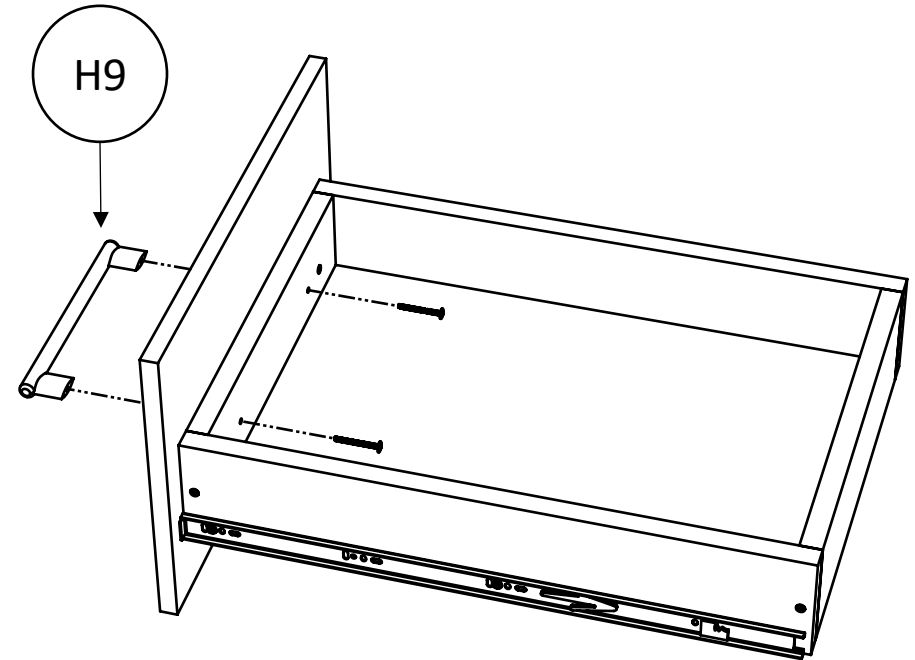


Using the drill and 2 Drawer Front Screw (H8) screw the drawer box to the Drawer Front. Follow the above hole pattern for the appropriate Drawer front.

STEP 14

REQUIRES

1 x Door Handle Kit (H9)

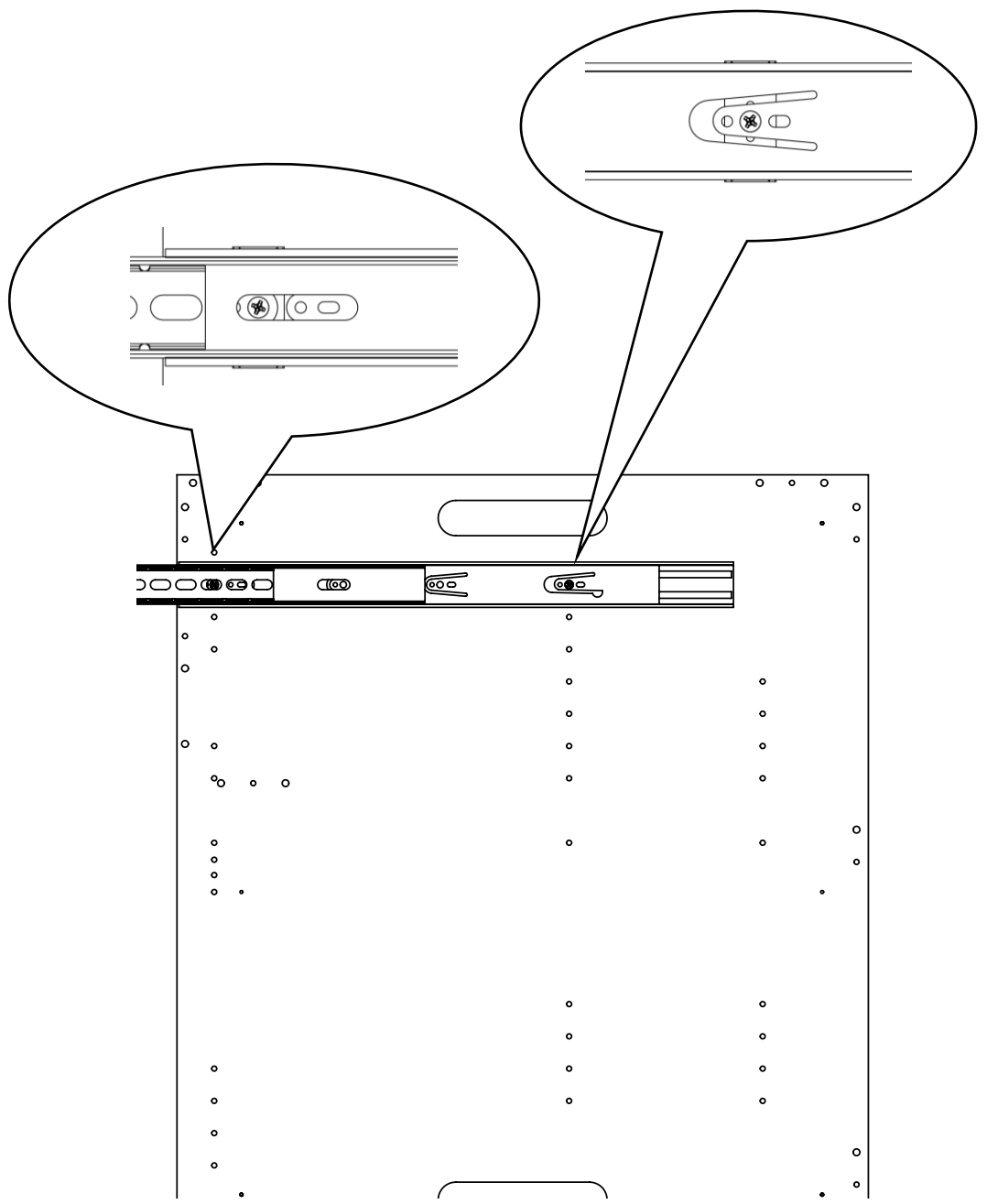
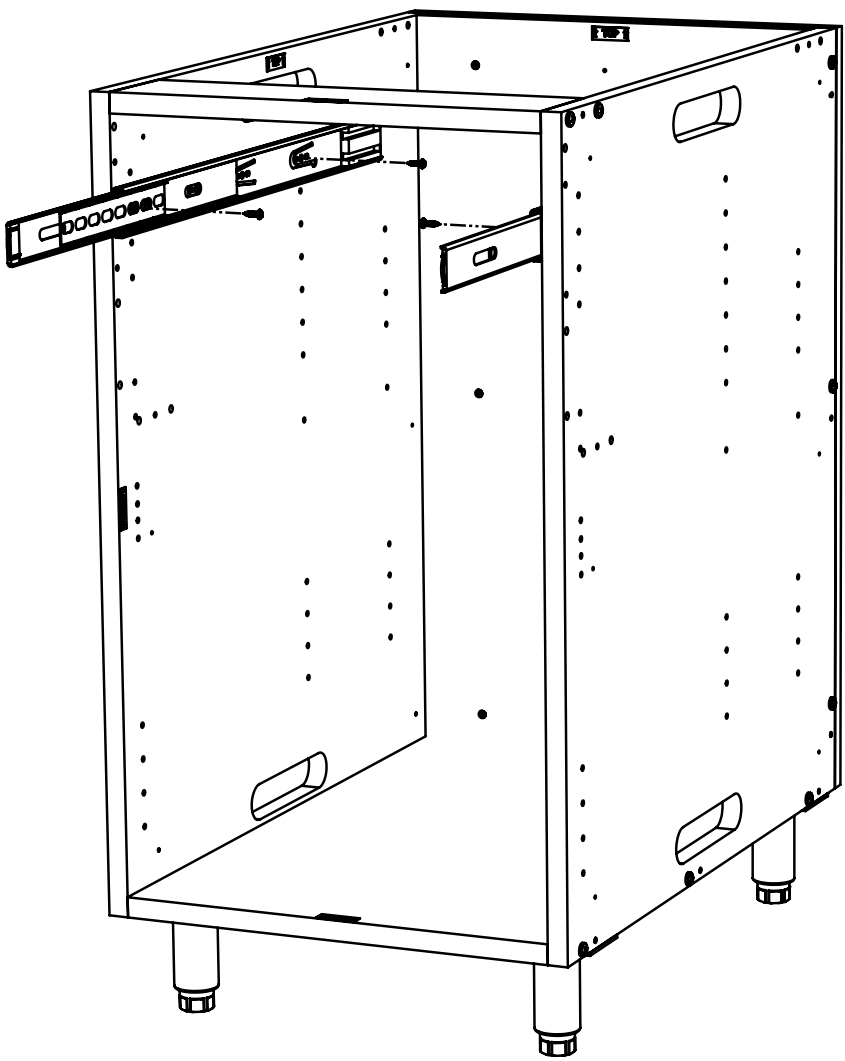


Use the screws that come with the Door Handle Kit (H9) to put the handle on.

STEP 15

REQUIRES

- 4 x Euro Screws (H14)
- 2 x Larger Runner Member (B)
- Drill

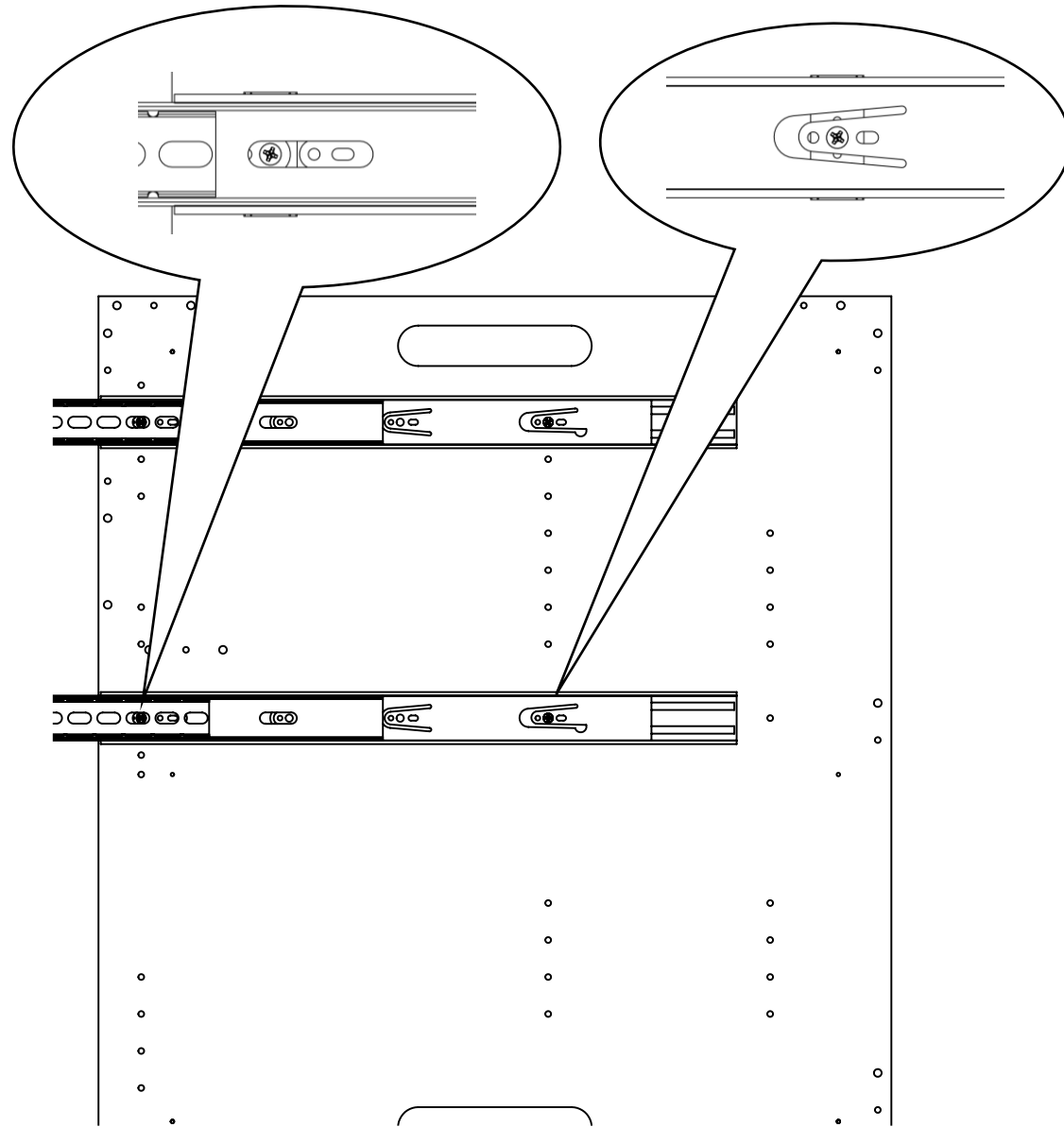
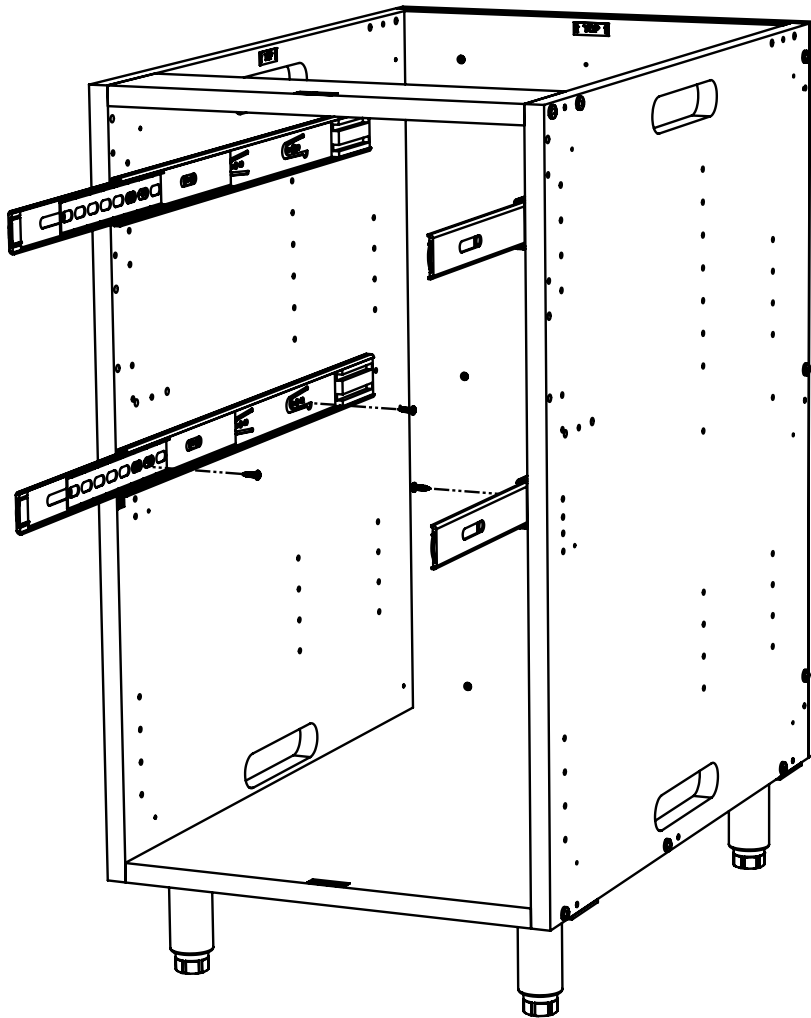


Using the drill and 4 Euro Screws (H14) to install two **Large Runner Members (B)**. You can reference page 3 and 4 for hole location.

STEP 16

REQUIRES

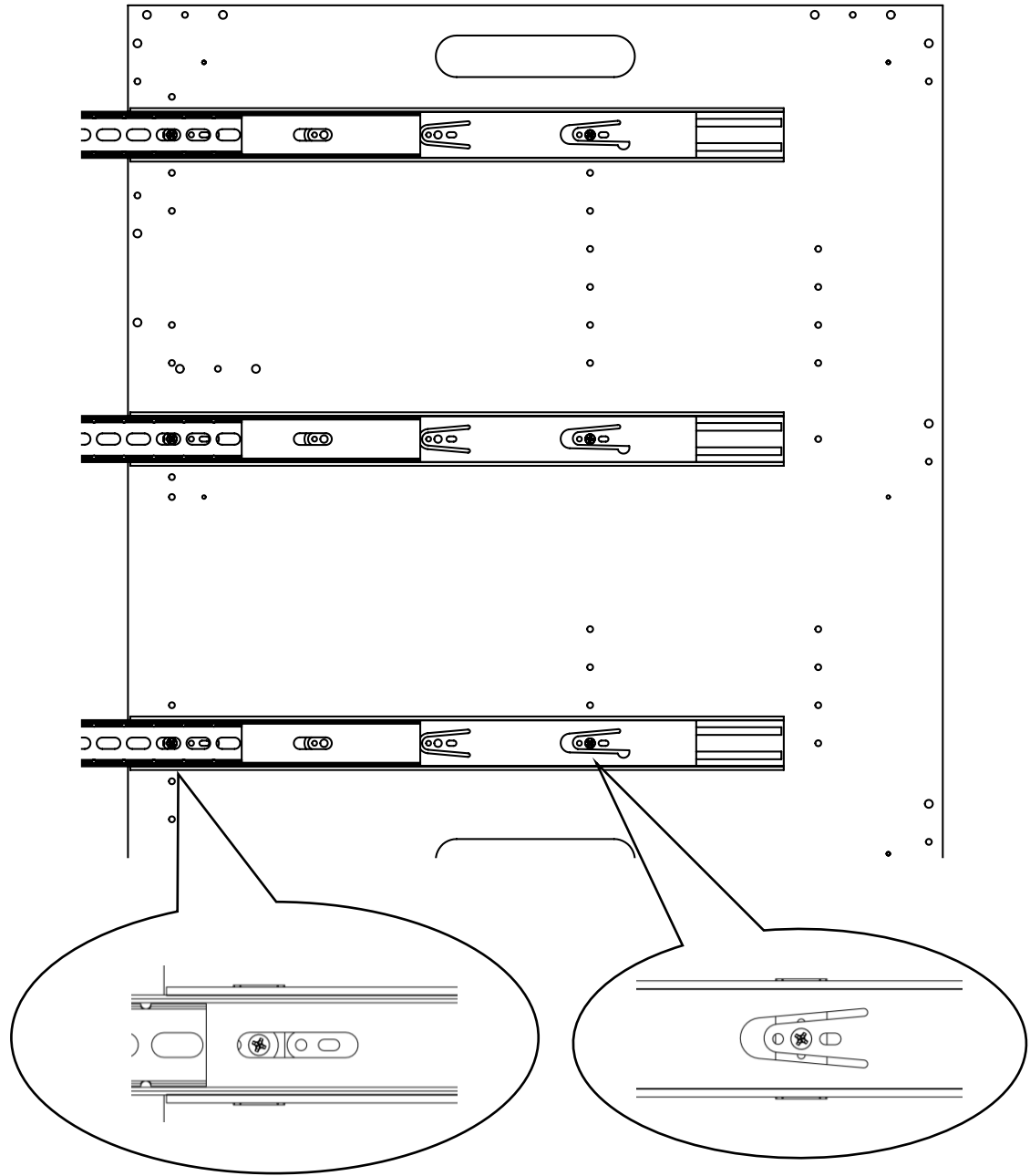
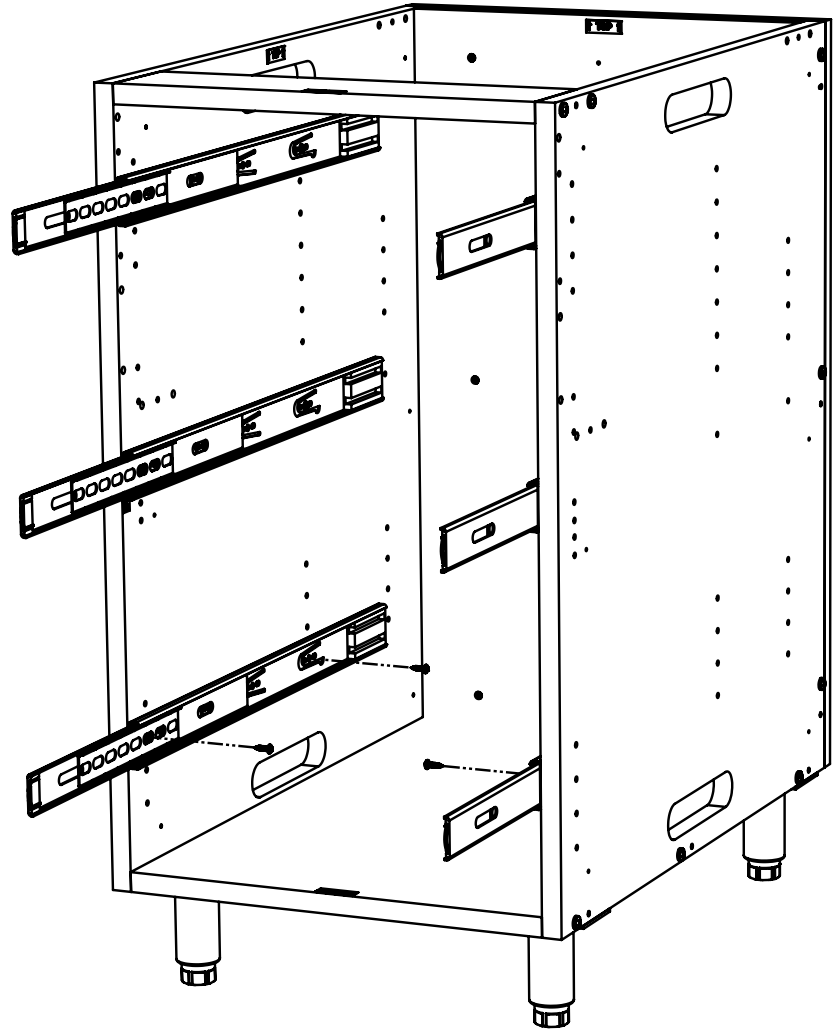
- 4 x Euro Screws (H14)
- 2 x Larger Runner Member (B)
- Drill



Using the drill and 4 Euro Screws (H14) to install two **Large Runner Members (B)**. You can reference page 3 and 4 for hole location.

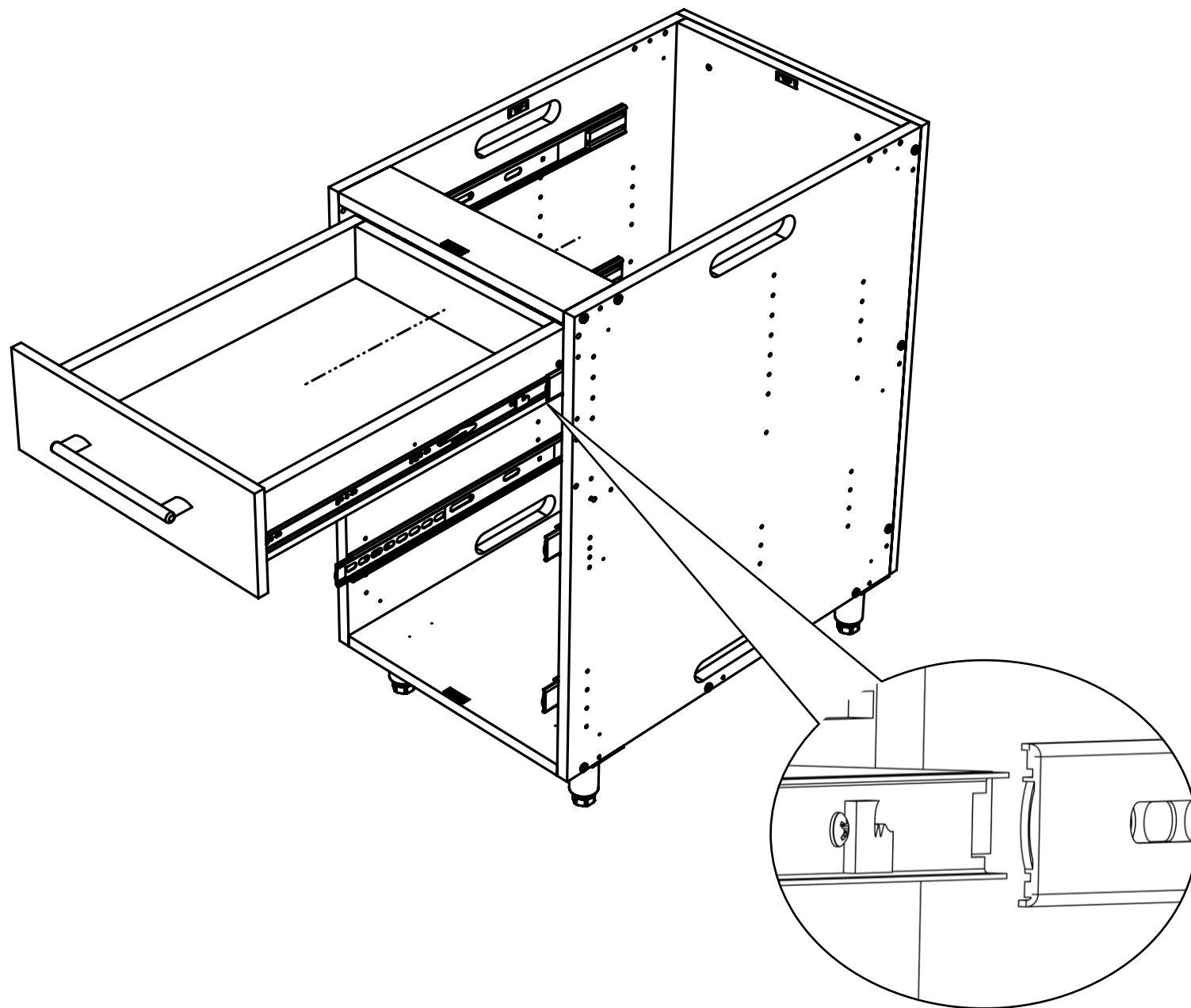
STEP 17

REQUIRES
4 x Euro Screws (H14)
2 x Larger Runner Member (B)
& Drill



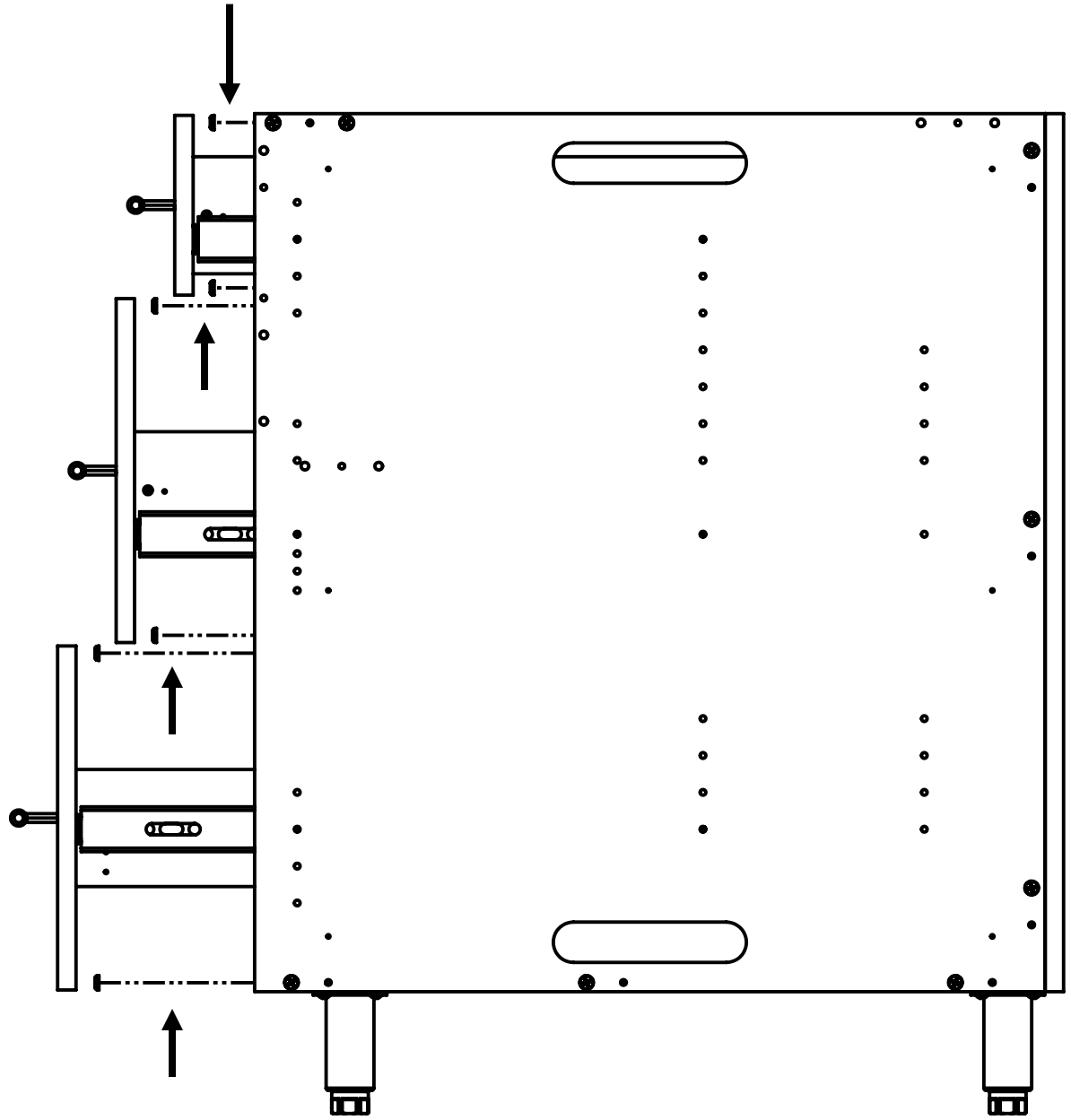
Using the drill and 4 Euro Screws (H14) to install two **Large Runner Members (B)**. You can reference page 3 and 4 for hole location.

STEP 18



Carefully slide the **Drawer Boxes** into the **Larger Runner Members (B)** by inserting the **Smaller Members (A)** into the plastic guides at the front of the **Larger Members**. You should hear a 'click' when fully inserted.

STEP 19



Place bumpers (H7) according to diagram above.

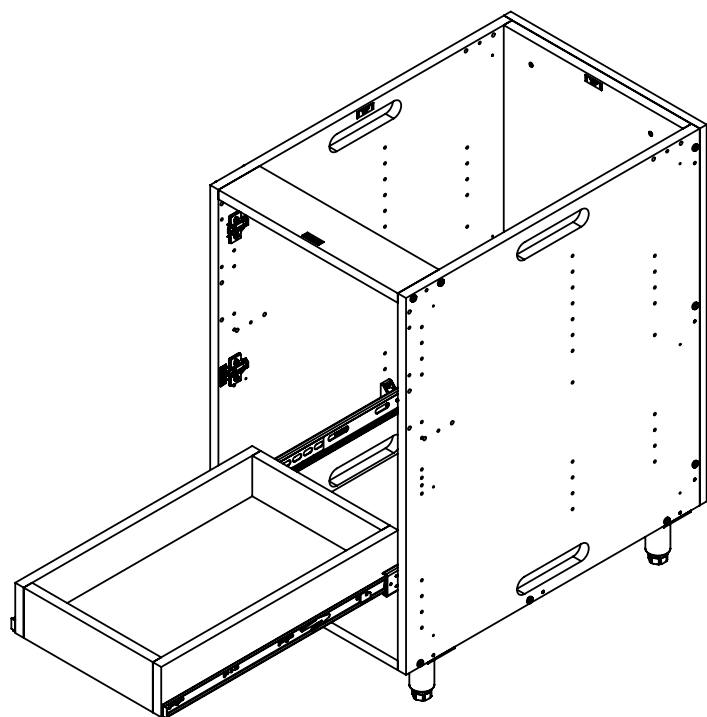
Assembly Instructions - ROTK18-FG

Rollout Tray Kit for 18" Base

Requires:	Description:
1 – C1	18" wide Base Cabinet Panel Kit
1 – P2	Rollout Tray Kit for 18" Base




For assistance visit
Weatherstrong.com
 888-845-0004



Before you start assembly, inspect all panels and hardware to ensure nothing is damaged and that you have everything required.

We recommend laying the components on provided packaging to protect the finish when assembling.

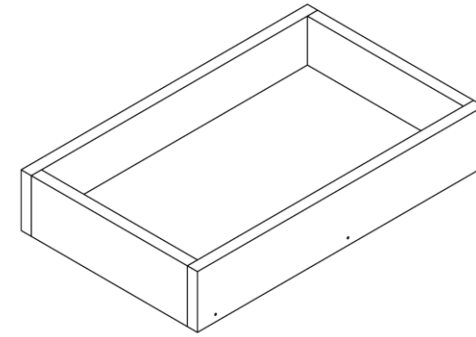
Required Tools
 Electric Drill with Phillips



Hardware Kit

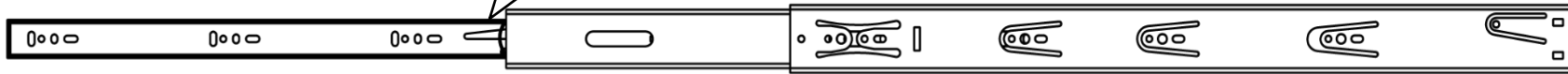
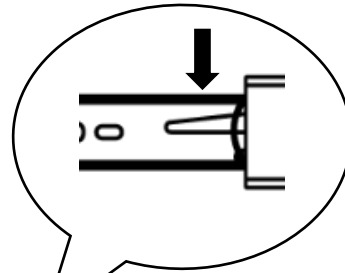
Rollout Tray

Picture	Qty	Item	Item ID
	6	Drawer Installation Screw	H11
	2	Drawer Runner	H13
	12	Euro Screw	H14
	4	Spacer	H15



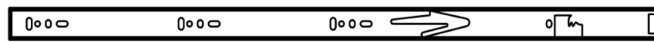
STEP 1

REQUIRES
2 x Drawer Runner (H13)



A

B



Remove **Drawer Runners** from packaging and extend the runners. While pressing down on the white tab pull **Smaller Runner Member (A)** apart from **Larger Runner Member (B)**.

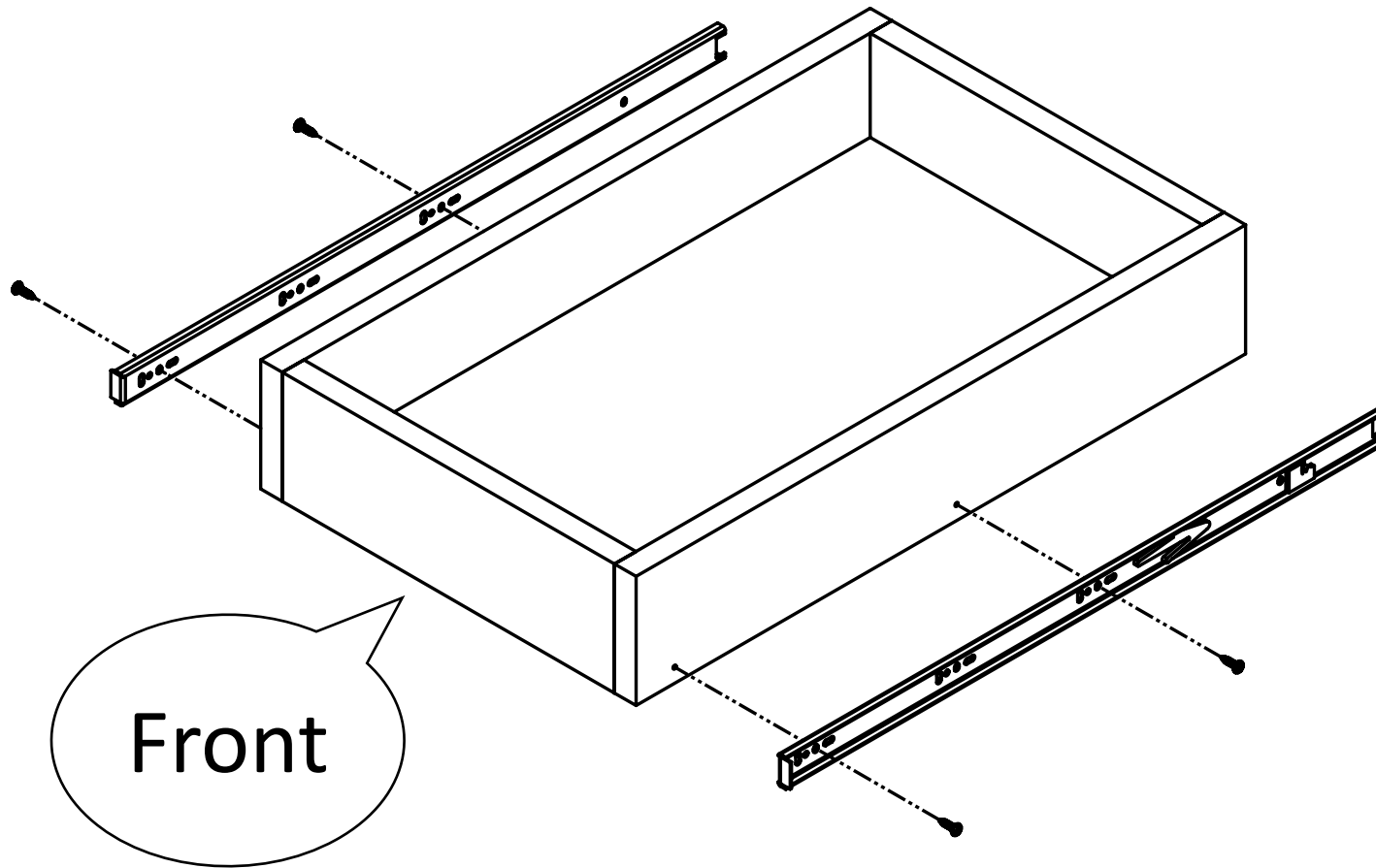
STEP 2

REQUIRES

4 x Drawer Installation Screw (H11)

2 x Drawer Runner (A)

Drill



Attach the **Smaller Runner Members (A)** to **Rollout Tray** with (4) **Drawer Installation Screws (H11)**. The tabs should be flush with the front of the box.

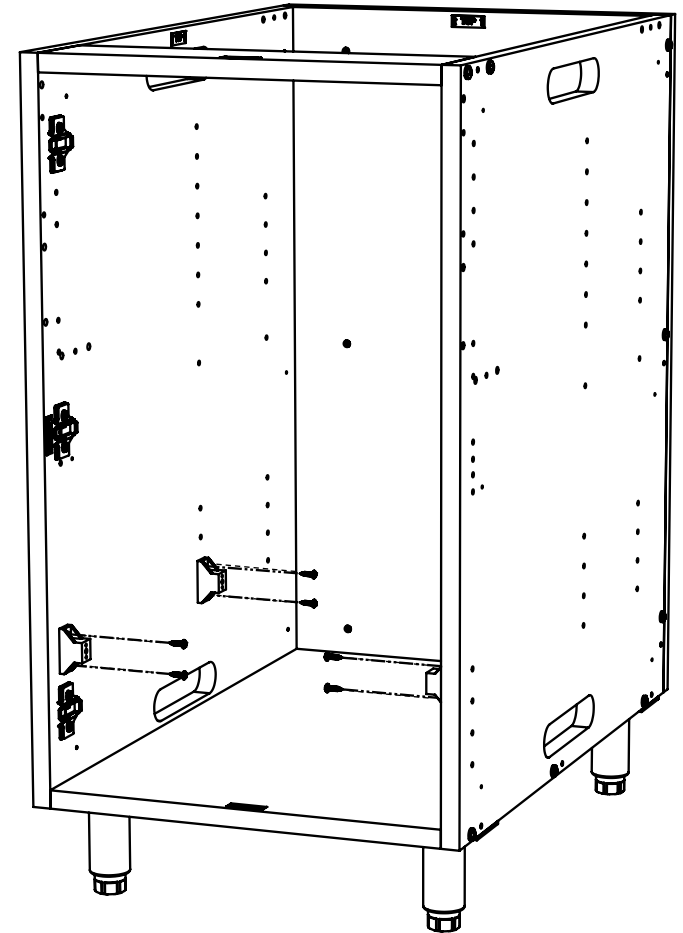
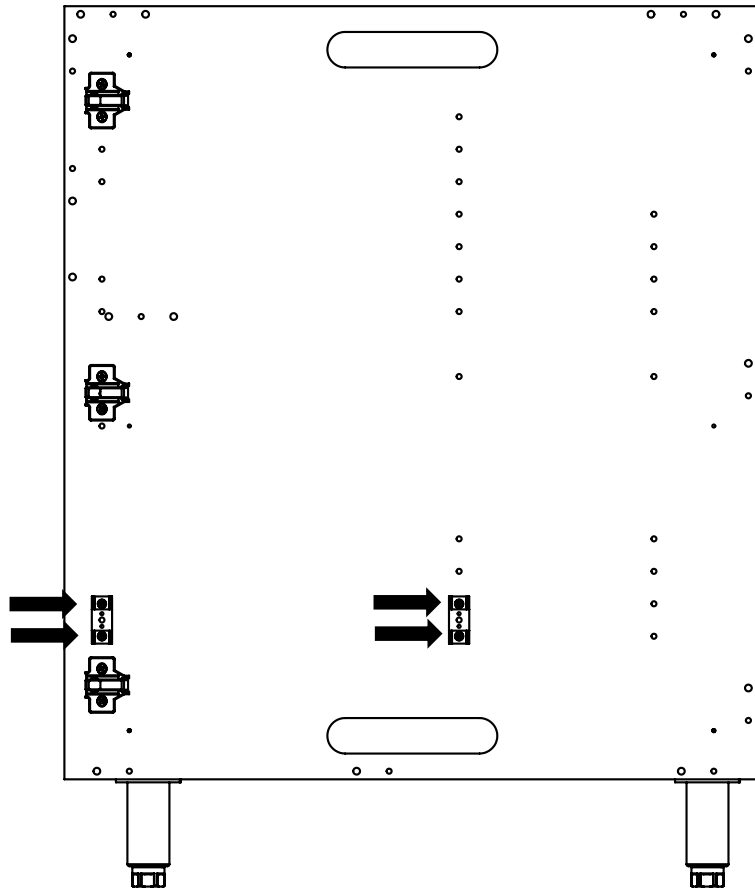
STEP 3

REQUIRES

8 x Euro Screw (H14)

4 x Spacer (H15)

Drill

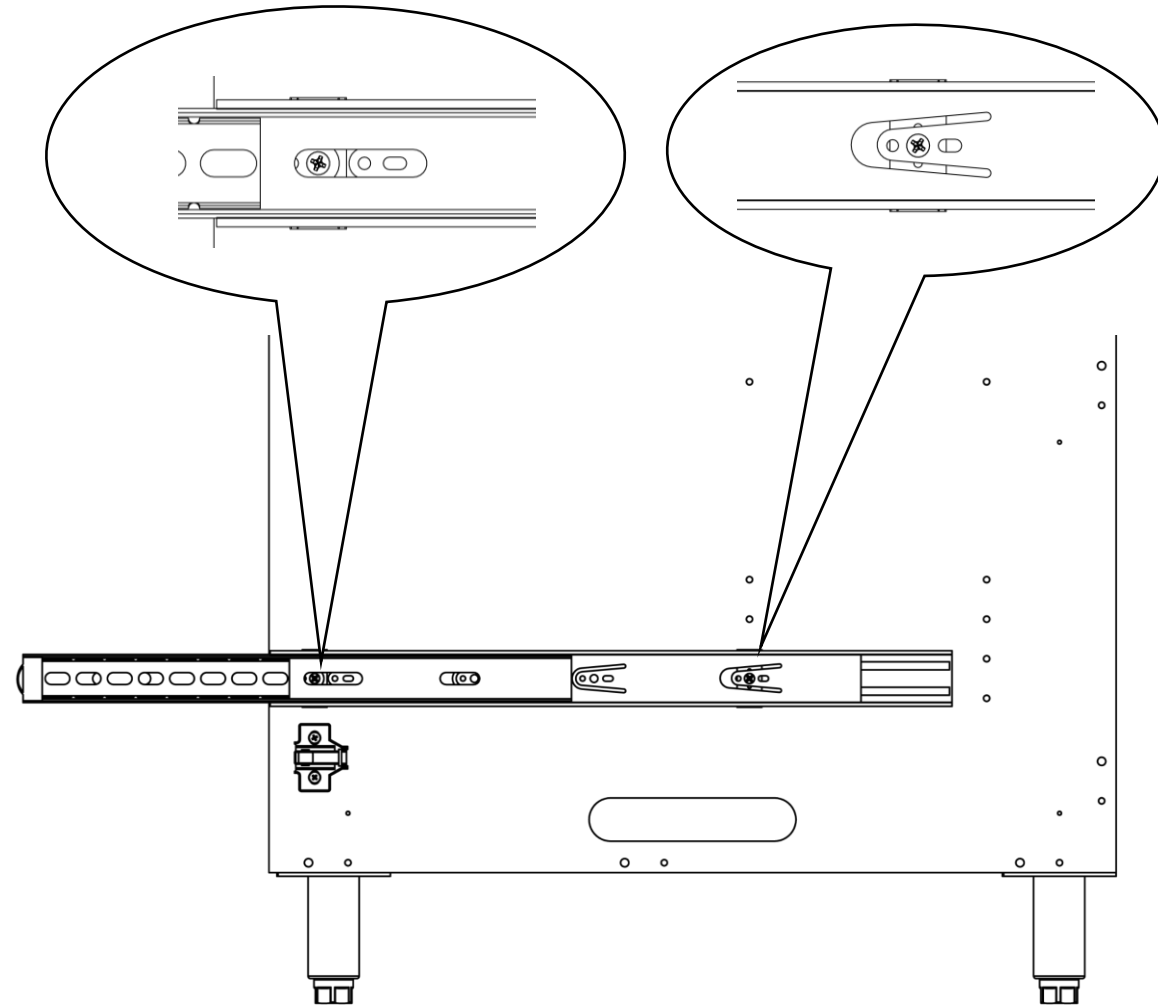
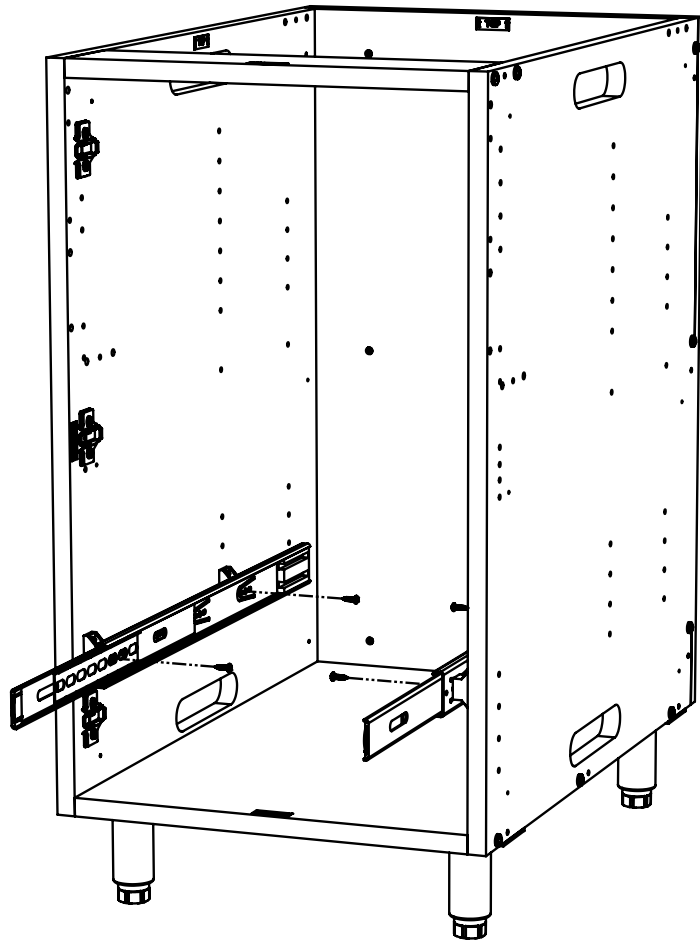


Install two **Spacers** (H15) on each End Panel just above the lower hinge, as shown, using two **Euro Screws** (H14) per **Spacer**.

STEP 4

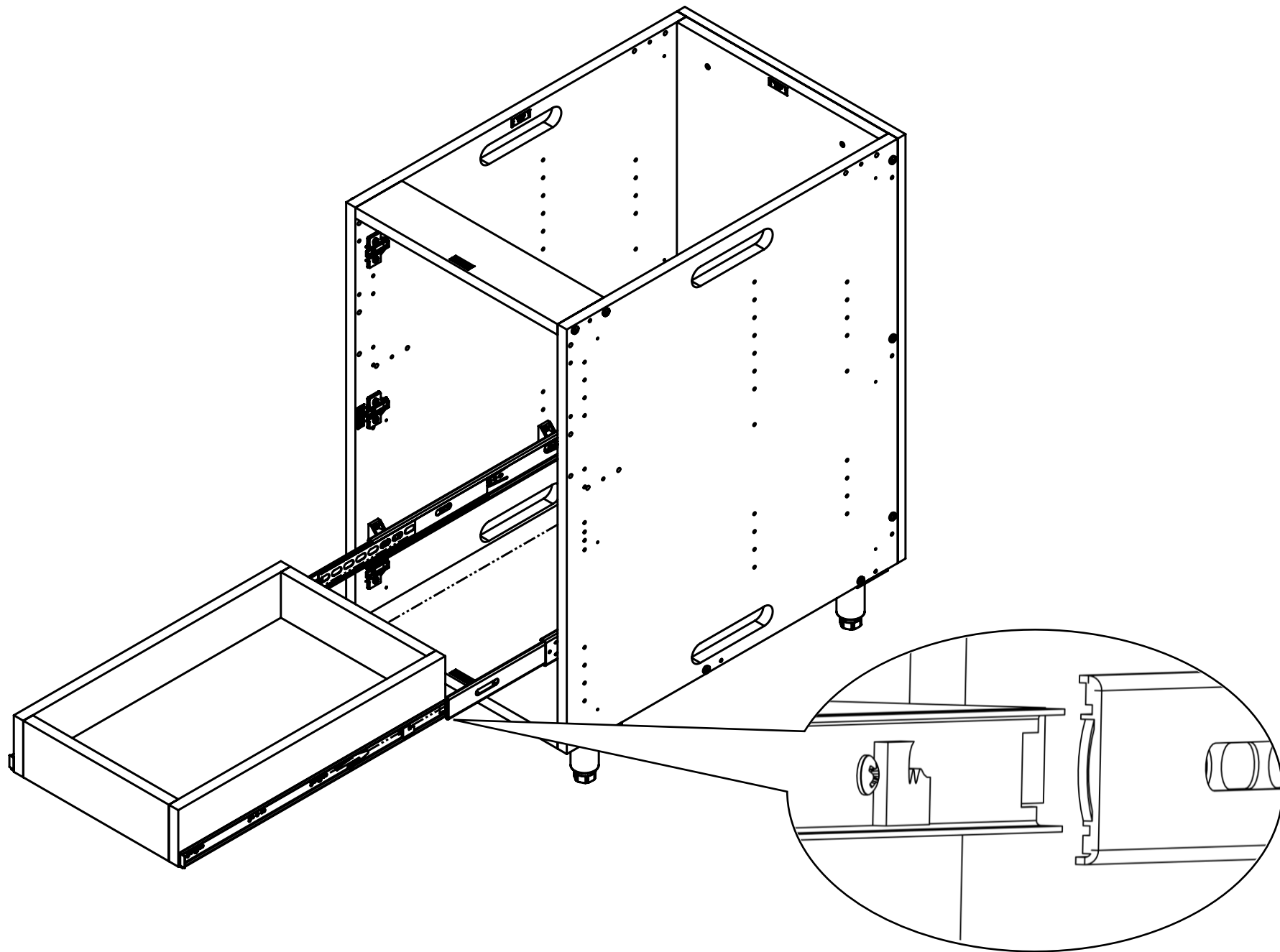
REQUIRES

- 4 x Euro Screws (H14)
- 2 x Larger Runner Member (B)
- Drill



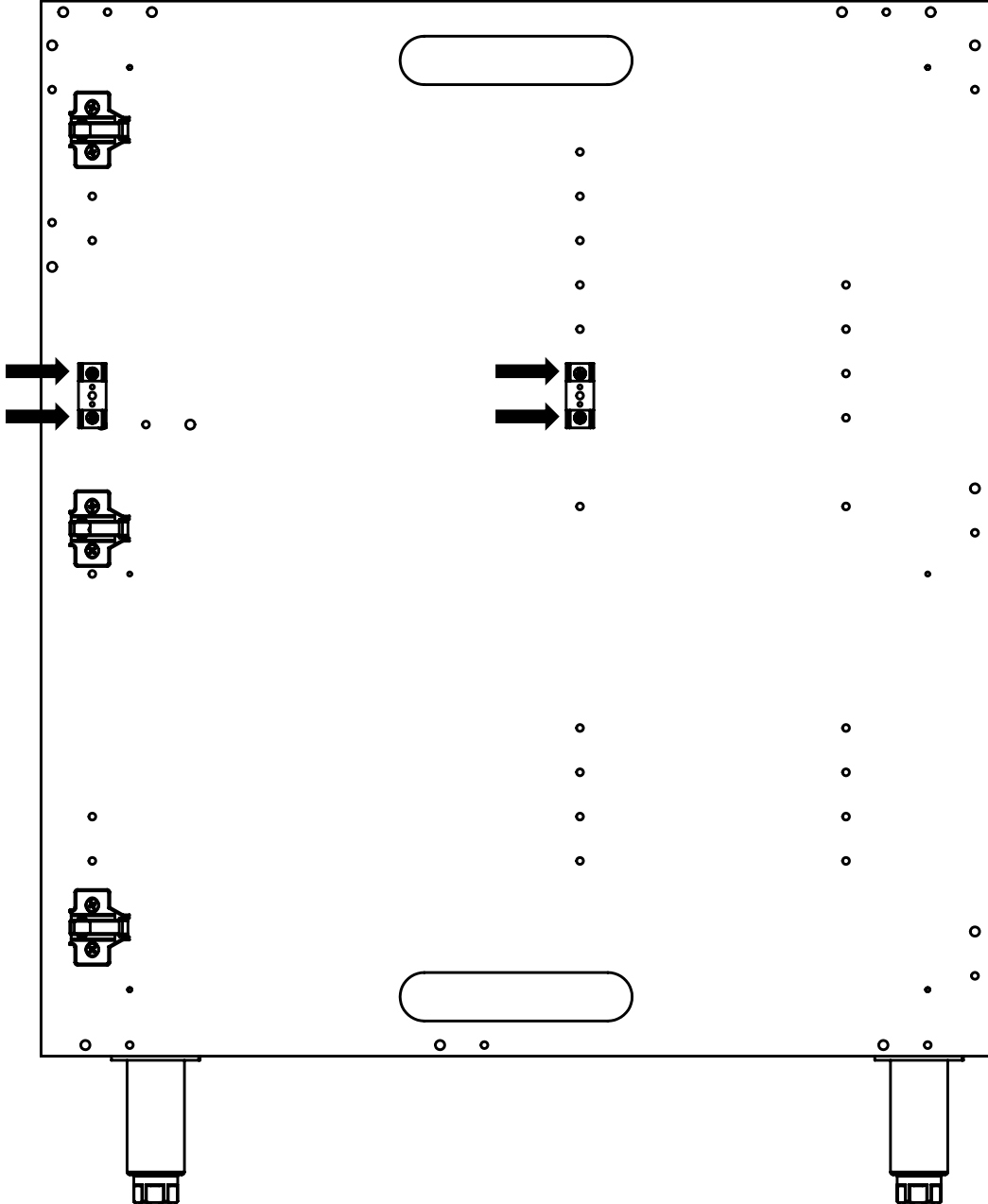
Attach the **Larger Runner Members (B)** to the **Spacers (H15)** using two **Euro Screws (H14)** per runner. To access the attachment holes, you will need to extend the runner mechanism, as shown.

STEP 5



Carefully slide the **Rollout Tray** into the **Larger Runner Members (B)** by inserting the **Smaller Members (A)** into the plastic guides at the front of the **Larger Members**. You should hear a 'click' when fully inserted.

STEP 6



If applicable repeat steps to install an additional upper **Rollout Tray** at the designated holes shown above.

Steps for a Successful Installation

1. Prepare the Site

- 1.1 Your outdoor kitchen should always be installed on a stable surface (patio/deck/balcony/rooftop) which should be as near to level as drainage requirements allow.
- 1.2 All cabinets come standard with adjustable stainless steel legs. However, in instances of extreme slope, or very large kitchens, footings may be needed to compensate if it falls out of the adjustable range of the legs.
- 1.3 Your kitchen has been designed to be freestanding and does not need to be affixed to the ground/wall. For extreme environments, such as high wind areas, we suggest that your kitchen be secured to an appropriate support structure. Please consult with your contractor/engineer for specifics.
- 1.4 Verify with your contractor/engineer to ensure that the surface is designed to support the weight of the kitchen.

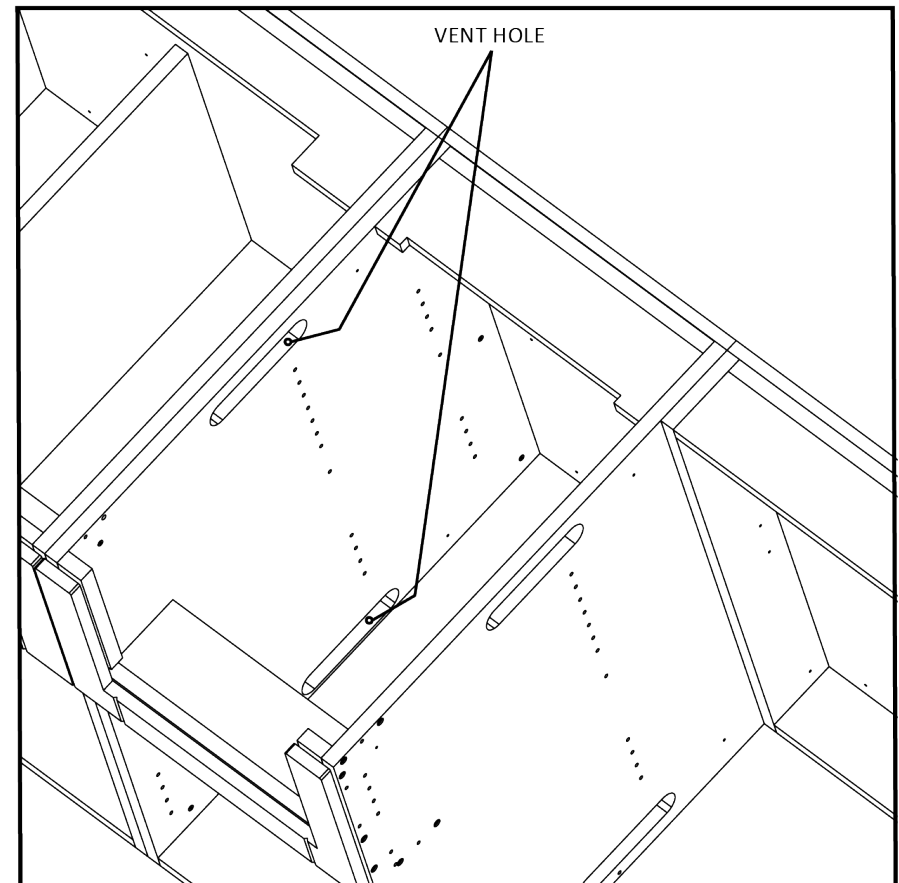
2. Planning for Appliances

- 2.1 Your island cabinetry is made from weatherproof combustible materials and therefore, each gas appliance requires an insulated heat jacket. Check your specific island configuration for the necessary parts.
- 2.2 Please review the owner's manuals provided with your appliances before installation and ensure the hook-up is done by a licensed professional in accordance with local codes.

Important! All gas hookups, including conversions from propane to natural gas, must be performed by a licensed plumber. Attempting this work without a qualified professional can result in serious injury or death. Always verify and comply with local building and venting code requirements before installation.

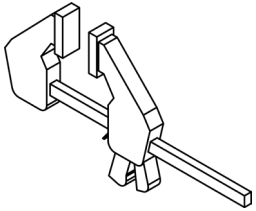
3. Planning for Services (Gas/Electrical/Plumbing)

- 3.1 Vent holes are included in most cabinets to make service planning and implementation as easy as possible.
- 3.2 Local codes have specific requirements and restrictions for all services. Please ensure that planning and installation is performed by a locally licensed tradesperson.

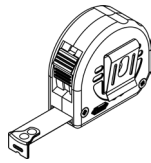


— Island Installation —

Tools Required



C-Clamps

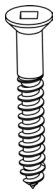


Tape Measure

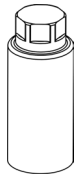


Electric Drill with Phillips and Square bit

Hardware Included



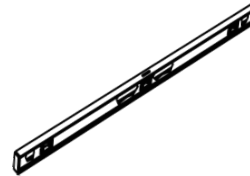
#8 Screws
(Attachment Screws)



Legs

— Countertop Installation —

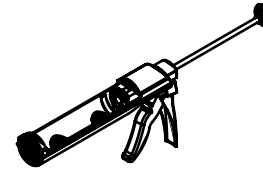
Tools Required



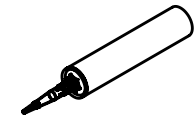
Box Level



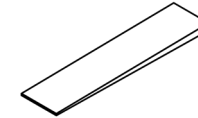
Pencil



Caulking Gun



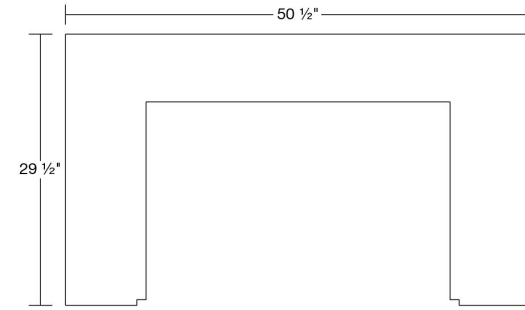
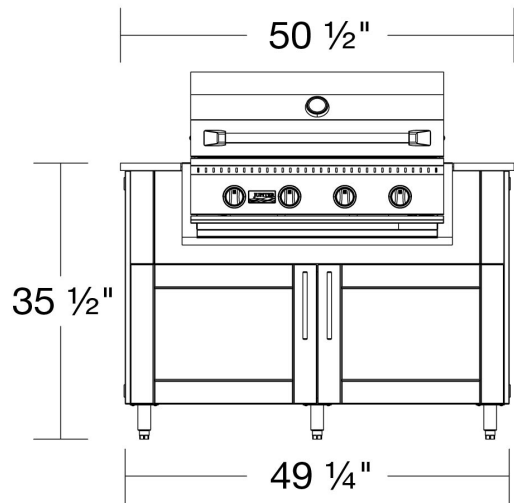
Outdoor Rated Adhesive



Shims

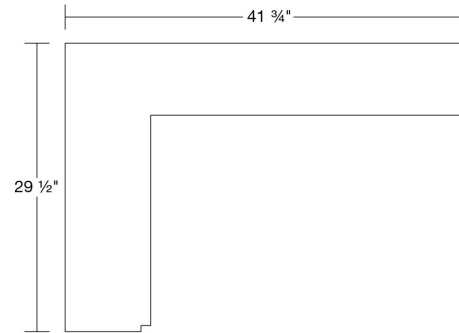
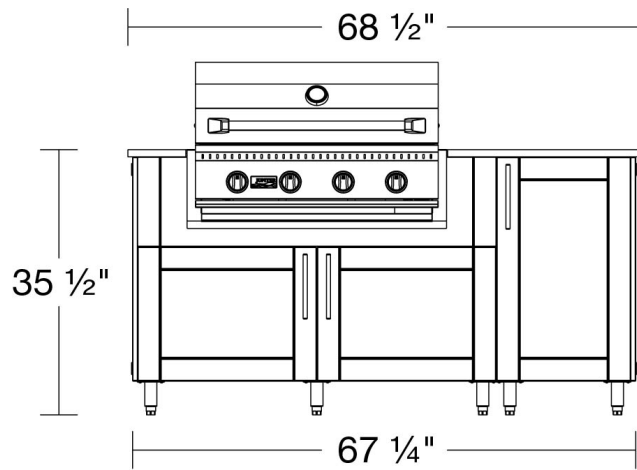
CAUTION: Safety glasses and gloves recommended

F505C

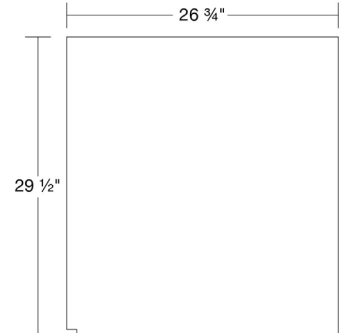


CTL-JUPU1-GF

F685L

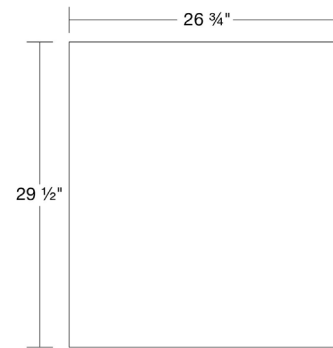
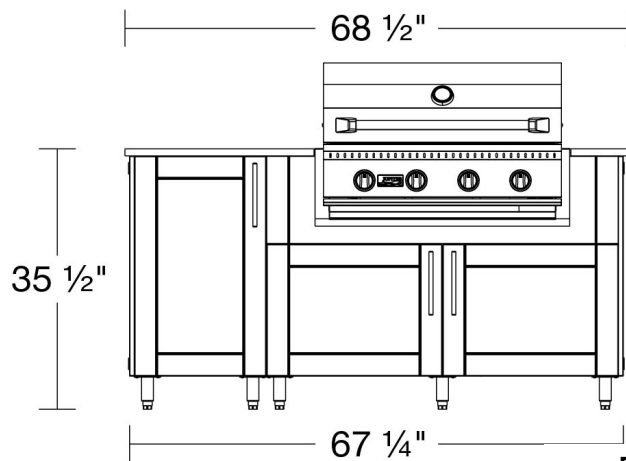


CTL-JUPL2-GF

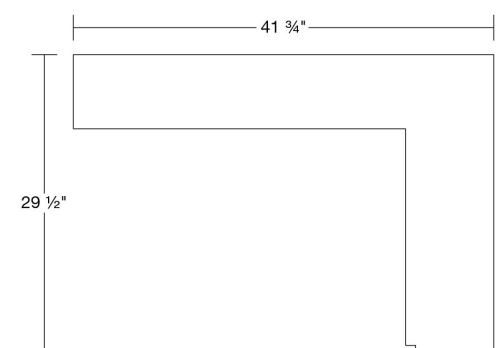


CTL-JUPR1-GF

F685R



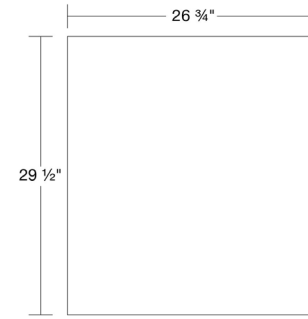
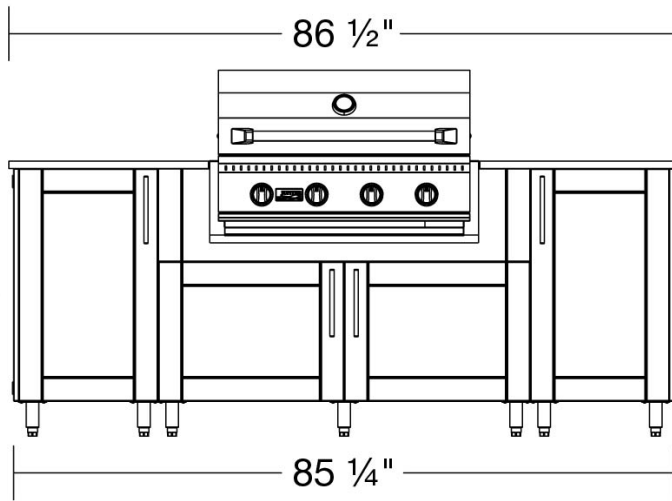
CTL-JUPL1-GF



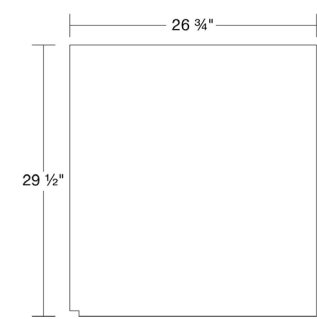
CTL-JUPR2-GF

F865C

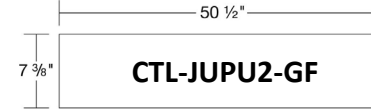
35 1/2"



CTL-JUPL1-GF



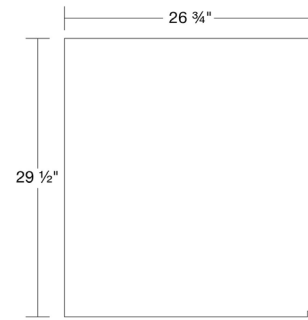
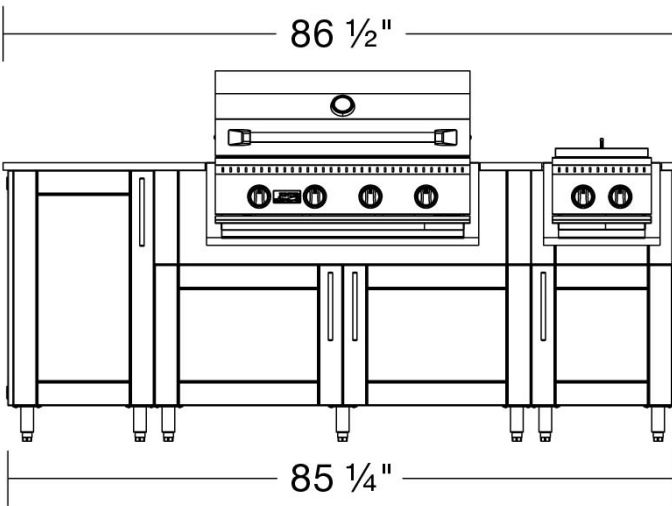
CTL-JUPR1-GF



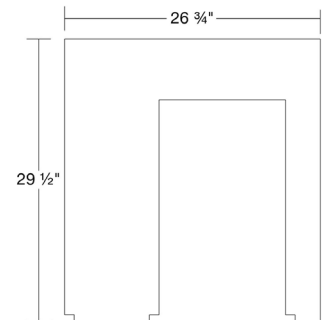
CTL-JUPU2-GF

F865CBR

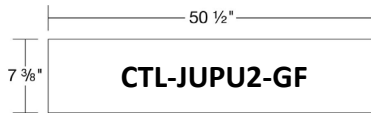
35 1/2"



CTL-JUPL1-GF



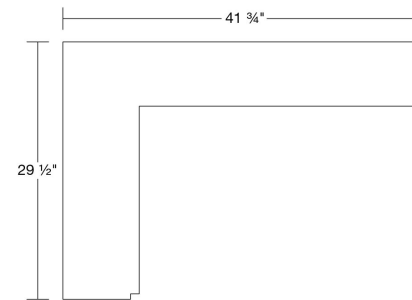
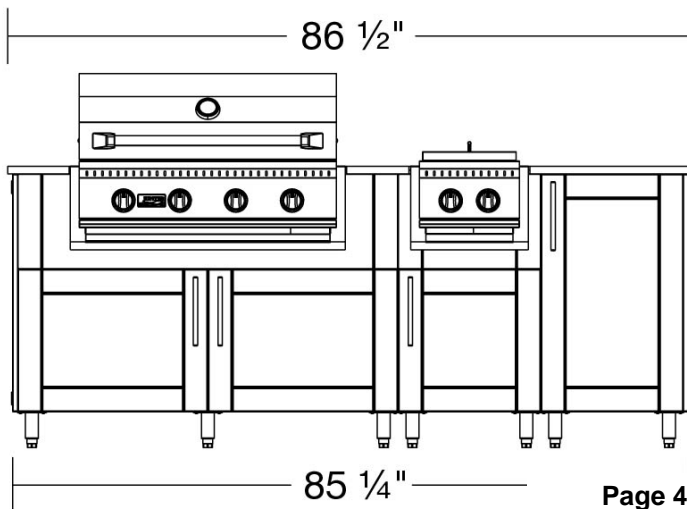
CTL-JUPR3-GF



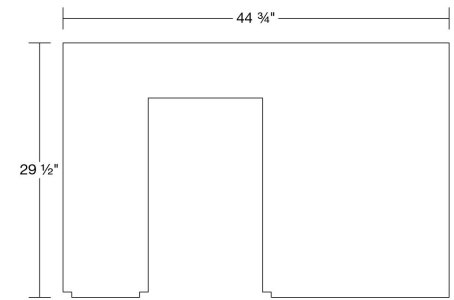
CTL-JUPU2-GF

F865LBR

35 1/2"

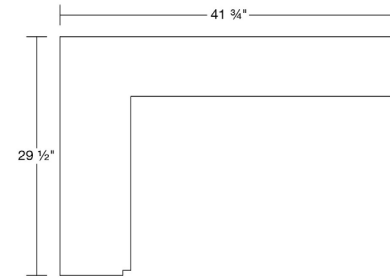
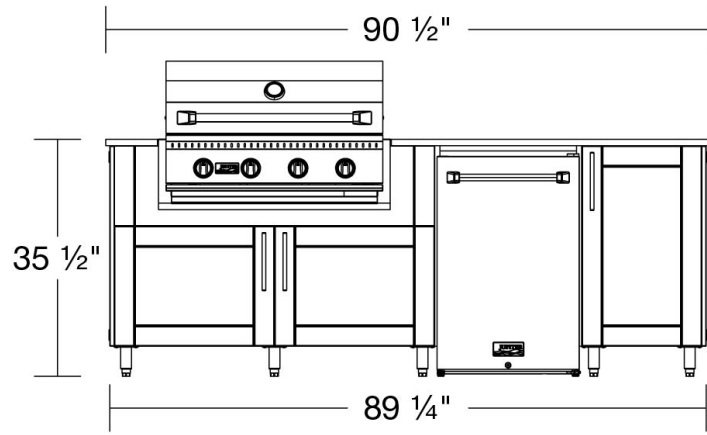


CTL-JUPL2-GF

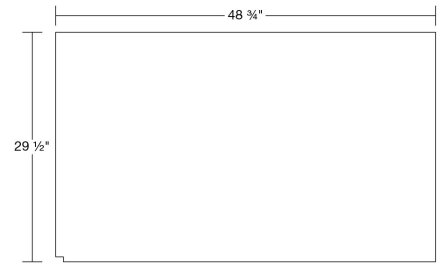


CTL-JUPR4-GF

F905LFR

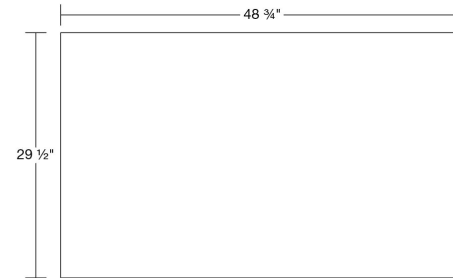
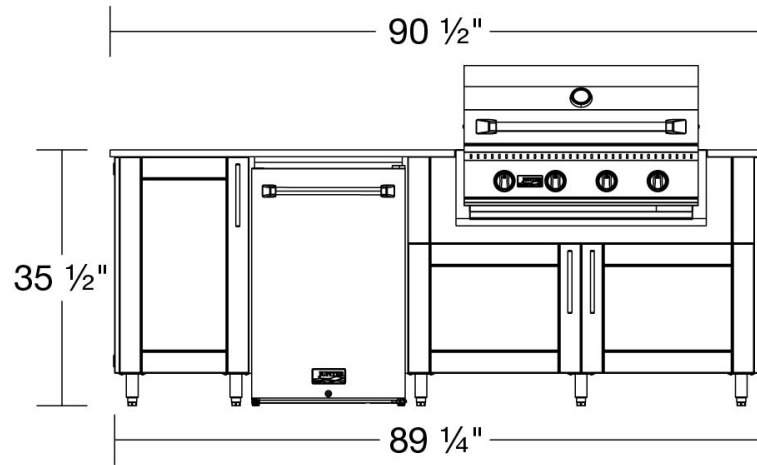


CTL-JUPL2-GF

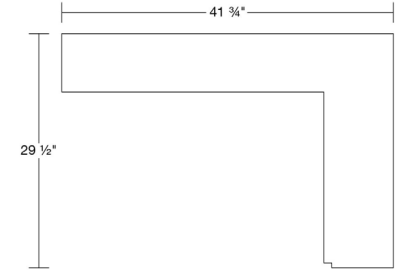


CTL-JUPR5-GF

F905RFL

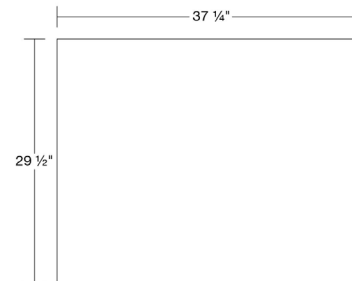
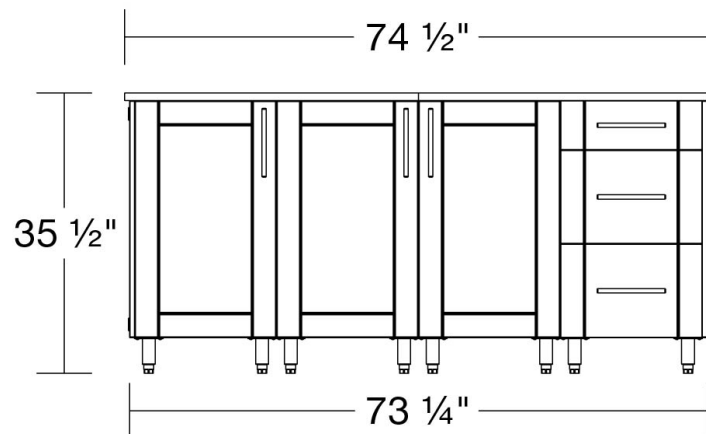


CTL-JUPL5-GF

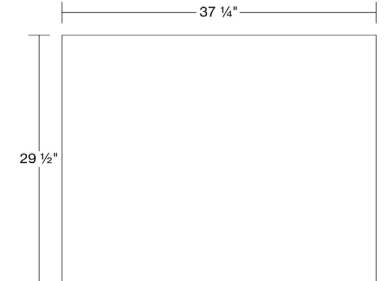


CTL-JUPR2-GF

F745DR

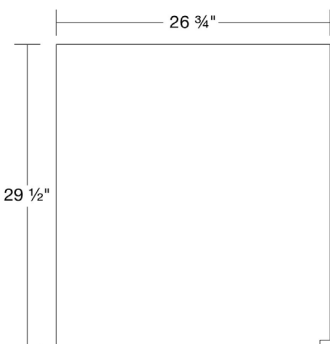
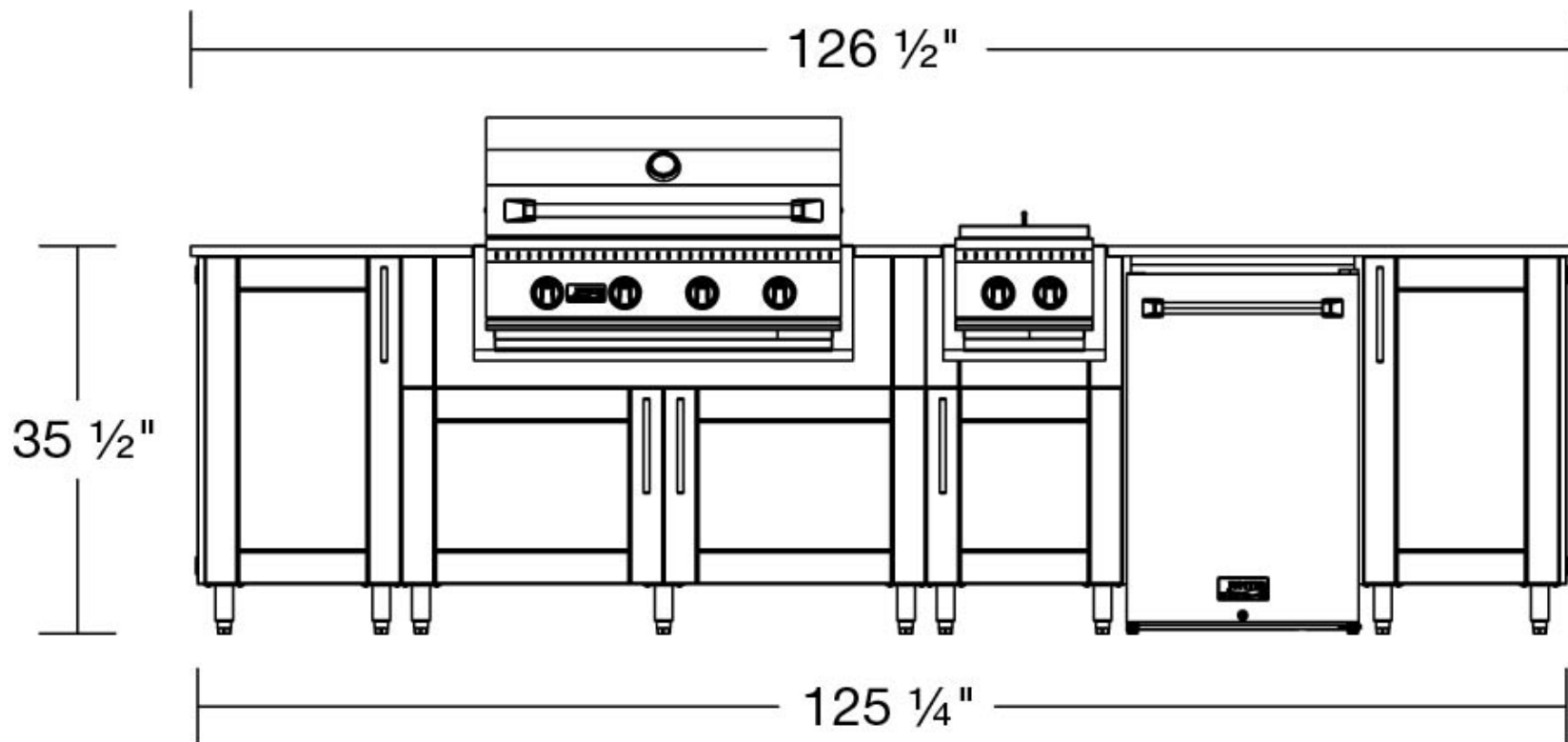


CTL-JUPL6-GF

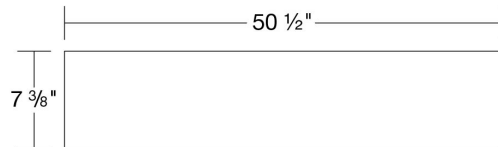


CTL-JUPR6-GF

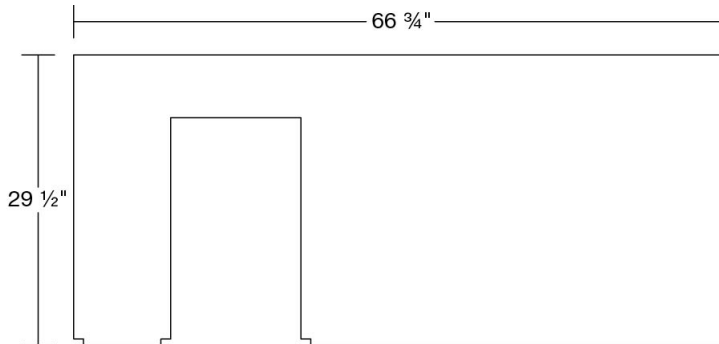
F126LBRFR



CTL-JUPL1-GF



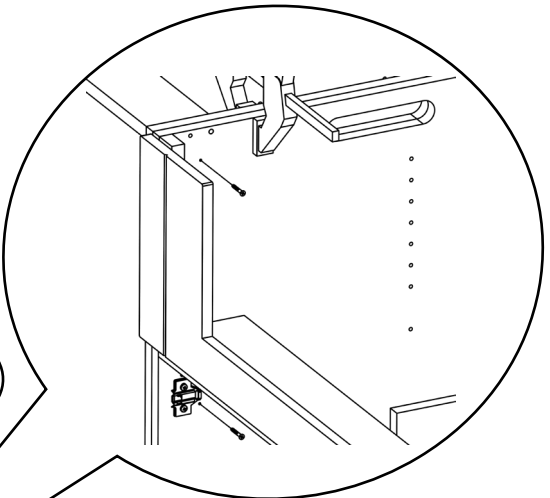
CTL-JUPU2-GF



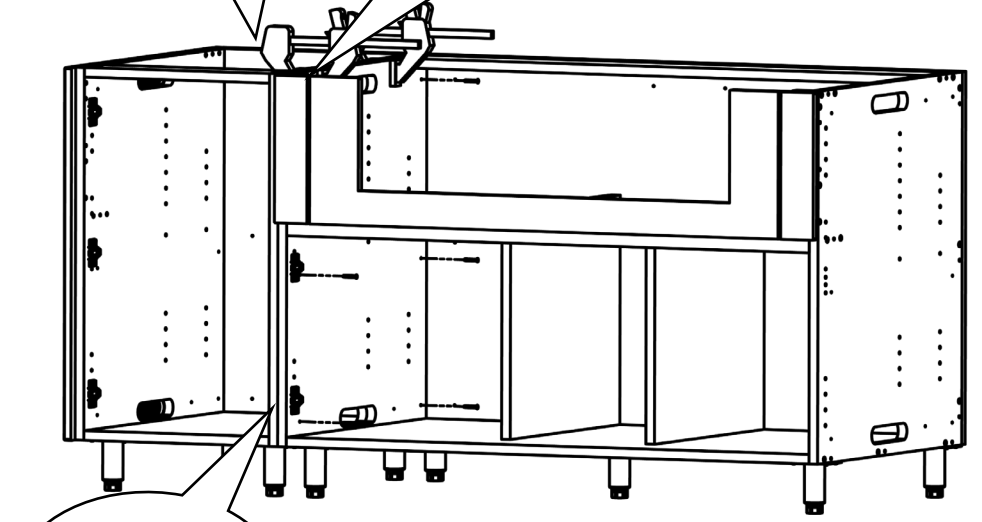
CTL-JUPR8-GF

Base Cabinet Installation

REQUIRES
 2x C-Clamps, Drill, & Box Level
 6 x Attachment Screws



Flush Back Panels
 Before Tightening
 Attachment Screws



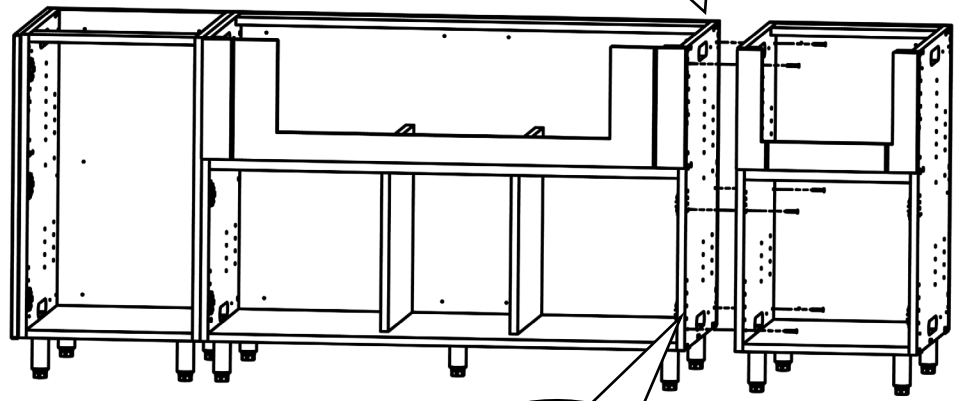
Flush
 Front &
 Top Edges

Align the attachment screw holes of the right side of the Base cabinet to the left side of the Grill Base cabinet. Then, temporarily hold each cabinet together using C-clamps. Lastly, use the 6 attachment screws to connect each cabinet together.

Side Burner Cabinet Installation

REQUIRES
 2x C-Clamps, Drill, & Box Level
 6 x Attachment Screws

Flush Back Panels
 Before Tightening
 Attachment Screws



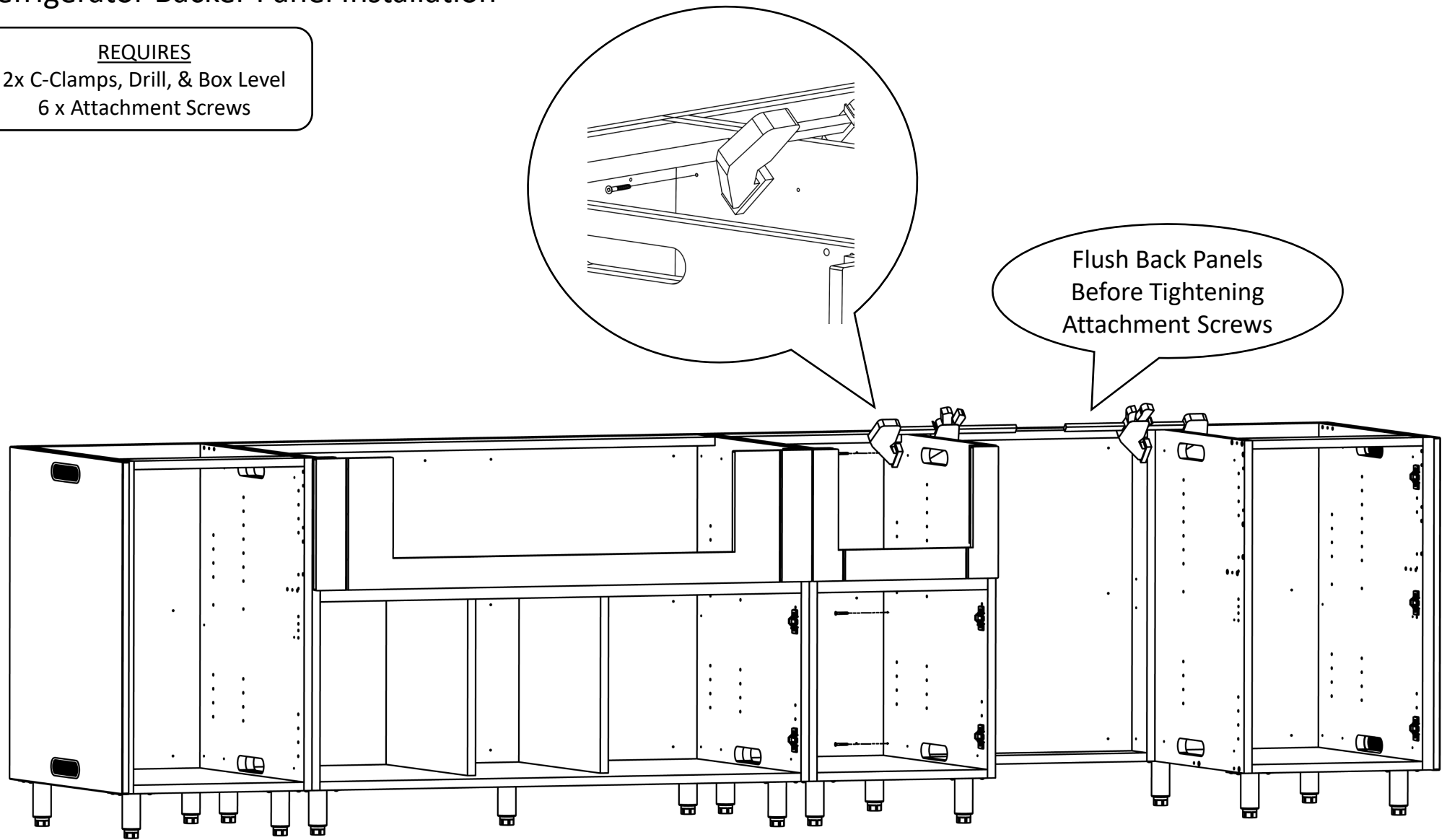
Flush
 Front &
 Top Edges

Align the attachment screw holes of the left side of the Side Burner Base cabinet to the right side of the Grill Base cabinet. Then, temporarily hold each cabinet together using C-clamps. Lastly, use the 6 attachment screws to connect each cabinet together.

Refrigerator Backer Panel Installation

REQUIRES

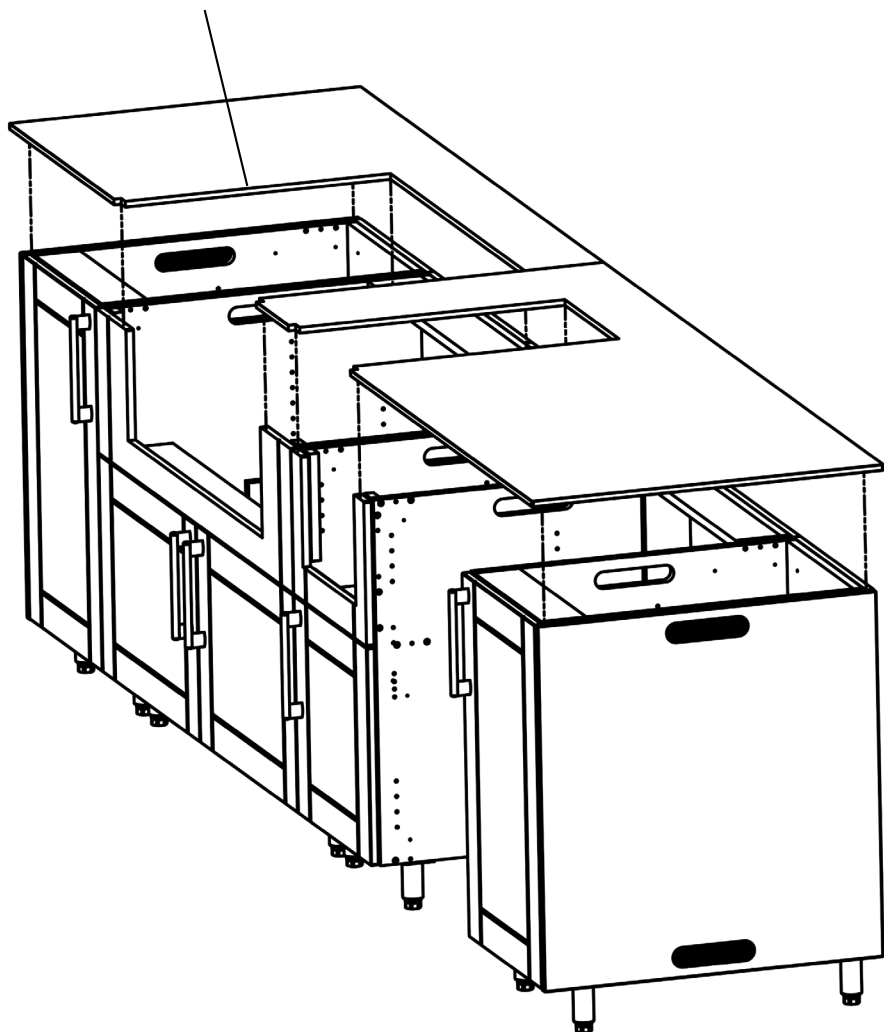
2x C-Clamps, Drill, & Box Level
6 x Attachment Screws



Align the finished back of the Refrigerator Backer to the finished back of the adjacent cabinets and temporarily secure it in place using C-clamps. Use the 6 attachment screws to connect the Refrigerator Backer to both cabinets.

Leveling Island

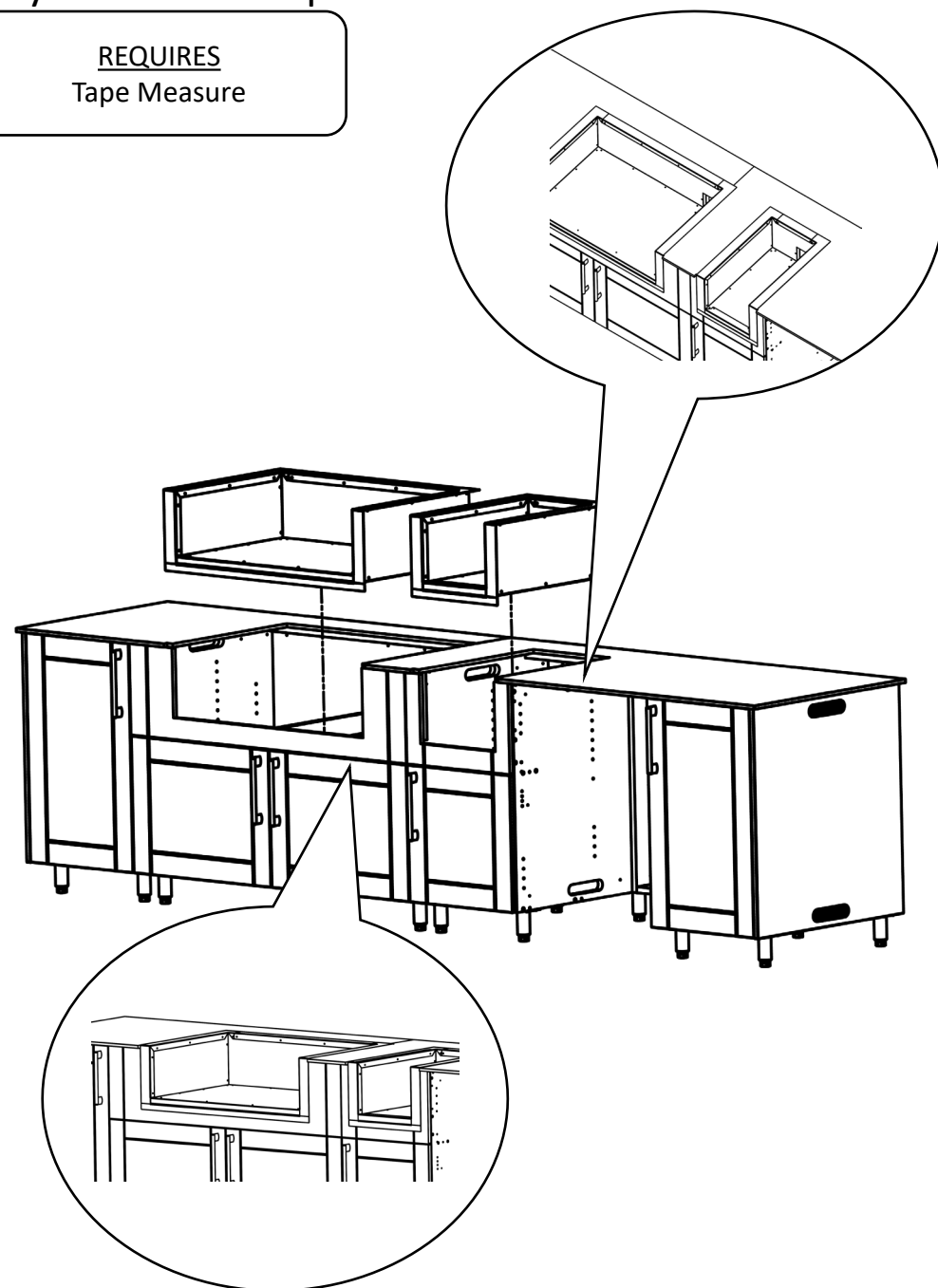
REQUIRES
Box Level



Ensure the top of the island is level before proceeding. Place the countertop components on the island with the letters facing up. Make sure the Grill Liner notches in the countertop are lined up with the apron front cutouts.

Dry-Fit Countertop & Grill Liners

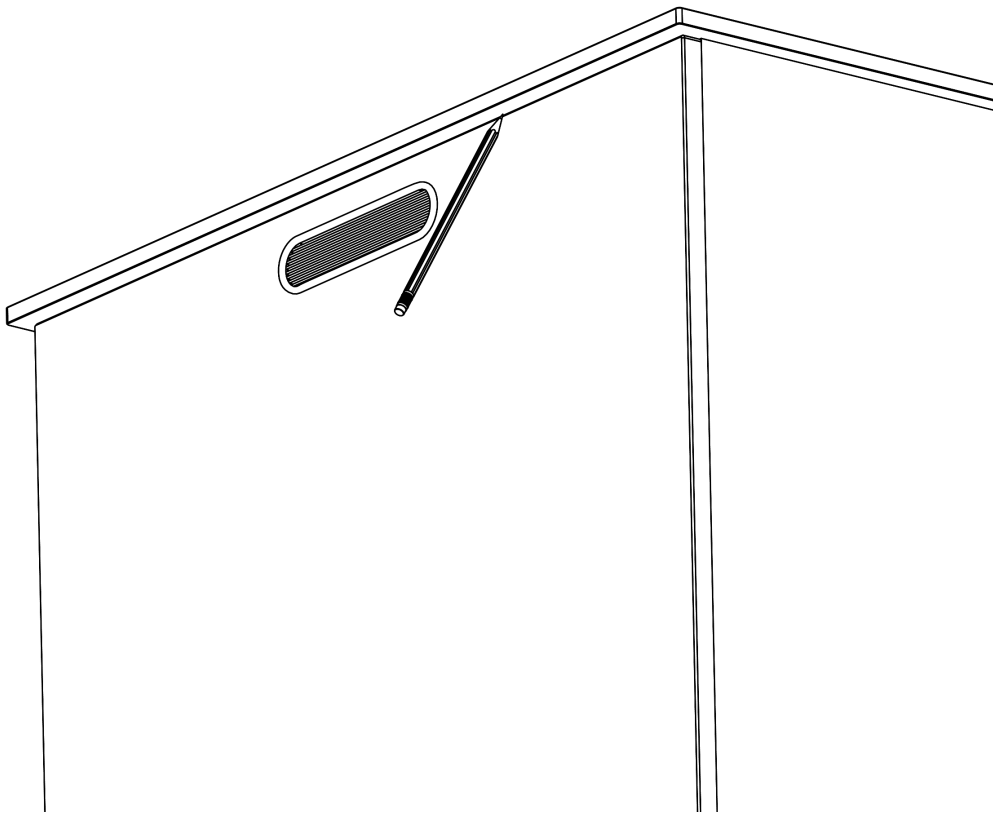
REQUIRES
Tape Measure



Carefully insert the Grill Liner(s), ensuring the front of the Liner(s) is flush against the cabinet Apron Front. Make sure the countertop components fit tight in the back. Shims may be necessary to properly align the tops. The back edge and both ends should overhang approximately 5/8"

Installing Countertop Step 1

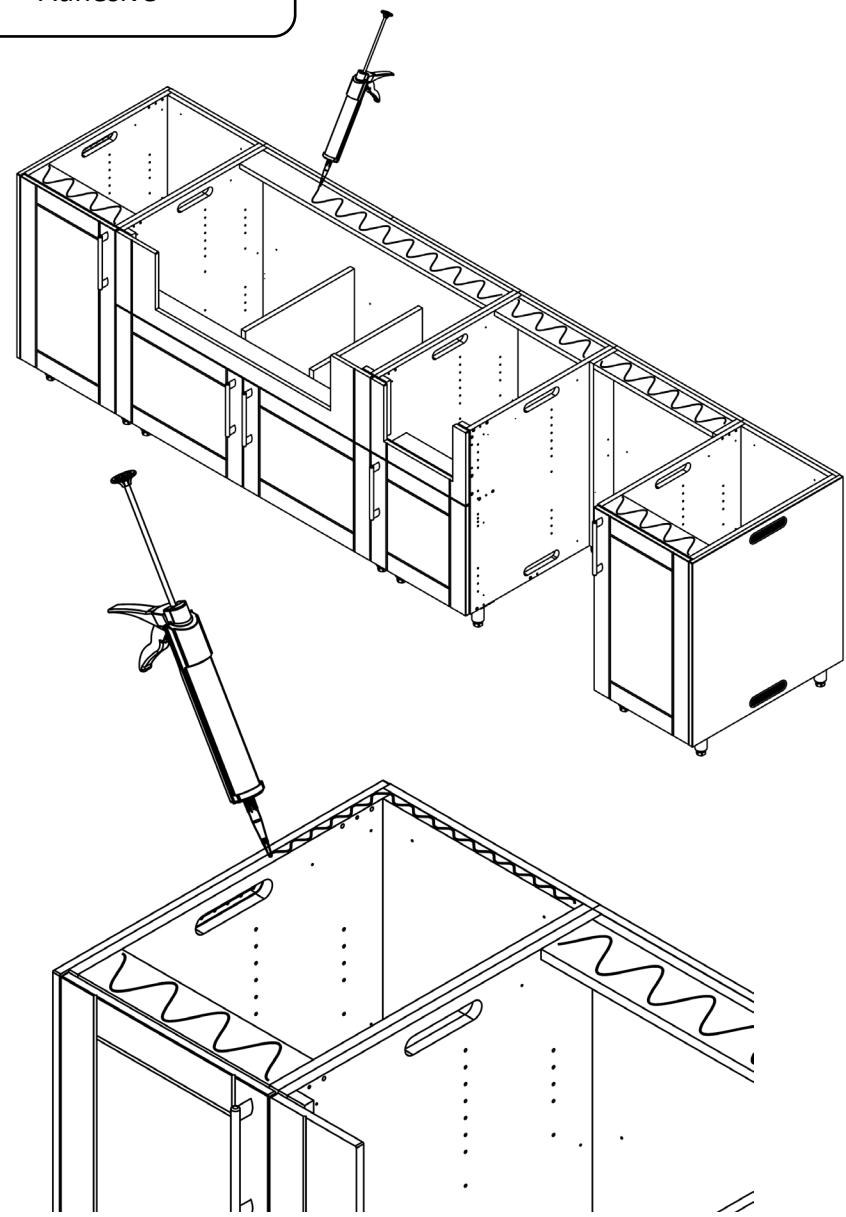
REQUIRES
Pencil



Once the countertop and Grill Liners are positioned correctly, use a pencil to mark the underside of the countertop.

Installing Countertop Step 2

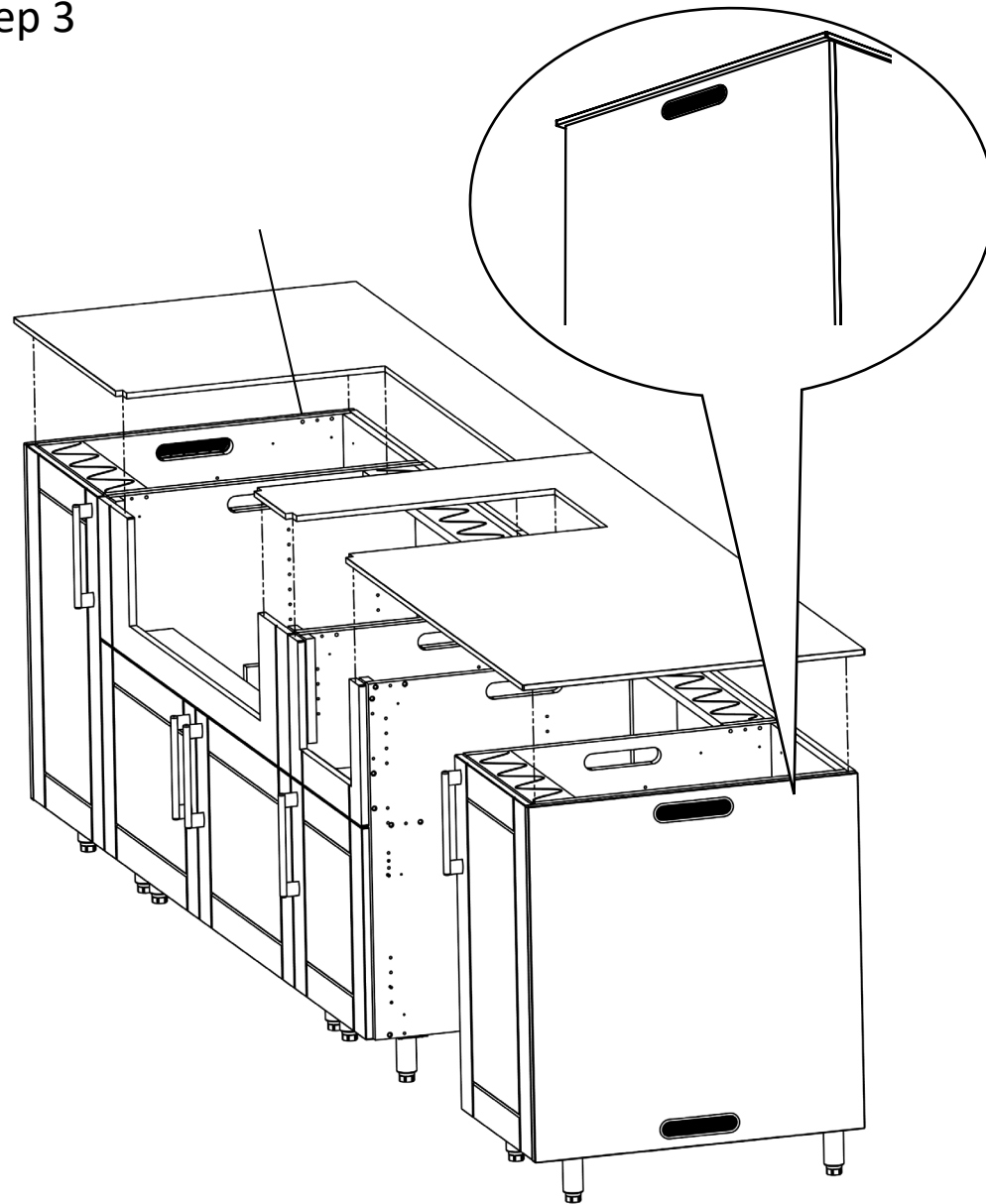
REQUIRES
Adhesive



Remove Grill Liner and the countertop components and set them aside. Apply Outdoor Rated Construction Adhesive liberally to the front and back rails and along the top edge of the cabinets, as shown. Ensure all adhesive is applied to the 3/4" All-Weatherboard® not the 5/8" HDPE.

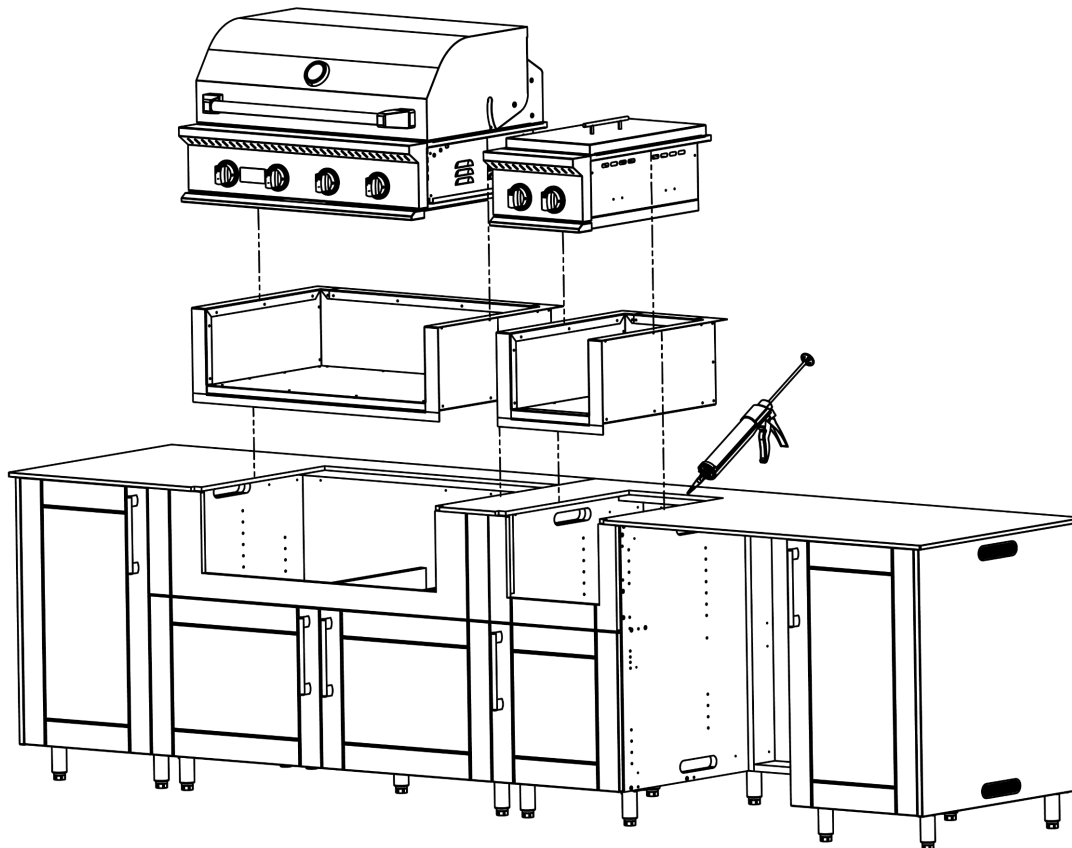
Installing Countertop Step 3

REQUIRES
Box Level



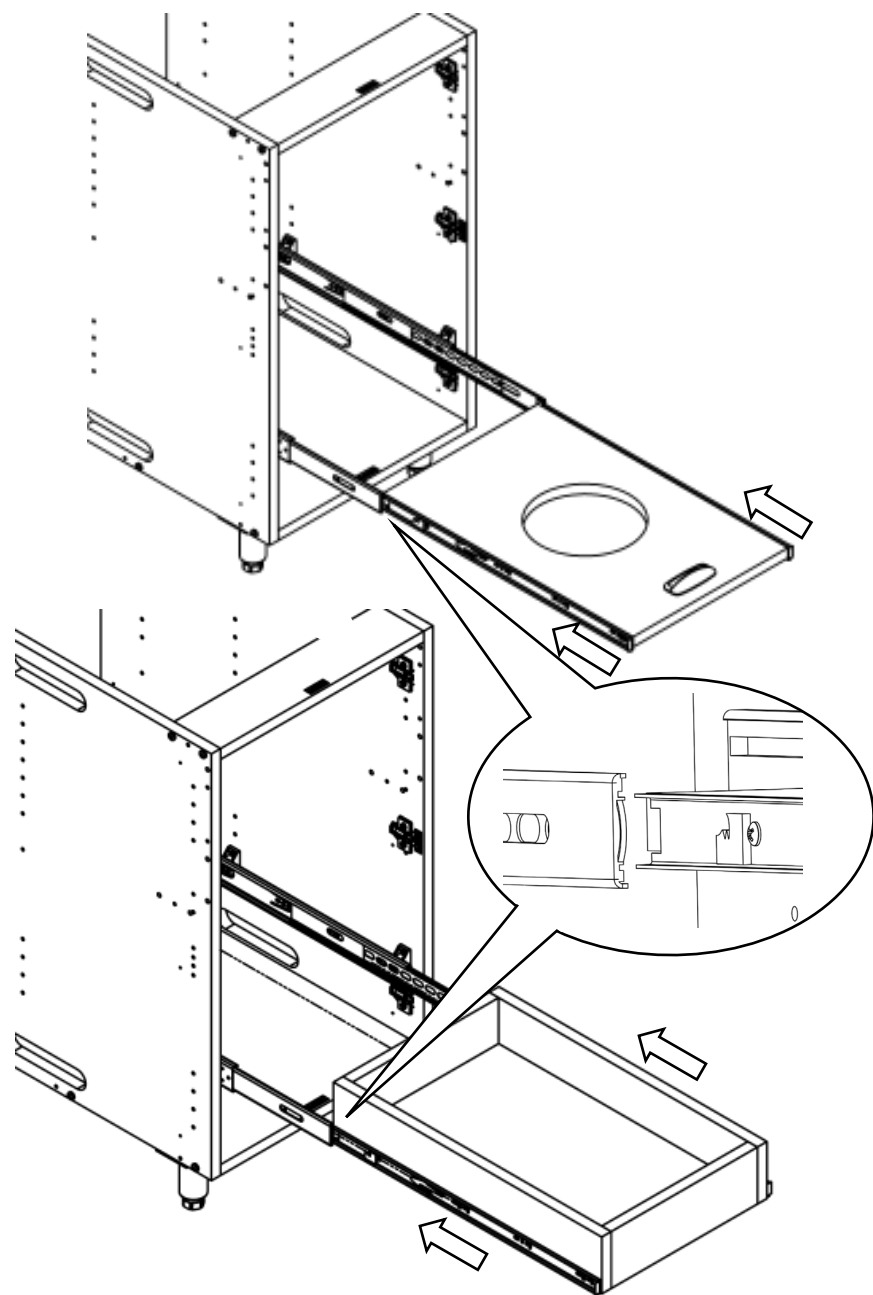
Carefully replace the countertop components using the pencil reference marks. Make sure the countertop pieces fit tightly together and are level; shim if necessary. Use blue painter's tape to hold the pieces together. Allow 24 hours for the adhesive to fully cure before reinstalling the Grill Liner.

Important! All gas hookups, including conversions from propane to natural gas, must be performed by a licensed plumber. Attempting this work without a qualified professional can result in serious injury or death. Always verify and comply with local building and venting code requirements before installation. If access holes are required for hoses or cables, use standard wood drill bits and hole saws.



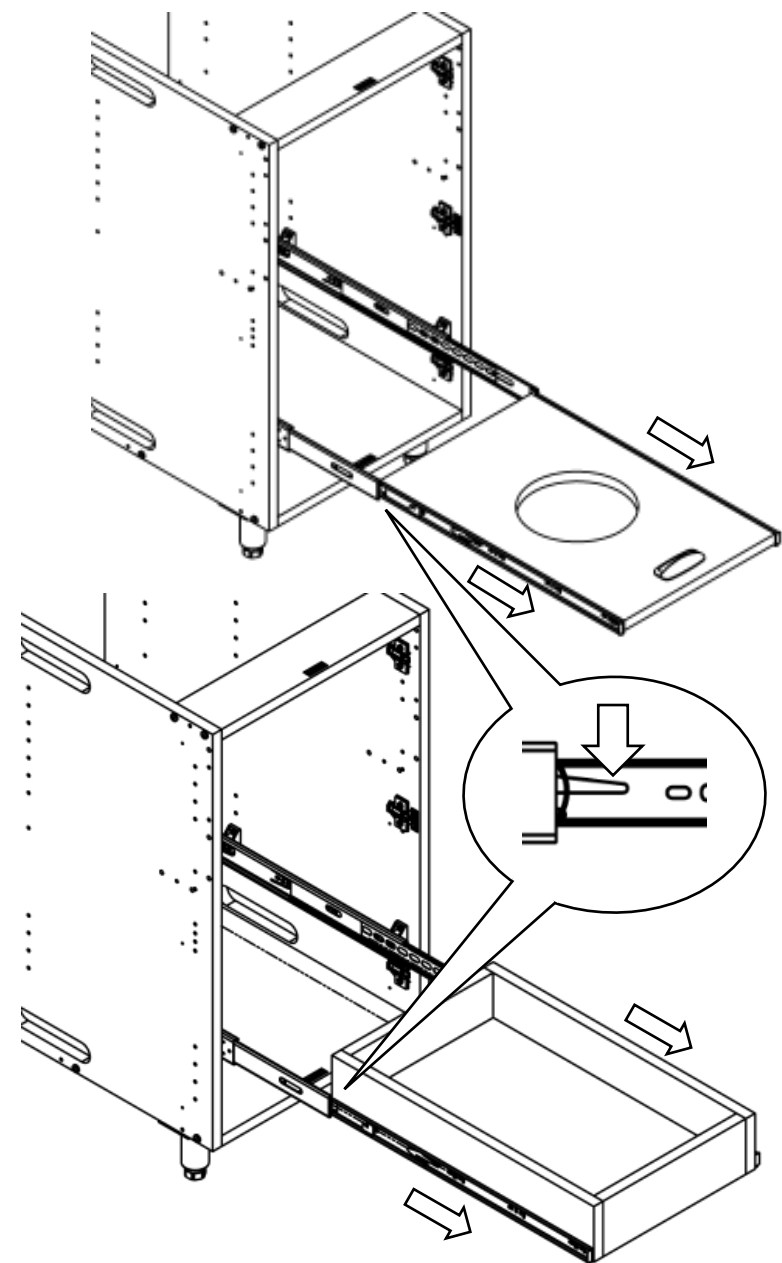
Once the adhesive has fully cured, you can install the Grill Liner. First, run a bead of outdoor rated clear silicone caulk around the countertop cutout and install the Grill Liner. The outdoor rated clear silicon caulk will stop water from entering the cabinet and is flexible enough to cope with the expansion of the Grill Liner when it gets hot. You must also use a bead of outdoor rated clear silicon caulk to seal the grill head into the Grill Liner.

Installing Propane Pull-Out Trays or Roll-Out Trays

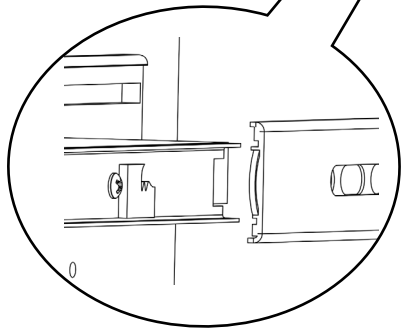
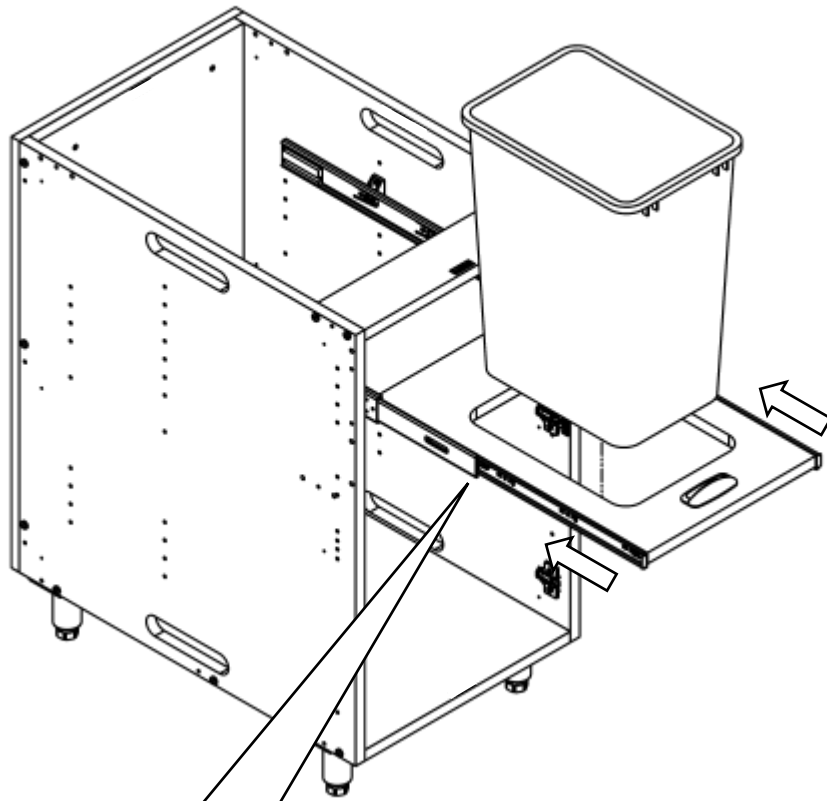


Carefully slide the propane pull-out or roll-out tray into the larger runner members by inserting the smaller runner members into the plastic guides at the front of the larger members. You should hear a 'click' when fully inserted.

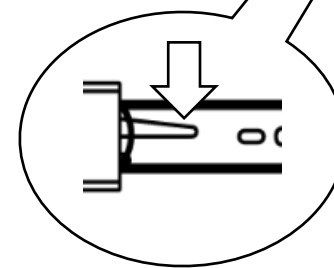
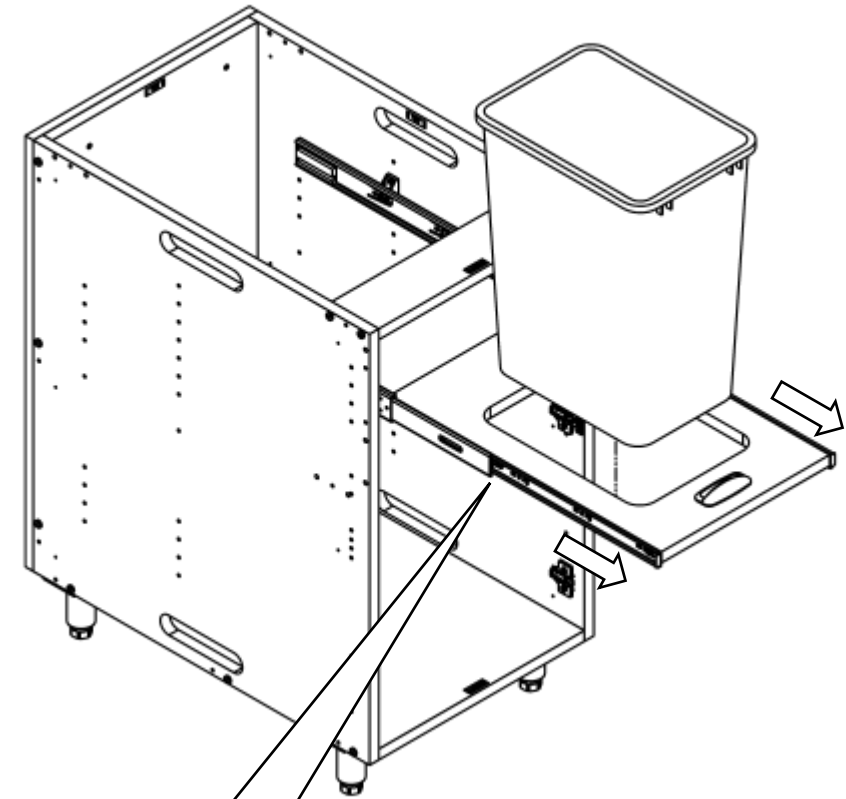
Removing Propane Pull-Out Trays or Roll-Out Trays



Carefully remove the propane pull-out or roll-out tray by pressing down on the white tab pull runner member and pulling apart from larger runner member.

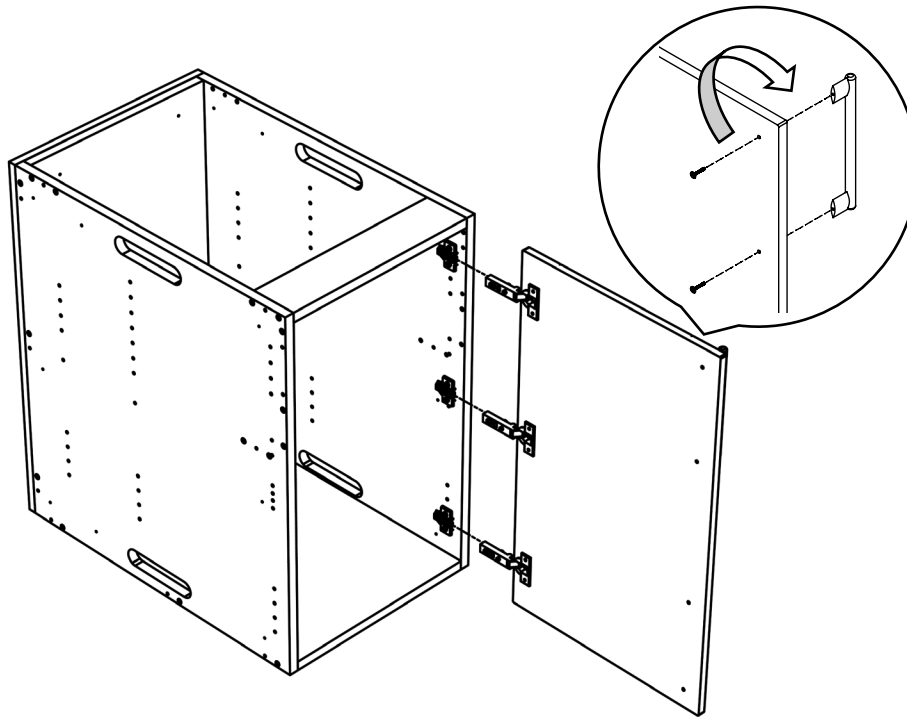
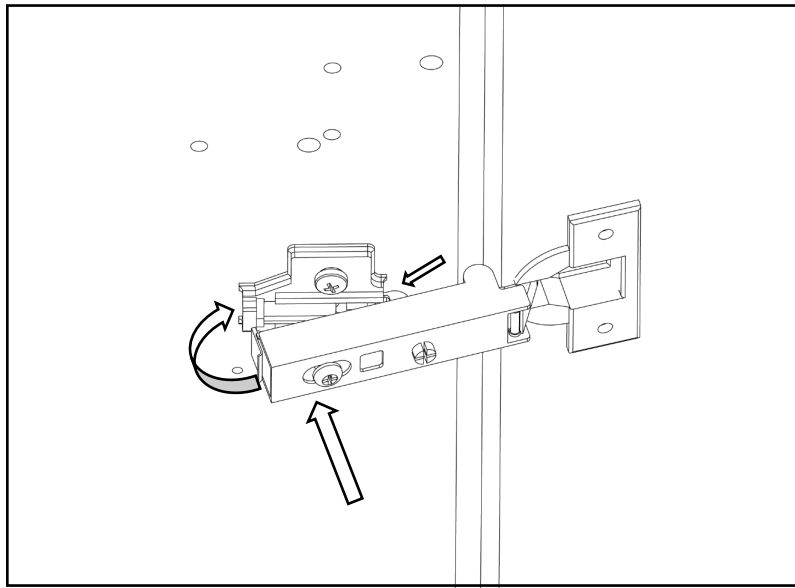


Carefully slide the waste basket pull-out into the larger runner members by inserting the smaller runner members into the plastic guides at the front of the larger members. You should hear a 'click' when fully inserted. Then put waste bin back in.



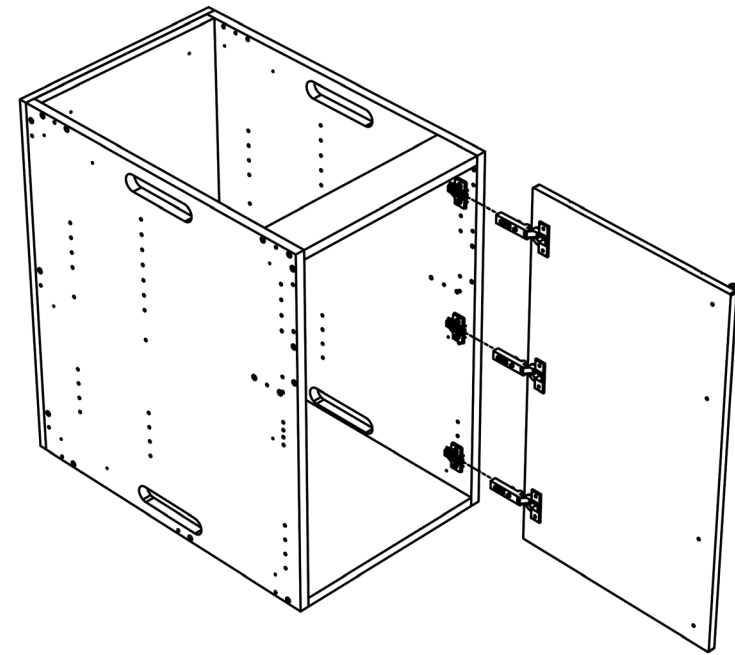
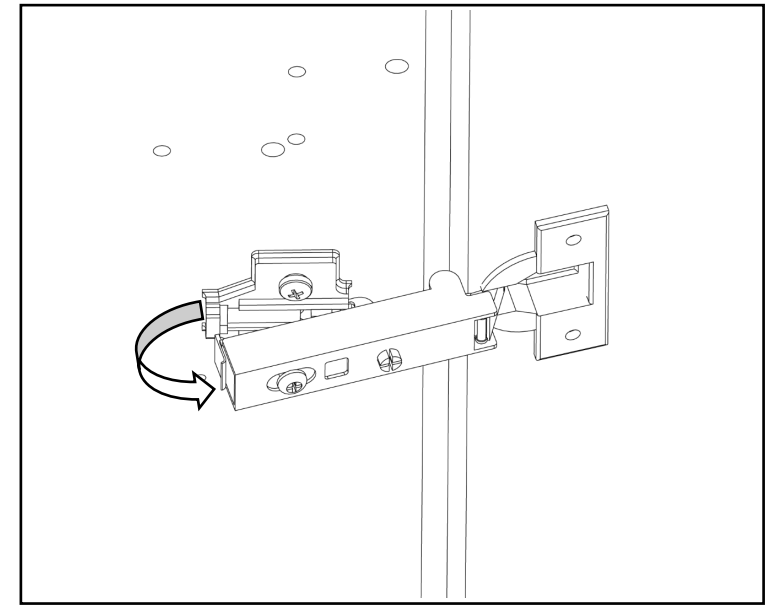
Remove waste basket and then, carefully remove the waste basket pull-out by pressing down on the white tab pull runner member and pulling apart from larger runner member.

Installing Doors



Reattach all doors by locating the small “hooks” on the underside of the Soft-Close Hinge and hook them under the front of the Hinge Plate, then press the back of the hinge towards the plate until it “clicks” into place. Repeat for the remaining hinges.

Removing Doors



Find the latch on the back of each hinge and pull it towards you to disconnect each Soft-Close Hinge from its Hinge Plate. Once you have disconnected each Soft-Close Hinge, carefully remove the door and place it to the side, laying it on a protected surface to avoid any unnecessary damage. Repeat for all doors.

Care and Adjustment Guide

AFTER INSTALLATION CARE

After your cabinets have been installed, wipe down all surfaces with a damp cloth to remove dust. A soft cloth or sponge with mild dishwashing liquid can be used if needed.

EVERYDAY CARE

Salt Water Environments: Oceanfront environments with salt air and sea spray will require regular maintenance and cleaning to prevent rust from forming on the handles, hinges, legs, and drawer runners. Clean stainless steel surfaces several times a month to keep the chemical reaction from the salt from gaining a foothold on the hardware. With regular cleaning, your cabinets will look like new for many years. To achieve maximum corrosion and stain resistance, the surface of the stainless steel must be kept clean.

NEVER use abrasive cleaners, scouring pads, or powdered cleansers.

HARDWARE CARE

Use mild soap and warm water to clean stainless steel legs and door handles. Thoroughly dry hardware surfaces after cleaning. **DO NOT** use silver or brass polish.

GRILL & SIDE BURNER CABINET

Most gas-fed appliances require an insulated jacket when installed near combustible materials. Please refer to your specific island configuration for requirements.

Door Alignment

Cabinets feature a 6-way adjustable hinge that will allow you to adjust and align all the doors after installation

1. The center screw will adjust the door from side to side
2. The top and bottom screws in the hinge plate will allow adjustment up and down
3. The back screw will adjust the door in and out

